

MONITOR WITH DVD RECEIVER

DDX6019/6029 /6029Y/6039

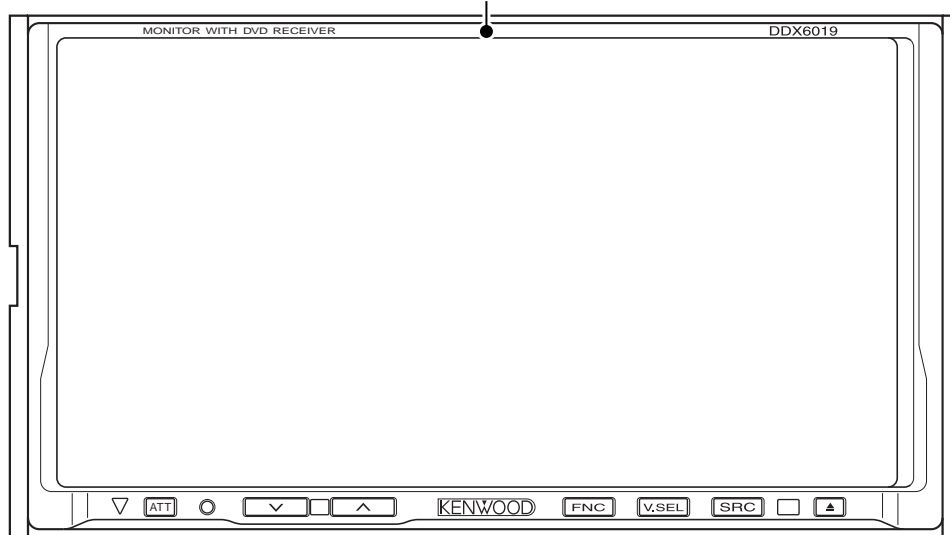
SERVICE MANUAL

KENWOOD

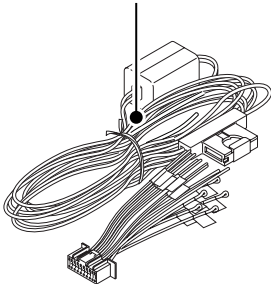
Kenwood Corporation

© 2006-3 PRINTED IN JAPAN
B53-0390-00 (N) 960

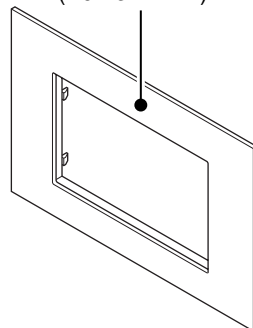
Panel assy
(A64-)*



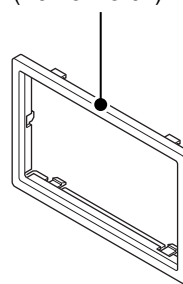
DC cord (DDX6019/6039)
(E30-6530-05)



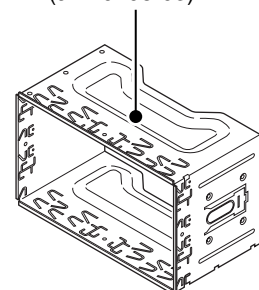
Escutcheon
(B07-3172-12)



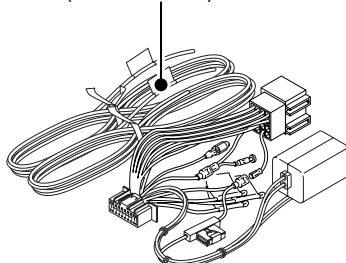
Escutcheon
(B07-3173-01)



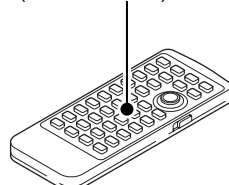
Mounting hardware
(J22-0498-03)



DC cord (DDX6029/6029Y)
(E30-6531-05)

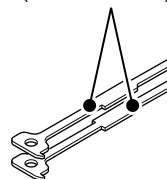


Remote controller assy
(A70-2077-05)

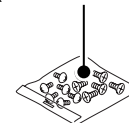


RC-DV430

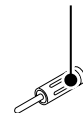
Lever
(D10-4674-04) x 2



Screw set
(DDX6019/6039)
(N99-1776-05)



Antenna adaptor
(DDX6029/6029Y)
(T90-0552-05)

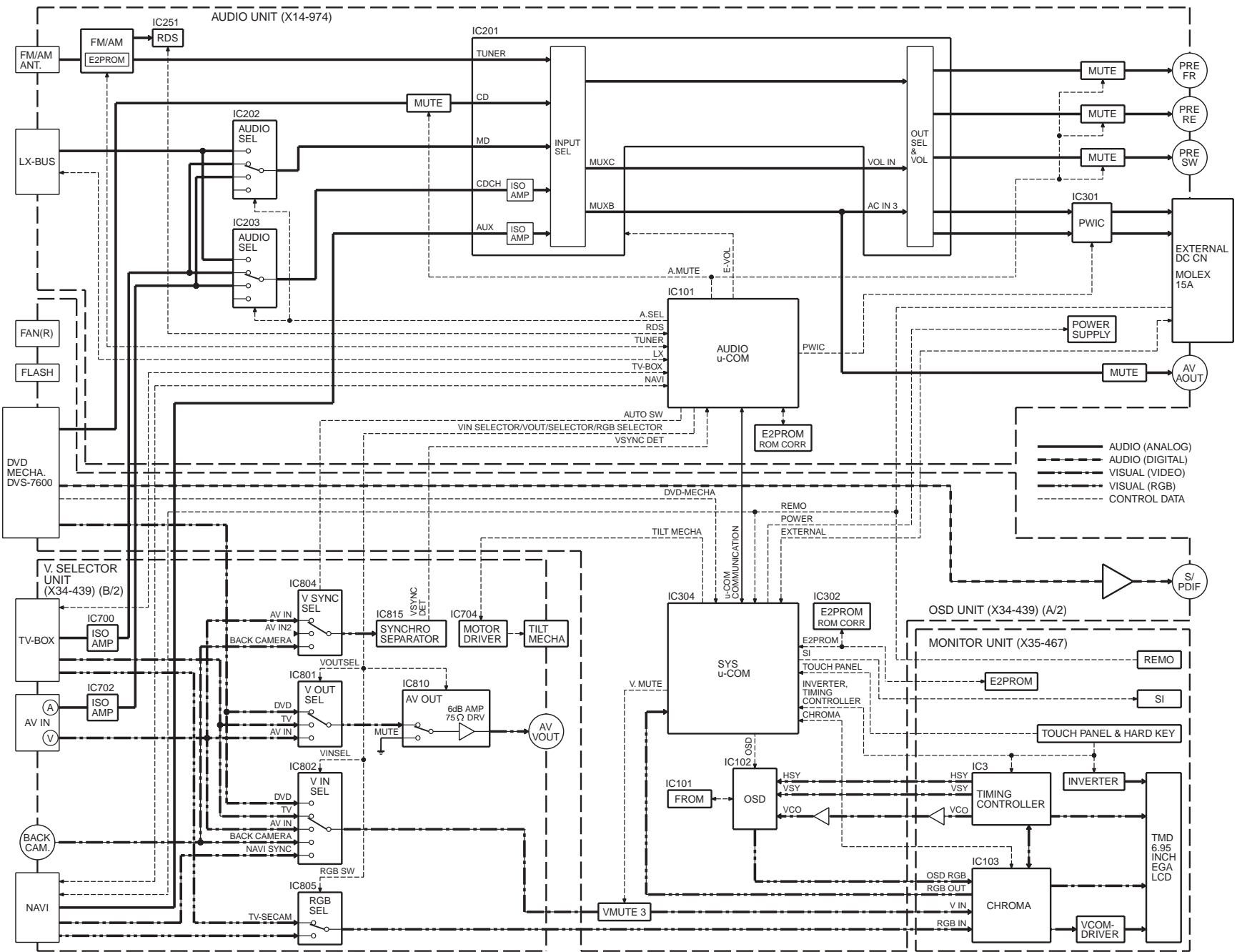


* Refer to the parts list.



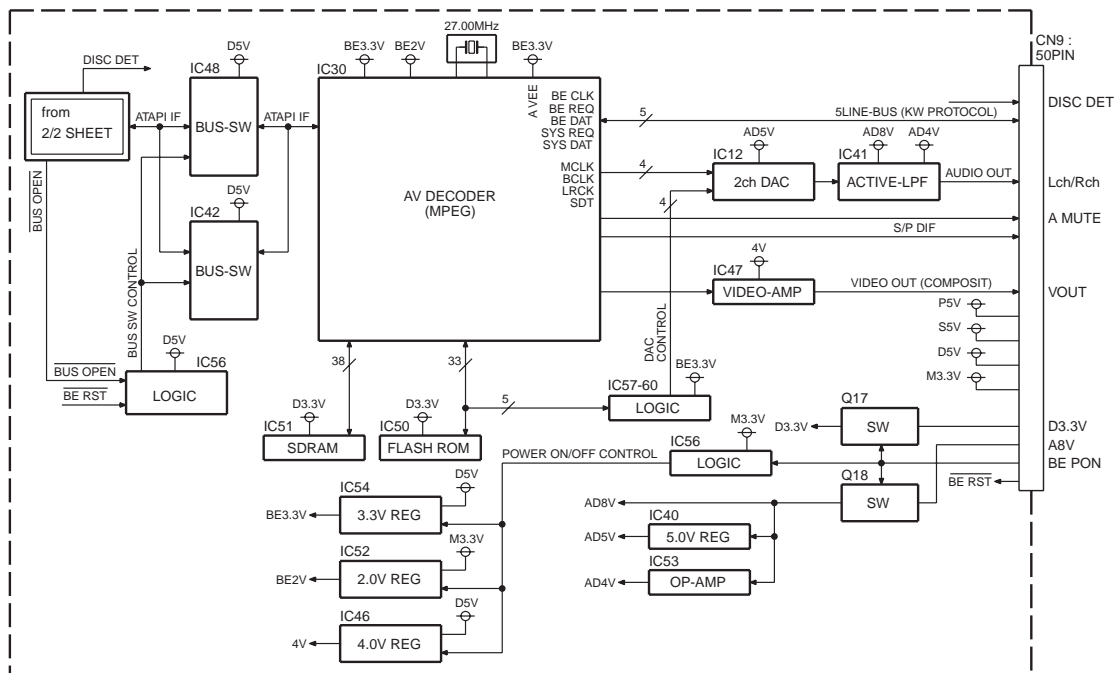
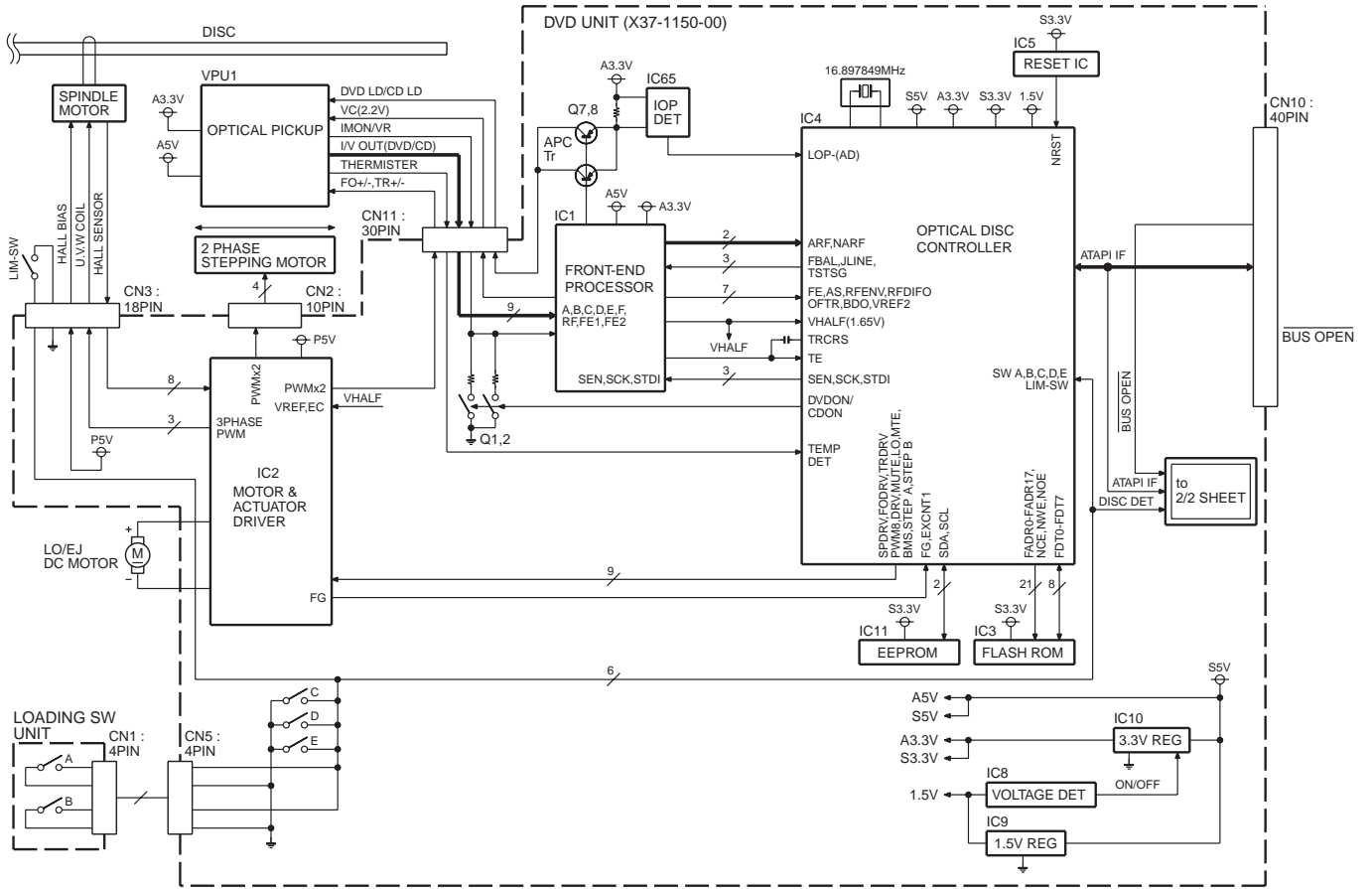
BLOCK DIAGRAM

● Complete view



BLOCK DIAGRAM

● DVD unit (X37-1150)



COMPONENTS DESCRIPTION

● RECEIVER UNIT (X14-974x-xx)

Ref. No	Application / Function	Operation / Condition / Compatibility
IC1	Logic IC (NOR x 4)	Hard MUTE DRIVER
IC5	3 terminal regulator	Audio8V, Tuner8V generating
IC101	100 pin μ -com	Primarily, audio board control
IC104	Voltage detector	μ -com reset voltage (4.2V) monitoring
IC105	Logic IC (inverter)	Reverse reset from X34
IC201	Electronic volume IC	Audio volume control and audio signal selection
IC202	Logic IC (multi plexer)	Audio signal selection (Sub)
IC203	Logic IC (multi plexer)	Audio signal selection (Main)
IC204	Logic IC (AND)	DVD_MUTE 3.3V \rightarrow 5V conversion
IC251	RDS decoder IC	For RDS signal processing and demodulating
IC301	Power IC	Power amplifier for speaker output
IC401	Isolation amplifier IC	For audio signal GND isolation (LX-CH)
Q1	Transistor	Parking detection circuit
Q2	Transistor	Reverse detection circuit
Q3	Transistor	ILLMI detection circuit
Q4	Transistor	ACC detection circuit
Q14,16	Transistor	Bu detection circuit
Q18~21	Transistor	P_CON output circuit
Q22,23	Transistor	ANT_CON output circuit
Q24	Transistor	EXT_CONT output circuit
Q25	Transistor	Generating Bu5V
Q26	Transistor	Bu5V circuit
Q27,28	Transistor	SW5V circuit
Q29	Transistor	SW14V circuit
Q30	FET	SW14V circuit
Q31,32,34	Transistor	Hard MUTE circuit
Q42~44	Transistor	
Q45	Transistor	Audio8V, Tuner8V generating
Q101~103	Transistor	μ -com reset circuit
Q201	Transistor	Audio SEL circuit (ASEL4)
Q202	Transistor	Audio SEL circuit (ASEL3)
Q203	Transistor	Audio SEL circuit (ASEL2)
Q204	Transistor	Audio SEL circuit (ASEL1)
Q205,206	Transistor	DVD_MUTE
Q207	Transistor	DVD_MUTE circuit
Q253,255	Transistor	On when AM (Tuner8V)
Q301	Transistor	Pre-Out Mute (FL)
Q302	Transistor	Pre-Out Mute circuit (Front, Rear)
Q303	Transistor	Pre-Out Mute (FR)

COMPONENTS DESCRIPTION

Ref. No	Application / Function	Operation / Condition / Compatibility
Q304	Transistor	Pre-Out Mute (RL)
Q305	Transistor	Pre-Out Mute (RR)
Q306	Transistor	Pre-Out Mute (SUB L)
Q307	Transistor	Pre-Out Mute circuit (SUB)
Q308	Transistor	Pre-Out Mute (SUB R)
Q309	Transistor	Pre-Out Mute (AV-OUT L)
Q310	Transistor	Pre-Out Mute circuit (AV-OUT)
Q311	Transistor	Pre-Out Mute (AV-OUT R)

● ELECTRIC UNIT (X34-439x-xx)

Ref. No	Application / Function	Operation / Condition / Compatibility
IC1,2	DC-DC control IC	DC-DC circuit control/drive
IC3	5.0V 3 terminal regulator	Power supply for S5.0V
IC4	5.0V 5 terminal regulator	Power supply for D5.0V
IC5	3.3V 5 terminal regulator	Power supply for D3.3V
IC60	3.3V 3 terminal regulator	Power supply for BU3.3V
IC101	OSD ROM	ROM for OSD display
IC102	OSD IC	IC for OSD display
IC210	Inverter	For amplifying clock for OSD
IC211	AND	HSYNC delay
IC301	AND	3.3V→5.0V conversion
IC302	E2PROM	Nonvolatile memory
IC303	RESET IC	For SYSCOM reset
IC304	SYS μ COM	System control
IC305	AND	Remote control and wired remote control
IC401	OR	Buffer for SPDIF
IC600	DC-DC control IC	DC-DC circuit control/drive
IC601	Schmitt trigger inverter	Remote control waveform shaping
IC603	AND	VSYNC delay
IC700	ISO AMP	For TV_R, TV_L
IC702	ISO AMP	For AVIN1_R, AVIN1_L
IC703	AND	Buffer for NAVI_REMO
IC704	Motor driver	For tilt mechanism
IC801	SW for AVOUT	Selection of TV, AVIN1, DVDIN
IC802	SW for VIN	Selection of TV, AVIN1, DVDIN, BCAME, NAVISYNC
IC804	SW for sync separation	Selection of BCAME, AVIN1/AVIN2
IC805	Video SW	Selection of TV R/G/B, NAVI R/G/B
IC810	Driver	75 Ω driver and 6dB amplifier
IC812	5.0V 3 terminal regulator	Power supply for SW5.0V

COMPONENTS DESCRIPTION

Ref. No	Application / Function	Operation / Condition / Compatibility
IC815	Sync separation IC	Sync separation
Q3,5	Short detection circuit	For SW5.0V
Q7,8	Short detection circuit	For SW8.5V
Q60,61	SW	For SW3.3V
Q101	Emitter follower	Current amplification and buffer for OSD_R signal
Q102	Emitter follower	Current amplification and buffer for OSD_G signal
Q103	Emitter follower	Current amplification and buffer for OSD_B signal
Q105,106	Emitter follower	Current amplification and buffer for X35_VIN
Q301	SW	For X34_RST
Q302	SW	For KEY_RESET
Q307,308	SW	For SI
Q404	Emitter follower	Current amplification and buffer for DVS_DVDIN
Q600,601	Short detection circuit	For BL9.0V
Q602,603	SW	For KEY_ILL
Q800	Emitter follower	Current amplification and buffer for ROUT
Q801	Emitter follower	Current amplification and buffer for GOUT
Q802	Emitter follower	Current amplification and buffer for BOUT
Q803	Emitter follower	Current amplification and buffer for VIN
Q804	MUTE circuit	For ROUT
Q805	MUTE circuit	For GOUT
Q806	MUTE circuit	For BOUT
Q807	MUTE circuit	Reverse

● VIDEO UNIT (X35-467x-xx)

Ref. No	Application / Function	Operation / Condition / Compatibility
IC1	AND	IC3 VSYNC input signal buffer
IC2	NOT	HSY signal reverse
IC3	Timing controller	LCD drive timing control IC
IC4	LPF	PLL circuit
IC5	Flip-flop	HSY, VSY phase matching circuit
IC6	3 state buffer	HSY, VSY phase matching circuit
IC7	NAND	2/3 divided circuit
IC8	NOR	2/3 divided circuit
IC9	2-in-1 flip-flop	2/3 divided circuit
IC11	NOT	2/3 divided circuit
IC12	AND	2/3 divided circuit
IC13	OR	2/3 divided circuit
IC14	NOT	2/3 divided circuit
IC100	One shot	Timing matching

COMPONENTS DESCRIPTION

Ref. No	Application / Function	Operation / Condition / Compatibility
IC101	OR	IC103 video switching signal line
IC102	NOT	Makes the signal negative
IC103	Chroma γ IC	Chroma decoder, γ correction video signal processing IC
IC104	AND	IC103 VMUTE signal line
IC106	NOT	Reversing video mask signal from IC3
IC200	5V regulator	Video system 5V generation
IC201	3.3V regulator	Video system 3.3V generation
IC202	DC/DC, Charge pump	Power supply generation for LCD
IC204	Inverter IC	For inverter transformer drive
IC205	E2PROM	Saving γ adjustment value, etc.
IC207	5V regulator	IC202 power supply
Q1	Oscillating circuit	PLL circuit
Q2	For Reversing	HSY, VSY phase matching circuit
Q3~6	Buffer	2/3 divided circuit
Q100	Buffer	Composite signal line
Q102	Mute	C. SYNC line
Q103	Buffer	B signal line
Q104	Buffer	G signal line
Q105	Buffer	R signal line
Q106	Buffer	VCOM signal line
Q107	For reversing	Switching NTSC/PAL *For 2-71 destination only
Q208	5V AVR	IC204 5V power supply generation
Q210	For reversing	IC204 PWM signal line
Q215	Switching FET	Full bridge construction with Q216
Q216	Switching FET	Full bridge construction with Q215
Q217~220	Switching	Touch panel I/F
Q221	For reversing	Touch panel I/F

● DVD UNIT (X37-1150-00)

Ref. No	Application / Function	Operation / Condition / Compatibility
IC1	RF signal processing IC	RF signal processing
IC2	Driver	Driver for each motor / pick-up actuator
IC3	FLASH ROM	Maintaining FW for optical disc control IC
IC4	Optical disc control IC in μ -com	Optical disc general control / ATAPI interface
IC5	Voltage detection IC	For resetting optical disc control IC
IC8	Voltage detection IC	For power supply voltage monitoring
IC9	Power supply IC for S1.5V	S5V→S1.5V
IC10	Power supply IC for S3.3V	S5V→S3.3V
IC11	EEPROM	Maintaining data for optical disc control IC

COMPONENTS DESCRIPTION

Ref. No	Application / Function	Operation / Condition / Compatibility
IC12	2ch D/A converter	Convert audio digital signal to analog signal
IC30	DVD processor	MPEG decoder function processor (AV decoder)
IC40	Power supply IC for A5V	A8V→A5V
IC41	OP-AMP (with 2 circuits)	For analog audio signal active LPF
IC42	20bit BUS-SW	FE portion's ATAPI connection destination switching
IC46	Power supply IC for video AMP	D5V→4V
IC47	Video AMP	6dB amplifier with LPF
IC48	8bit BUS-SW	FE portion's ATAPI connection destination switching
IC50	FLASH ROM	FW maintaining for DVD processor
IC51	SDRAM IC	SDRAM for DVD processor
IC52	Power supply IC for BE2V	M3.3V→BE2V
IC53	OP-AMP (with 1 circuit)	Buffer for analog audio reference potential
IC54	Power supply IC for BE3.3V	D5V→BE3.3V
IC56	CMOS logic IC	FE portion's ATAPI connection destination switching control
IC57~61	CMOS logic IC	D/A converter control
IC62	CMOS logic IC	BE-PON signal output level assurance
IC65	Rail-to-rail OP-AMP	Buffer for IOP value detection
Q1	MOS-FET	Laser diode for DVD ON/OFF control
Q2	MOS-FET	Laser diode for CD ON/OFF control
Q7	Transistor for APC	Laser diode for CD brightness volume control
Q8	Transistor for APC	Laser diode for DVD brightness volume control
Q9	MOS-FET	For protection of laser diode for CD
Q10	MOS-FET	For protection of laser diode for DVD
Q11	Transistor with resistance included	LO-MUTE signal control
Q12	Transistor with resistance included	FG signal control
Q13	Transistor with resistance included	BMS signal control
Q14	Transistor with resistance included	DRMU signal control
Q16	J-FET	For stabilizing analog audio reference potential
Q17	MOS-FET	D3.3V switching control 1
Q18	Transistor	A8V switching control 1
Q19	Transistor with resistance included	A8V switching control 2
Q20	Transistor with resistance included	D3.3V switching control 2
Q21	Pch MOSFET	Buffer for IOP value detection
Q22	Transistor with resistance included	Power supply ON/OFF control for high-frequency superposition

MICROCOMPUTER'S TERMINAL DESCRIPTION

● SYSTEM MICROCOMPUTER: 703266YGJ504A (X34: IC304)

Pin No.	Pin Name	I/O	Application	Truth value table	Processing Operation Description
1	AVREF0				
2	AVSS				
3	VMUTE3	O	MUTE to free-run timing controller		H: When FULL OSD, L: When EXCEPT
4	VMUTE2	O	Switching chroma input SYNC		H: When FULL OSD, L: EXCEPT
5	AVREF1				
6	PWM	O	DIM_PWM output timing count		Duty100%: Brightness MAX, 150Hz
7	HSY	I	Backlight (BRIGHT) brightness adjustment		Normally: PMW CLK for control Chroma adjustment mode: RGB timing detection
8	FLMD0				
9	VDD				
10	REGC				
11	VSS				
12	X1				
13	X2				
14	RESET				
15	XT1				
16	XT2				
17	OSD_RST	O	Reset to OSD-IC		L: RESET
18	VSY	I	PWM output trigger		
19	SRC	I	Source KEY detection		L: SOURCE pressed
20	DRST	O	NC		L fixed
21	OSD_CS	O	Chip select to OSD-IC		
22~24	NC	O	NC		LOW is fixed at L
25	DVS_SYS_DATA	O	Data output to DVS-7600		
26	DVS_BE_DATA	I	Data input from DVS-7600		
27	DVS_BE_CLK	I	Clock input from DVS-7600		
28,29	NC	O	NC		L fixed
30	REMO	I	Remote control data input		
31	NC	O	NC		L fixed
32	NC	O	NC		L fixed
33	EVSS				
34	EVDD				
35	S_SDA/ S_ROM_CORR	I/O	ROM correction E2PROM communication data input/output	④	Please refer to the truth value table for slave address
35	S_SDA/E2P_SDA	O	Chroma IC adjustment E2PROM control		E2PROM communication
36	S_SCL/ S_ROM_CORR	O	ROM correction E2PROM communication clock output	④	Please refer to the truth value table for slave address
36	S_SCL/E2P_SCL	O	Chroma IC adjustment E2PROM control		E2PROM communication
37	REG_F-	O	SWReg external sync		Pulse output. Reversed phase of REG_F+
38	REG_F+	O	SWReg external sync		Pulse output
39	NC	O	NC		L fixed
40	CRM_CS	O	Chroma IC control (RB5P0090)		

MICROCOMPUTER'S TERMINAL DESCRIPTION

Pin No.	Pin Name	I/O	Application	Truth value table	Processing Operation Description
41	CRM_SDA	O	Chroma IC control (RB5P0090)		
42	CRM_SCL	O	Chroma IC control (RB5P0090)		
43~47	NC	O	NC		L fixed
48	DAC_MUTE	O	MUTE control to audio μ -com		H: MUTE OFF, L: MUTE ON
48	NC	O	NC		LOW is fixed at L
49	NC	O	NC		L fixed
50	OSD_DATA	O	Data to OSD-IC		
51	OSD_CLK	O	Clock to OSD-IC		
52~58	NC	O	NC		L fixed
59	SYS_SREQ	I	AUDIO_COM communication request input		
60~63	NC	O	NC		L fixed
64	SYS_MUTE	O	When ACC_OFF, MUTE DRIVER control		H: MUTE ON
65	A_PON	I	A_PON (Input from Audio)		
66	SYS_ON	O	AUDIO_COM communication control output		H: Start up request to AUDIO μ -com
67	SYS_MREQ	O	AUDIO_COM communication request output		
68	SYS_SDATA	I	AUDIO_COM communication data input		
69	SYS_MDATA	O	AUDIO_COM communication data output		
70	SYS_M_CLK	O	AUDIO_COM communication clock output		
71	S_FLASH_MDATA	I	For flash writing		ROM writer communication
72	S_FLASH_SDATA	O	For flash writing		ROM writer communication
73	S_FLASH_CLK	I	For flash writing		ROM writer communication
74	BL_DET	O	Not used (backlight error detection)		LOW fixed
75	S_BU_DET	I	BU detection		H: BU reduced voltage detection
76	NC	O	NC		LOW is fixed at L
77	ACC_DET	I	ACC detection		L: ACC ON detection
78	ILLUMI	I	ILL detection		L: Illumi ON
79	PARKING	I	Parking detection		H: Parking ON
80	REVERSE	I	Reverse detection		L: Reverse ON
81	NC	O	NC		L fixed
82	PON	O	Power supply control output		H: PON
83	POWER_DET	I	Power supply error detection		L: SW14V short
84	MCNT	O	Motor driver voltage switching tilt mechanism 8V		H: Mechanism speed down
85~87	NC	O	NC		L fixed
88	S_TYPE0	I	Destination determination K,R,E,M,X,V	①	Refer to the truth value table
89	S_TYPE1	I	Destination determination K,R,E,M,X,V	①	Refer to the truth value table
90	S_TYPE2	I	Destination determination K,R,E,M,X,V	①	Refer to the truth value table
91	S_WRT_E2P	I	Used when writing E2P		H: When writing E2PROM
92	JIG_EJ	I	Forced mechanism open		H: Open (for assuring)
93,94	NC	O	NC		L fixed
95	NC	O	NC		Fixed at L when LOW
96	DISC_DET	I	Disc detection		L: Disc IN
97	NC	O	NC		L fixed (LOW)
98	DVS_BE_REQ	I	DVS-7600 communication request input		

MICROCOMPUTER'S TERMINAL DESCRIPTION

Pin No.	Pin Name	I/O	Application	Truth value table	Processing Operation Description
99	DVS_SYS_REQ	O	DVS-7600 communication request output		
100	NC	O	NC		L fixed (LOW)
101	DVS_BE_PON	O	DVS-7600 power supply control		H: PON (LOW)
102	DVS_BE_RST	O	DVS-7600 reset		
103	BVSS				
104	BVDD				
105	TILT_M+	O	Reversed tilt mechanism motor control + CLOSE	⑤	Refer to the truth value table
106	TILT_M-	O	Reversed tilt mechanism motor control - OPEN	⑤	Refer to the truth value table
107~109	NC	O	NC		LOW is fixed at L
110	FLMD1		NC		L fixed
111~114	NC	O	NC		LOW is fixed at L
115	NC	O	NC		L fixed
116	BL_ENA	O	Backlight ON/OFF		H: Backlight ON, L: Backlight OFF
117	MONI_SEL	O	Monitor output switching		H: NAVI, TV (SECAM), L: EXCEPT
118	VMUTE1	O	When switching video source, when V_OFF screen MUTE		H: MUTE ON
119	HPOS3	O	HPOSI switching for each video source	③	Refer to the truth value table
120	NT/PAL	O	Sync separation IC control		L: NTSC, H: PAL
121	HPOS2	O	HPOSI switching for each video source	③	Refer to the truth value table
122	MODE3	O	Screen mode switching	②	Refer to the truth value table
123	HPOS1	O	HPOSI switching for each video source	③	Refer to the truth value table
124	MODE1	O	Screen mode switching	②	Refer to the truth value table
125	MODE2	O	Screen mode switching	②	Refer to the truth value table
126	MIRROR	O	Mirror MODE switching		H: Mirror, L: Normal
127	HPOS4	O	HPOSI switching for each video source	③	Refer to the truth value table
128	X1	O	Touch panel X axis standard voltage control		
129	TL_DET	I	SW8V reduced voltage detection		H: Reduced voltage detection
130	TILT_POS	I	Reversed tilt mechanism position detection		
131	NC	O	NC		Low: L fixed
132	VR	I	Video input when adjusting chroma IC		
133	VG	I	Video input when adjusting chroma IC		
134	VB	I	Video input when adjusting chroma IC		
135	VCOM	I	VCOM input when adjusting chroma IC		
136	X0	O	Touch panel X axis GND control		
137	Y0	O	Touch panel Y axis GND control		
138	X_DATA	I	Touch panel voltage detection		X direction voltage detection
139	Y_DATA	I	Touch panel voltage detection		Y direction voltage detection
140	KEY4	I	Monitor panel KEY 4 individual detection		VOL→ATT→FNC→VSEL (priority order)
141	VOL+	I	Monitor panel VOL+ KEY individual detection		L: VOL+ pressed
142	OPEN/CLOSE	I	OPEN/CLOSE KEY detection		L: OPEN/CLOSE pressed
143	KEY_ILL	O	Monitor panel KEY illumi control		H: Monitor KEY illumi ON
144	SI	O	Security indicator control		L: OFF, H: ON

MICROCOMPUTER'S TERMINAL DESCRIPTION

Truth value table

① Destination setting

Destination	TYPE2	TYPE1	TYPE0
K	0	0	1
E	0	1	0
M	0	1	1
V/X	1	0	0
R	1	1	1

③ Screen position

Monitor source	HPOS1	HPOS2	HPOS3	HPOS4
FULL OSD	0	0	0	0
NTSC	0	1	0	0
PAL	0	0	1	0
SECAM	1	1	1	0
NAVI	0	1	0	0

② Screen mode

MODE	MODE 1	MODE 2	MODE 3
FULL	0	0	0
NORMAL	1	0	0
WIDE	0	1	0
ZOOM	1	1	0

④ E2PROM slave address

IC name	Application	A2	A1	A0
BR24C01AFV	Normal use	0	0	0
BR24L02FV	ROM correction	1	1	0

⑤ Reversed tilt motor driver

Mechanism operation	TILT_M+	TILT_M+
Stop	0	0
OPEN	0	1
CLOSE	1	0
Brake	1	1

● AUDIO MICROCOMPUTER: 703030BYGCJ26 (X14: IC101)

Pin No.	Pin Name	I/O	Application	Truth value table	Processing Operation Description
1	TUN_TYPE0	I	TUNER destination		L fixed
2	TUN_SCL	O	F/E I2C clock output terminal		
3	NAV_RX	I	Navi control data input		
4	NAV_TX	O	Navi control data output		
5	TUN_TYPE1	I	TUNER destination		L fixed
6	EVDD				
7	EVSS				
8	EXT_CON	O	EXT-CONT output		
9	NC	O			L fixed
10	VSYNC_DET	I	Video detection, NTSC/PAL determination		NTSC: 50Hz, PAL: 60Hz
11	NC	O			L fixed
12	SYS_MDATA	I	SYS_COM communication data output		
13	SYS_SDATA	O	SYS_COM communication data input		
14	SYS_MCLK	I	SYS_COM communication clock input		
15	NC	O			L fixed
16	AUTO_SW_2	O	Video detection, NTSC/PAL determination		H: When AVIN2 (to ensure a port) In practice, fixed to L (AVIN/BACK CAM)
17	BEEP	O	BEEP		When BEEP: Pulse output
18	IC/VPP				
19	AUTO_SW	O	Video detection, NTSC/PAL determination		H: AVIN, L: BACK CAMERA
20	TV_MC_REQ	O	Communication request to TV_COM		

MICROCOMPUTER'S TERMINAL DESCRIPTION

Pin No.	Pin Name	I/O	Application	Truth value table	Processing Operation Description
21	TV_SC_CON	O	Start-up request to TV_COM		
22	TV_JUDGE	I	TV-BOX new/old detection		
23	VOUT_MUTE3	O	V. OUT MUTE	③	Refer to the truth value table
24	VOUT_SEL1	O	V. OUT selector (BA7649)	③	Refer to the truth value table
25	VOUT_SEL2	O	V. OUT selector (BA7649)	③	Refer to the truth value table
26	VSEL1	O	V. IN selector (BA7649)	②	Refer to the truth value table
27	VSEL2	O	V. IN selector (BA7649)	②	Refer to the truth value table
28	VSEL3	O	V. IN selector (BA7649)	②	Refer to the truth value table
29	RGB_MUTE	O	MUTE RGB except when NAVI or SECAM	②	Refer to the truth value table
30	RGB_SW	O	Switch NAVI/SECAM	②	Refer to the truth value table
31	RESET				
32	XT1				
33	XT2				
34	REGC				
35	X2				
36	X1				
37	VSS				
38	VDD				
39	CLKOUT				
40	NC	O			L fixed
41	PWIC_STBY	O	PWIC standby		H: POWER ON, L: POWER OFF
42	PWIC_MUTE	O	PWIC_FR MUTE		L: MUTE ON
43	P_CON	O	P-CON control output		L: When STANDBY or POWER OFF H: EXCEPT
44	ANT_CON	O	P-ANT control output		H: ANT UP, L: ANT DOWN
45	AM+B	O	AM power supply ON		H: When AM, L: EXCEPT
46	PRE_MUTESW	O	PREout sub woofer MUTE		H: MUTE OFF, L: MUTE ON
47	PRE_MUTER	O	PREout rear MUTE		H: MUTE OFF, L: MUTE ON
48	PRE_MUTEF	O	PREout front MUTE		H: MUTE OFF, L: MUTE ON
49	SYS_MREQ	I	SYS_COM communication request output		
50	SYS_SREQ	O	Communication request to SYS_COM		
51	LX_CON/LX_CON	O	Start-up request to slave unit		
52	LX_REQ_M/LX_REQ_M	O	Communication request to the slave unit		
53	LX_RST/LX_RST	O	Hardware-reset to slave unit		
54	LX_MUTE/LX_MUTE	I	MUTE request from slave unit		
55	BVDD				
56	BVSS				
57	AIN_SEL1	O	For ASEL (LOW only)	④	Refer to the truth value table
58	AIN_SEL2	O	For ASEL (LOW only)	④	Refer to the truth value table
59	AIN_SEL3	O	For ASEL (LOW only)	④	Refer to the truth value table
60	AIN_SEL4	O	For ASEL (LOW only)	④	Refer to the truth value table
61	AUD_MUTE0	O	E-VOL front MUTE		L: MUTE ON, H: MUTE OFF
62	AUD_MUTE1	O	E-VOL rear MUTE		L: MUTE ON, H: MUTE OFF
63	AUD_MUTE2	O	E-VOL center, SWMUTE		L: MUTE ON, H: MUTE OFF

MICROCOMPUTER'S TERMINAL DESCRIPTION

Pin No.	Pin Name	I/O	Application	Truth value table	Processing Operation Description
64	AUD_MUTEA	O	E-VOL inputSEL_A MUTE		L: MUTE ON, H: MUTE OFF
65	AUD_MUTEB	O	E-VOL inputSEL_B MUTE		L: MUTE ON, H: MUTE OFF
66	AUD_MUTE_C	O	E-VOL inputSEL_C MUTE		L: MUTE ON, H: MUTE OFF
67	AUD_SDA/ A_RCORR_SDA	I/O	ROM correction E2PROM communication data input/output		
67	AUD_SDA/AUD_SDA	I/O	E-VOL data output		
68	AUD_SCL/ A_RCORR_SCL	O	ROM correction E2PROM communication clock input/output		
68	AUD_SCL/AUD_SCL	O	E-VOL clock output		
69	A_PON	O	SW5V ON/OFF		H: Output only when in RESET sequence L: Other output
70	NC	O	NC		L fixed
71	AVDD				
72	AVSS				
73	AVREF				
74	LINE_MUTE	I	LINE-MUTE input detection		Normal: 1.6V, TEL MUTE: 1V or lower, NAVI MUTE: 2.5V or higher
75	A_WRT_E2P	I	Used when writing E2PROM		H: When writing E2PROM
76	A_TYPE0	I	Destination determination	①	Refer to the truth value table
77	A_TYPE1	I	Destination determination	①	Refer to the truth value table
78	A_TYPE2	I	Destination determination	①	Refer to the truth value table
79	A_TYPE3	I	Destination determination	①	Refer to the truth value table
80	PWIC_DCDET	I	SP_FR output DC offset detection		L: When detected
81	TUN_SMET	I	S meter input		
82	TUN_IFC	I	F/E IFC OUT input terminal		H: Station found, L: Station not found
83	R_QUAL	I	RDS decoder QUAL input terminal		
84	R_DATA	I	RDS decoder DATA input terminal		
85	R_NOISE	I	FM noise detection terminal		
86	R_AFS_H/R_AFS_H	I/O	Switching constant when noise detected		
87	R_CLK/R_CLK	I	RDS decoder CLK input terminal		
88	A_BU_DET	I	BU reduced voltage detection		H: Reduced voltage detection
89	SYS_ON	I	SYS_COM communication control input		H: Start up request from AUDIO μ -com
90	TV_SC_REQ	I	Communication request from TV_COM		
91	M_MUTE	I	MUTE request from system μ -com		L: MUTE request
92	LX_REQ_S/LX_REQ_S	I	Communication request from slave unit		
92	LX_REQ_S/NC	O			Fixed to L only when CH
93	NC	O			L fixed
94	TV_SC_DATA/ TV_SC_DATA	I	DATA input from TV_COM		
95	TV_MC_DATA/ S_TV_MC_DATA	O	DATA output to TV_COM		
96	TV_BP_CLK/TV_BP_CLK	O	CLK output to TV_COM		
97	LX_DATA_S/LX_DATA_M	I	Data from slave unit		
98	LX_DATA_M/LX_DATA_M	O	Data to slave unit		

MICROCOMPUTER'S TERMINAL DESCRIPTION

Pin No.	Pin Name	I/O	Application	Truth value table	Processing Operation Description
99	LX_CLK/LX_CLK	O	LX BUS clock		
100	TUN_SDA	I/O	F/E I2C data input/output terminal		

Truth value table

① Destination setting

Model	Destination	TYPE3	TYPE2	TYPE1	TYPE0
DDX-CH	M	0	0	1	1
	V/X	0	1	0	0
	X	0	1	0	1
DDX6019	K	1	0	0	1
DDX6029/6029Y	E	1	0	1	0
DDX6039	M	1	0	1	1
	V/X	1	1	0	0
	R	1	1	1	1

② AV selector control 1

Monitor source	VSEL1	VSEL2	VSEL3	RGB_SW	RGB_MUTE	
TV (NTSC, PAL)	0	0	0	0	0	0
AVIN	0	1	0	0	0	0
DVD	1	0	0	0	0	0
R CAMERA	1	1	0	0	0	0
NAVI	*	*	1	1	1	1
TV (SECAM)	0	0	0	0	0	1
FULL OSD	*	*	*	0	0	0

*: Don't care

③ AV selector control 2

AV OUT source	VOUT_SEL1	VOUT_SEL2	VOUT_MUTE3
DVD	0	1	0
AVIN	1	0	0
TV	0	0	0
OFF	*	*	1

*: Don't care

④ AV selector control 3: IC201 (IC2-6) input

	TC4052BFT			
	IC203		IC202	
	MAIN		SUB	
	A	B	A	B
Monitor source	AIN_SEL_1	AIN_SEL_2	AIN_SEL_3	AIN_SEL_4
TV	1	1	1	1
LX	0	1	*	*
AVIN2 (Not used)	1	0	1	0
AVIN1	0	0	0	0

*: Don't care (no LX on SUB)

MICROCOMPUTER'S TERMINAL DESCRIPTION

● DISC CONTROLLER MICROCOMPUTER: MN103S71F (X37: IC4)

Pin No.	Pin Name	I/O	Application
1	SW_2	I	8cm Ej-STOP, Lo-START detection
2	SW_3	I	Lo-START detection
3	CDON	O	CD-LD ON
4	VDD3	-	VDD (3.3V)
5	VSS	-	VSS
6	FG	I	Motor FG input
7	SW_4	I	Lo-END detection
8,9	FADR17,18	O	Address output to FLASH
10	FADR11	O	Address output to FLASH
11	FADR9	O	Address output to FLASH
12	VDD15	-	VDD (1.5V)
13	FADR8	O	Address output to FLASH
14,15	FADR13,14	O	Address output to FLASH
16	NWE	O	Right signal output to FLASH
17,18	FADR16,15	O	Address output to FLASH
19	DRAMVDD15	-	DRAM power supply (1.5V)
20	DRAMVSS	-	VSS for DRAM
21	VSS	-	VSS
22	FADR12	O	Address output to FLASH
23~30	FADR7~0	O	Address output to FLASH
31	VSS	-	VSS
32	VDD3	-	VDD (3.3V)
33~40	FDT0~7	I/O	Data input/output with FLASH
41	NCE	O	Chip select signal output to FLASH
42	FADR10	O	Address output to FLASH
43	NOE	O	Read signal output to FLASH
44	MMOD	I	Test mode switching signal
45	NRST	I	Reset input
46	VSS	-	VSS
47	SCLOCK	I/O	Dwire clock terminal
48	SDATA	I/O	Dwire data terminal
49	TxD/EXTRG0	I/O	Serial transmission/ Dwire trigger terminal
50	RxD/EXTRG1	I/O	Serial reception/ Dwire trigger terminal
51	VDD3	-	VDD (3.3V)
52	OSCI	I	Oscillation input (16.897849MHz)
53	OSCO	O	Oscillation output (16.897849MHz)
54	VSS	-	VSS
55	OFS_TE	O	CD TE offset cancel output
56	DRV1	O	Drive output for spindle drive

Pin No.	Pin Name	I/O	Application
57	DRV2	O	Focus balance adjustment output
58	DVDON	O	DVD-LD ON
59	STEP_A	O	Thread control output A
60	STEP_B	O	Thread control output B
61	Lo/Ej	O	Lo/Ej control terminal
62	LO.MUTE	O	Lo/Ej mute terminal
63	VSS	-	VSS
64	DRV.MUTE	O	Driver mute control
65	BMS	O	Spindle short brake control
66	LIM-SW	I	LIM-SW detection
67	Gain_SW	O	PDIC Gain switching
68	FEPCK	O	FEP clock output
69	FEPDT	O	FEP data output
70	FEPEN	O	FEP enable signal
71	DRAMVSS	-	VSS for DRAM
72	DRAMVDD15	-	DRAM power supply (1.5V)
73	DRAMVDD33	-	DRAM power supply (3.3V)
74	VDD3	-	VDD (3.3V)
75	FG	I	Motor FG input
76	TX	O	Output for digital OUT
77	VDD15	-	VDD (1.5V)
78	VSS	-	VSS
79	TSTSG	O	EQ calibration signal
80	VFOSHORT	O	Not used.
81	JLINE	O	J-line setting output
82	BDO	I	Dropout signal input
83	OFTR	I	Off-track signal input
84	AVSSD	-	VSS for analog
85	ROUT	O	MASH Rch audio output
86	LOUT	O	MASH Lch audio output
87	AVDDD	-	VDD (3.3V) for analog
88	VCOF	I	JFVCO control voltage
89	TRCRS	I	Track loss generation signal input
90	AVDDC	-	VDD (3.3V) for analog
91	WBLIN	I	WBL input
92	CSFLT	I	Not used
93	RFDIF	I	Not used
94	AVSSC	-	VSS for analog
95	PLFLT2	I	Condenser 2 for PLL
96	PLFLT1	I	Condenser 1 for PLL
97	AVSSB	-	VSS for analog

MICROCOMPUTER'S TERMINAL DESCRIPTION

Pin No.	Pin Name	I/O	Application
98	ARF	I	Equivalent RF+ input
99	NARF	I	Equivalent RF- input
100	VHALF	I	Reference voltage 1.65V input
101	RV1	I	VREFH register for reference current power supply
102	VREFH	I	Reference voltage 2.2V input
103	DSL2	I	Condenser 2 for DSL
104	DSL1	I	Condenser 1 for DSL
105	AVDDB	-	VDD (3.3V) for analog
106	JITOUT	O	For jitter monitor
107	AVDDA	-	VDD (3.3V) for analog
108	TECAPA	I	Not used
109	AD0 (FE)	I	FE input
110	AD2 (AS)	I	AS input
111	AD1 (TE)	I	TEph/TE3b input
112	AD3 (ENV)	I	RF envelop input
113	AD4 (RFDIFO)	I	Push-pull TE input
114	AD5	I	Focus drive AD input
115	AD6	I	Tracking drive AD input
116	AD7 (IOP)	I	Laser diode current measurement
117	AD8 (TEMP_DET)	I	Temperature monitoring input
118	AVSSA	-	VSS for analog
119	PWM0 (FOD)	O	Focus drive output
120	PWM1 (TRD)	O	Tracking drive output
121	VSS	-	VSS
122	VDD3	-	VDD (3.3V)
123	IDGT	O	Not used
124	DTRD	O	Not used
125	MONI0	O	Internal monitor signal
126~130	MONI1~5	O	Internal monitor signal
131	SW_2*3	I	8cm Ej-STOP, Lo-START detection
132	SW_1*5	I	12cm Ej-STOP detection
133	DMARQ	O	DMA request output ATAPI host
134	NIOWR	I	ATAPI host write signal input
135	VDD3	-	VDD (3.3V)
136	VSS	-	VSS
137	NIORD	I	ATAPI host read signal input
138	IORDY	O	Ready output to ATAPI host
139	NDMACK	I	ATAPI host DMA acknowledge input
140	INTRQ	O	Interruption output to ATAPI host
141	NIOCS16	O	Not used

Pin No.	Pin Name	I/O	Application
142	DA1	I	ATAPI host address signal input
143	NPDIAG	I	Diagnosis from ATAPI slave to master
144	DA0	I	ATAPI host address signal input
145	VSS	-	VSS
146	VDD3	-	VDD (3.3V)
147	DA2	I	ATAPI host address signal input
148	NCS1FX	I	ATAPI host chip select signal input
149	NCS3FX	I	ATAPI host chip select signal input
150	NDASP	O	ATAPI drive active/slave
151	HDD15	I/O	ATAPI data input/output
152	HDD0	I/O	ATAPI data input/output
153	HDD14	I/O	ATAPI data input/output
154	HDD1	I/O	ATAPI data input/output
155	HDD13	I/O	ATAPI data input/output
156	VDD3	-	VDD (3.3V)
157	VDD15	-	VDD (1.5V)
158	VSS	-	VSS
159	HDD2	I/O	ATAPI data input/output
160	HDD12	I/O	ATAPI data input/output
161	HDD3	I/O	ATAPI data input/output
162	HDD11	I/O	ATAPI data input/output
163	HDD4	I/O	ATAPI data input/output
164	HDD10	I/O	ATAPI data input/output
165	HDD5	I/O	ATAPI data input/output
166	VSS	-	VSS
167	VDD3	-	VDD (3.3V)
168	HDD9	I/O	ATAPI data input/output
169	HDD6	I/O	ATAPI data input/output
170	HDD8	I/O	ATAPI data input/output
171	HDD7	I/O	ATAPI data input/output
172	VDDH	-	5V reference power supply
173	NRESET	I	ATAPI reset signal input
174	MASTER	I	ATAPI master/slave signal input
175	SCL	O	EEPROM clock output
176	SDA	I/O	EEPROM data input/output

Loading/Eject logic

Pin No.	Name	Hi-Z (MUTE)	Short-Brake	CW	CCW
62	DRV7	H	L	L	L
61	DRV6	1.65 (Hi-z)	1.65 (Hi-z)	3.3 (Hi)	0 (Low)

TEST MODE

Operation Specifications

● How to enter the test mode

There are following 2 ways to enter the test mode:

1. Press and hold the [SRC] and [ATT] keys and reset.
2. Connect region writing jig to Lx connector (when adjusting flicker)

Notes:

Setting of the jig is optional. However, note that the jig functions as setting SW (region/serial/security/CPPM).

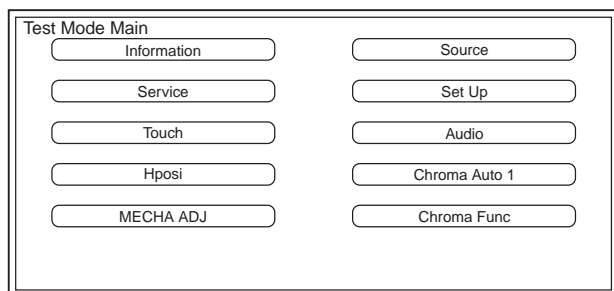
Test mode is powered off in 30 minutes (to make it possible to operate without entering Security while Security ON).

While the jig is connected (after connection is recognized), Key illumi blinks (flicker adjustment mode).

● Screen transition

By pressing each key on the Test Mode Main screen, move on to the corresponding screen.

Test Mode Main Screen



● Information screen

Below is the contents displayed on the information screen.

- Serial No.
- Security Info (BLANK: Not written in E2PROM, ON/OFF: Normal status (ON/OFF is security setting status), ERROR: E2PROM writing error)
- DC Offset detection information
- System μ -Com Version / Rom Correction Version / Type
- Audio μ -Com Version / Rom Correction Version / Type / Span (Tuner frequency span information)
- OSD Version
- Region Code
- B/E Version / F/E Version / Macrovision Version
- Tv Box Version / Rom Correction Version / Type (Displayed only when Tv Tuner Box is connected. When the previous model Tvtuner is connected, "----" is displayed.)

● TOUCH screen

- After Touch Position Control, save the memory into the E2PROM.
- By 3 points input, memory from the system computer to EEPROM
- E2PROM normal write or abnormal result will display on the screen.

● HPOSI screen

- After Screen Position Adjustment, save the memory into the E2PROM.
Adjust in the following order. Graphic → DVD → TV → VIDEO → NAVI
- DVD wallpaper shall be fixed to NTSC.
- E2PROM normal write or abnormal result will display on the screen.
- When adjusting DVD, TDV-540A (Title 3-Chapter 16) shall be played.
After Disc Loading, press the remote control Tenkey 4 to move on to Title 3-Chapter 16.

● SERVICE screen

- Below is the contents displayed on the service screen.
Power On time
DVD Play time (CD-DA/VCD/DVD-VIDEO/other) / Number of DVD Eject times
DVD Mecha Error information
Dvd Mecha/Read/Hot Error: Detect/None
Dvd Other Error: Last Time (**h)
Dvd Other Error: Time Before Last (**h)
Number of Monitor Open times / Number of Monitor Close times
E2PROM Chroma data information
DC Offset detection information
- Write Serial No.
By pressing the [Serial] key, the screen moves on to the Serial No. input screen.
- E2PROM Chroma data clear
By pressing the [Clear] key, E2PROM's Chroma data is cleared.
- DC Offset data clear
By pressing the [Clear] key, E2PROM's DC offset data is cleared.

TEST MODE

● Chroma Auto 1 screen

- After the auto adjustment for Chroma, save the memory into the E2PROM.
Auto Adjustment items: RGB_Amplitude → Bright → Ganma1 → Ganma2 → CONT_RGB2 → SUB_Bright_R → SUB_B right_B → COM_Amplitude
- E2PROM normal write or abnormal result will display on the screen.
- EEPROM's Chroma data is not cleared by writing region in. EEPROM Chroma data is cleared by the [Clear] key on the Service screen.

● Chroma Func screen

- After the Chroma adjustment, save the memory into the E2PROM.
- Setting operation is done by the remote control.
- Chroma_IC adjustment screen (Item setup) → Write to EEPROM
Setup items: Tint adjustment (00h~FFh)
Phase adjustment (00h~3Fh)
- E2PROM normal write or abnormal result will display on the screen.
- EEPROM's Chroma data is not cleared by writing region in. EEPROM Chroma data is cleared by the [Clear] key on the Service screen.

● MECHA ADJ screen

- After the panel mechanism position control, save the memory into the E2PROM.
- Write the voltage value at when Full Open/Full Close into E2PROM.
- E2PROM normal write or abnormal result will display on the screen.
- In one of the conditions below, "NG" is displayed (when NG, not written into E2PROM).
E2PROM writing-in error.
NG if the voltage acquiring value is 0.177V or higher when Open.
NG if the voltage acquiring value is lower than 2.746V or higher than 2.888V when Close.

● Source / Audio / Set Up screen

- Source / Audio Control / Set Up screens are same as when in normal mode.

● Display

- Basically, dedicated screen when in Test Mode.
- Display Touch position (+). However, shall not be displayed in Touch Adjust screen (under adjustment).

● Key

- [Tact] key specification is shown below.

Key	Function
SRC/Vol Up/Vol Dw/Open (Eject)	As usual
ATT	Driver for motor On
V.SEL	V.SEL+AVOUT (engaged with V.SEL)
FNC	As usual (no easy)

● Remote control

- Carry out the following operations using NA-R300 (SW: AUD) (other than the listed blow shall be operated normally).

Key code	Item
Direct	Chroma_IC adjustment mode ON/OFF (writing-in)
Band (FM+)	Video mode switching (NAVI/AVIN/DVD)
M/S (AM-)	DVD audio/video confirmation switching
Execution (Play/Pause)	Setup/cancel Chroma setting value
Tenkey 5	Navi forced interruption
Tenkey 6	Call Screen adjustment screen
Tenkey 7	To the item before Chroma adjustment
Tenkey 8	Change the Chroma setup value (UP)
Tenkey 9	To the next Chroma adjustment item
Tenkey 0	Change the Chroma setup value (DW)
Tenkey 2 (Preset 2)	DC Offset detection test direct switching (DVD source only)
Tenkey 3 (Preset 3)	Switching the V-IN (R-CAM) mirror mode
Tenkey 4 (Preset 4)	Direct switching for HPOSI DVD checking

● Screen maintenance section

- In Test Mode (including when the jig is connected), start up in VIDEO screen → press the [FNC] key to move on to Test Mode Main screen.
- Connect AVOUT to the V.SEL action to allow change (AVOUT when in Graphic and NAVI can be any).
AVIN – (TV) – R_CAM – NAVI – DVD (the order can be any)
- Easy Control screen is skipped with [FNC] key.
- For the Reverse condition needs to be set ON when in the test mode (RCAM is always available in V.SEL).
(When detecting Reverse, R-CAM interruption will occur as is in normal mode).
- When VIDEO image is input and when video signal is switched (NTSC ↔ PAL), OSD is not displayed. (OSD is displayed when switching V.SEL. However, the OSD is not displayed in VIDEO mode.)

TEST MODE

● Audio

- Default volume is Step 30.
- Bal/Fad setting is changed among Min ↔ Center ↔ Max by each click.
- Line Mute default is On.
- Xover setting is changed between Min ↔ Max by each click.
- Tone setting is changed among Min ↔ Center ↔ Max by each click.
- Default Tone (EQ) value is Flat.
- Default system Q is OFF.
- When there is Digital Out terminal, the setting should always be output on setting.
- Sub Woofer default is ON (same in the normal mode).

● Tuner

- When unable to access E2PROM, display "Error" (Tuner screen).
- K3I forced switching among narrow/middle/wide.
 - Forced to narrow by pressing and holding Preset 4 : "***.*1MHz"
 - Forced to middle by pressing and holding Preset 5 : "***.*2MHz"
 - Forced to wide by pressing and holding Preset 6 : "***.*3MHz"
- Switch Tuner Span (K ↔ M) with [SRC] key + [Vol. Dw] key + Reset.
 - Span information is displayed on the Information screen.

● BEEP control

- Beep regardless of the destination.
 - (While in Standby source, beep cannot be output because of PWIC restriction.)

● SI control

- Set SI default to On.

● AVIF

- AVIN Interruption default shall be On.
- NAVI interruption SP setting default is FRONT ALL.
- V-IN mirror mode switching is done by Remote Control Tenkey 3.
- R-CAM Interruption default shall be On.

● SCREEN adjustment

- By pressing the remote control Tenkey 6 on each video screen, each video screen's SCREEN adjustment items are displayed.

- The default is Center, and switch among Full Down ↔ Center ↔ Full Up by each click.
- BRT default is MAX.

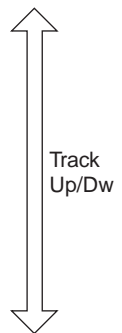
● TV tuner

- If the destination is E, set the TV2 default value to "Area 5 (Russia)", "Ch 8 (191.25MHz)". (When KTC-V500 is connected.)
- If the destination is E, set the TV2 default value to "Area 4 (Russia)", "Ch 8 (191.25MHz)". (When KTC-V300 is connected.) (HPOSI adjustment mode shall be TV1.)
- * If started up as above, even if the test mode is cancelled by ACC/Power OFF → ON, the setting values are maintained (set to default by Reset).

● DVD

- CD media KTD-02A and DVD media TDV-540A/TTD-100 are used.
- If the test mode is started up with Disc loaded Panel Open and in test mode, the disc is not ejected (same in normal mode).
- Set region code at the position for the time code.
- When Loading, set to Title1-Chapter1 (Shown with ★ in the table below)
- CDDA audio checking (KTD-02A)

For CDDA audio checking				
Track				
★ 1	-			
9	-			
15	-			
10	-			
11	-			
12	-			
13	-			
14	-			
9	-			

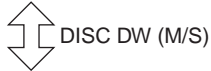
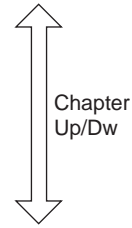


For CDDA audio checking				
Track				
28	-			

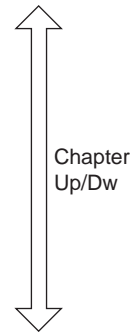
TEST MODE

• DVD audio/video checking (TDV-540A)

For DVD video checking				
Title	Chapter			
★ 1	1			AudioStream1
3	6	Level		AudioStream1
3	7	S/N		AudioStream1
3	17	AM/PM noise		AudioStream1
3	8	Frequency characteristics		AudioStream1
3	12	Color bar measurement		AudioStream1



For DVD audio checking				
Title	Chapter			
1	1			AudioStream1
4	1	1kHz 0dB	PCM96k/24bit	AudioStream3
4	6	17Hz	PCM96k/24bit	AudioStream3
4	16	44kHz	PCM96k/24bit	AudioStream3
4	2	infinity	PCM96k/24bit	AudioStream3
4	3	L	PCM96k/24bi	AudioStream3
4	4	R	PCM96k/24bit	AudioStream3
4	1	1kHz 0dB	Dolby	AudioStream1
4	2	infinity	Dolby	AudioStream1



• HPOSI video adjustment (TDV-540A)

For DVD video HPOSI checking				
Title	Chapter			
★ 1	1			AudioStream1



For DVD video HPOSI checking				
Title	Chapter			
3	16	Monoscope		AudioStream1

● Flicker adjustment

Specification is as shown below (jig is connected to Lx or Tv).

1. Connect the jig to Lx or Tv and turn on the power to set flicker adjustment to On.

The panel mechanism tilt position is started up as "2".

Note: Setting of the jig is optional. However, note that the jig functions as setting SW (region/serial/security/CPPM).

2. Screen mode is set to ZOOM and the screen shown is VIDEO.
3. By turning the power off, flicker adjustment is set to Off.

● DC Offset

- DC Offset detection status (normal/error) clear.
By the Service information screen's DC Offset information [Clear] key, clear E2PROM's DC Offset detection information.
- DC Offset detection information is displayed on the Information screen/Service information screen.
- While in the test mode, even if DC Offset is detected, it is not written into E2PROM. → Even in the test mode, when DC is detected, "Protect" is displayed (all CH Mute) as in normal mode.

TEST MODE

- Volume setting is changed to the setting values below by pressing the remote control Tenkey 2 (Preset 2).

Source: DVD

Specified disc: KTD-02A

Specified Track: 15 (20Hz, 0dB)

DISC/TRACK shall be specified by hand.

Specified Vol: 29

- If Lx is connected, even if DC Offset is detected in the test mode, LxCon should not be Off.

● Specification to set the driver for motor without the slide mechanism

- With the condition when [ATT] key is pressed and hold, the driver port for motor shall be On.

With the [ATT] key pressed and hold, and with the key on once, the motor is ON to the reversed direction, and stopped by key OFF.

By 2nd time key On, the motor is ON to the forward direction, stopped by key OFF, and then repeated thereafter.

● Backup Memory

- While in the test mode, the Backup Memory function (save to the memory 30 minutes after reset and then every 1 hour thereafter) is not active.

● E2PROM contents clear

- Clear the E2PROM contents which should not remain when shipped.

If information clearing and mechanism initialization fail with the following procedure, do not light the illumi for SI.

Clear with [SRC] key + [FNC] key + Reset.

DC Offset information

Retailer mode information

Memory function

Service Information

- If a jig is connected and the region is written in, the following contents should be cleared.

Serial No.

DC Offset information

Security code

Memory function

Touch correction

Retailer mode information

HPOSI data

Service Information

Mechanism position adjustment value

● Other

- Operate Illumi/Parking operation even if in the test mode (same as when in normal mode).
(Input from extended connector shall be valid.)
- R-CAM Interruption default shall be On.
- Even in the status where the panel mechanism is Full Open, Touch operation shall be available.

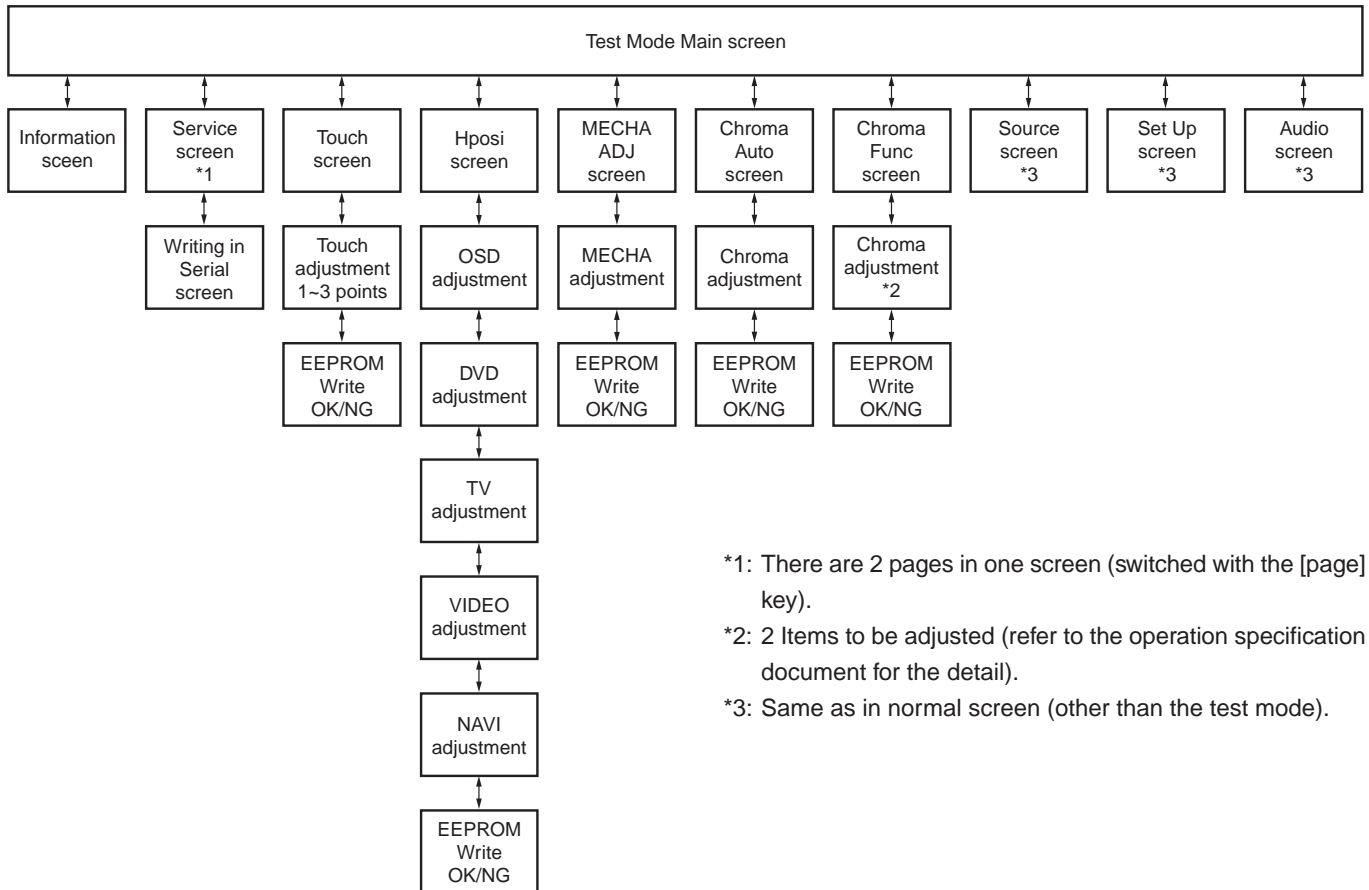
● About the retailer mode

- Retailer mode is turned On by [Eject] key + [Vol. Dw] + Reset.
- Retailer mode is turned Off by [SRC] key + Reset.
- Retailer mode ON/OFF status shall be saved into E2PROM memory.
- When started up in the retailer mode, both audio and video start up as DVD source.
- While in the retailer mode, to prevent the disc to be stolen, the [Eject] key shall be pressed and hold for 10 seconds to eject.

TEST MODE

Test Mode Screen Specifications

- If Graphic screen is displayed while in the test mode, the test mode main screen is displayed.

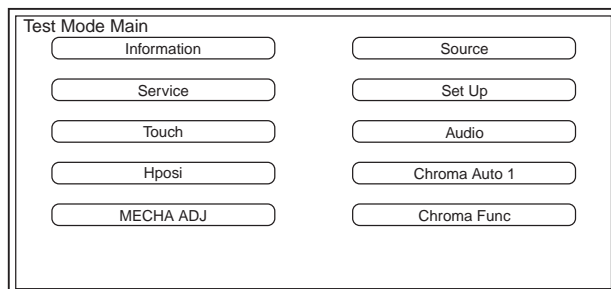


*1: There are 2 pages in one screen (switched with the [page] key).

*2: 2 Items to be adjusted (refer to the operation specification document for the detail).

*3: Same as in normal screen (other than the test mode).

● Test Mode Main screen



Key specification

Information: Move on to Information screen.

Service: Move on to Service screen.

Touch: Move on to Touch screen.

Hposi: Move on to Hposi screen.

MECHA ADJ: Move on to MECHA ADJ screen.

Source: Move on to Source screen.

Set Up: Move on to Set Up screen.

Audio: Move on to Audio screen.

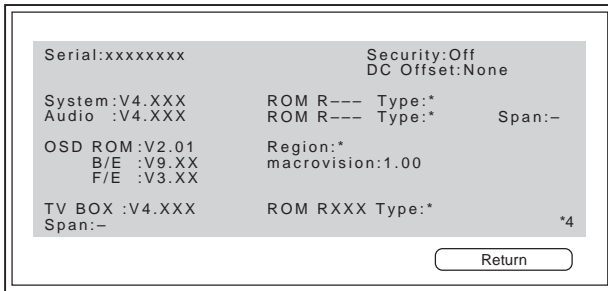
Chroma Auto 1: Move on to Chroma Auto screen.

Chroma Func: Move on to Chroma Func screen.

TEST MODE

● Information screen

- Displays Serial No./each μ -com's version information/region code/each status, etc.



*4: Displayed only when Tv Tuner Box is connected. When the previous model TV tuner is connected, “- - - -” is displayed.

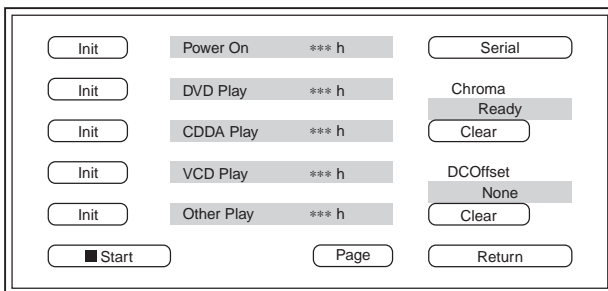
Key specification

Return: Move on to Test Mode Main screen.

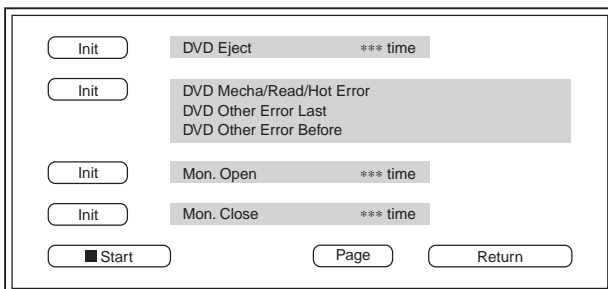
● Service screen

- Display and clear service information.
- Clear EEPROM Chroma data.
- Display and clear DC Offset detection information.

Page 1 screen



Page 2 screen



Press the [Page] key to switch the screen

DVD error information

DVD Mecha/Read/Hot Error: When the error at the left is detected, “DETECT” is displayed.

DVD Other Error Last: Display the latest (last) error information (refer to the error code table).

DVD Other Error Before: Display the error information immediately before the latest (last) error (refer to the error code table).

Key specification

Init: Select the item to be initialized.

Start: By pressing and holding (for 1 sec. or longer) to initialize the selected item's information.

Serial: Move on to the Serial No. manual input screen.

Clear (Chroma): Clear EEPROM Chroma data.

Clear(DC Offset): Clear EEPROM DC Offset information data.

Page: Switch the Page 1 and Page 2 screens.

Return: Move on to Test Mode Main screen.

Adjustment procedure

Service Information

- Select the item to be initialized by pressing the [Init] key (multiple items can be selected/selected items are highlighted).
- After selection is completed, press and hold the [Start] key for 1 second or longer to initialize the displayed service information.

Chroma

- Chroma information is normally displayed as Ready andClr OK/NG when EEPROM data is cleared.
- When clearing, if moved on to the Chroma adjustment screen without resetting, the previous data is maintained. Cleared data is reflected after resetting.

DC Offset

- DC Offset detection information is not detected when None, and detected when Detect.
- Detection information is cleared by [Clear] key.

TEST MODE

Error code table

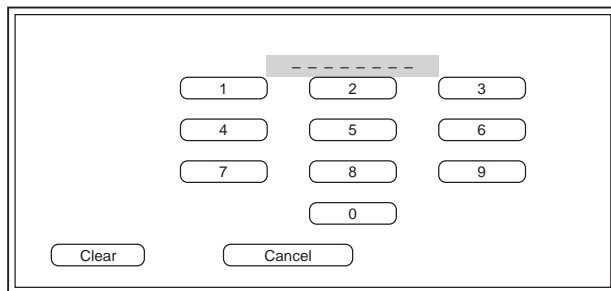
DVS-7600 error code

Code	Error description
00	NO ERROR
03	DVD-Video REGION CODE ERROR
13	DVD-Video PARENTAL LEVEL ERROR
23	DVD DESCRAMBLE FAILED
04	READ ERROR
05	UNKNOWN DISC
15	UNKNOWN CD
25	UNKNOWN DVD
07	ROM ACCESS ERROR
17	RAM ACCESS ERROR
27	SDRAM ACCESS ERROR
37	MPEG DECODER ACCESS ERROR
47	ATAPI ASIC ACCESS ERROR
57	AUDIO D/A CONVERTOR ACCESS ERROR
67	FRONT-END COMMUNICATION ERROR
77	DRIVER ACCESS ERROR
09	MEDIA LOAD FAILED
19	MEDIA EJECT FAILED
29	REGION CODE SETUP FAILED
39	MECHA SETUP FAILED
99	MECHA ERROR
0D	HOT ERROR
XX	others (Reserved)

● Serial writing screen

- Write in the serial code for each set.

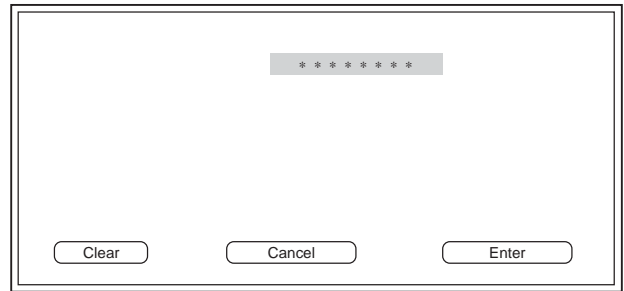
Serial No. input screen



Key specification

- 0~9: 10 Key for entering serial No.
- Clear: Clear the serial No. being input.
- Cancel: Move on to Service screen.

Writing screen for after entering the serial No.



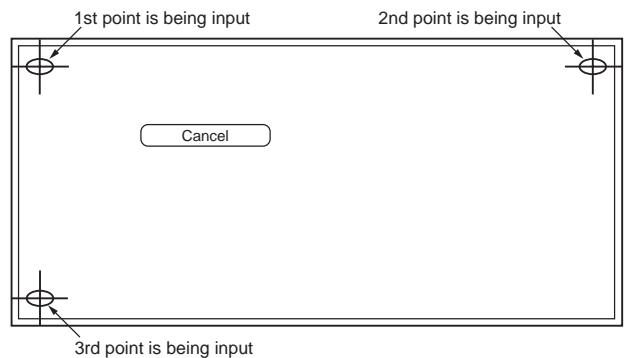
Key specification

- Clear: Clear the serial No. being input.
- Cancel: Move on to Service screen.
- Enter: Start serial No. writing (normal completion with "Write OK" displayed, error with "Write NG" displayed).
- If OK, press this key to move on to the Service screen.
- If NG, go into the test mode again and repeat from the 1st step.

● Touch screen

- Fine-adjust the fluctuation of Touch of each set.
Touch the 3 markers, and completed if the EEPROM OK screen is displayed.

Touch being input

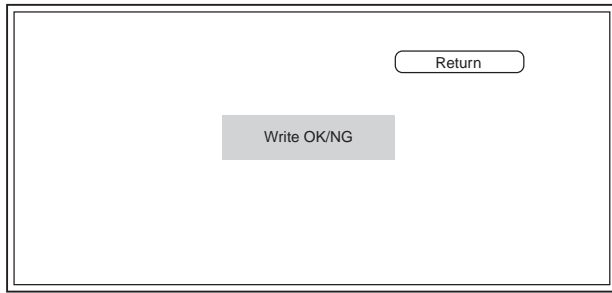


Key specification

- Cancel:
1st point being input; Move on to Test Mode Main screen.
2nd point and thereafter being input; Move on while the 1st point is being input.

TEST MODE

EEPROM writing-in completion OK/NG screen



Key specification

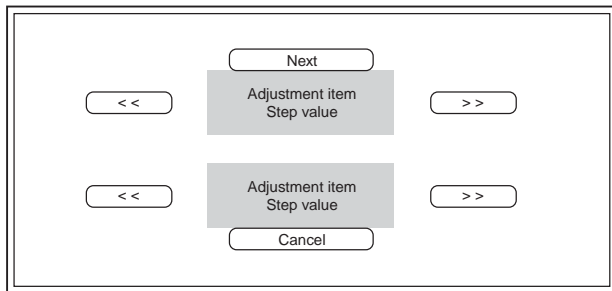
Return: Move on to Test Mode Main screen.

Note: If NG, go into the test mode again and repeat from the 1st step.

● **Hposi screen**

- Adjust each screen's horizontal display position (refer to the separate sheet for more detail).

Each Hposi adjustment screen



Key specification

Next: To the next Hposi adjustment screen, or when in NAVI screen, start EEPROM writing.

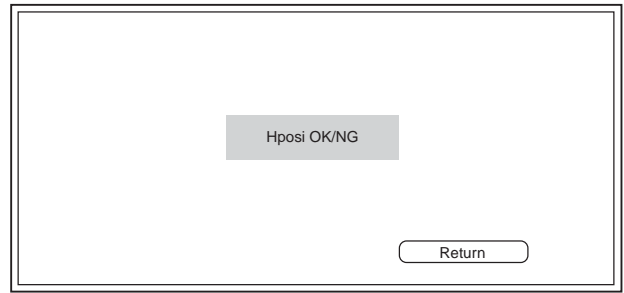
<<: Screen moves toward the left.

>>: Screen moves toward the right.

Cancel: Move on to Test Mode Main screen.

Note: The top row of the first adjustment screen (Graphic) does not need to be adjusted.

EEPROM writing-in completion OK/NG screen



Key specification

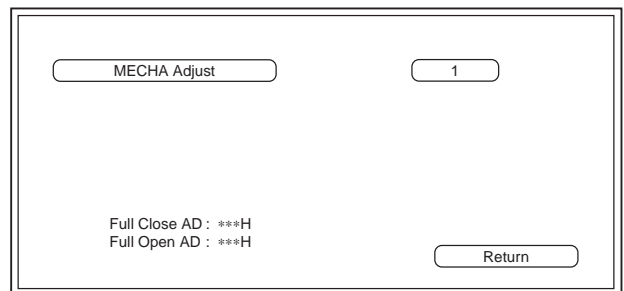
Return: Move on to Test Mode Main screen.

Note: If NG, go into the test mode again and repeat from the 1st step.

● **MECHA ADJ screen**

- After installing the mechanism position adjustment jig, adjust the panel mechanism position.

MECHA ADJ screen



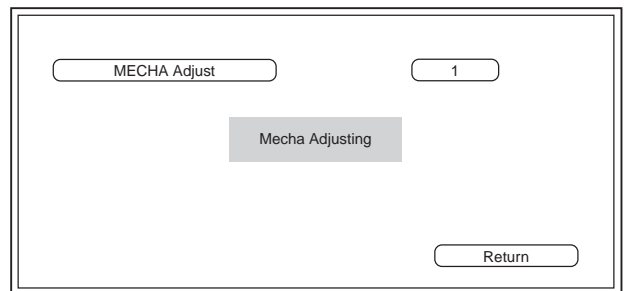
Key specification

MECHA Adjust: Start mechanism position adjustment.

1: Set the mechanism position (Tilt) to "1".

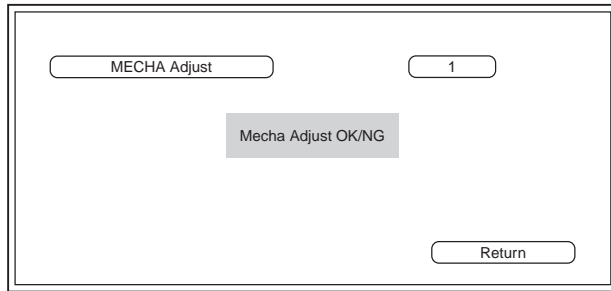
Return: Move on to Test Mode Main screen.

While in MECHA Adjust process



TEST MODE

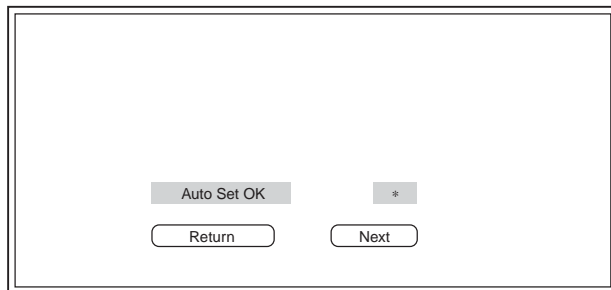
MECHA Adjust completed



Note: If NG, check and make sure that the mechanism position adjustment jig is properly installed, and go into the test mode again and repeat from the 1st step.

● Chroma Auto1 Screen

- Automatically adjust Chroma data.
- At the same time as moving on to the Chroma AUTO screen, automatic adjustment is started.



Key specification (remote control)

Return: Move on to Test Mode Main screen.

Next: [Invalid] key (not used)

● Chroma Func screen

- Adjust Chroma data.
- Adjustment is done using the remote control (AudioSW) (refer to the separate sheet for more detail).
- There are 2 types of items to be adjusted: TINT and Phase.

Note: EEPROM chroma data can be cleared by the Clear key on the Service screen.



Key specification (remote control)

Direct: Chroma_IC adjustment mode ON/OFF (writing-in EEPROM)

Play/Pause: Setup/cancel Chroma setting value

Tenkey 7: Chroma adjustment item change

Tenkey 8: Change the Chroma setup value (UP)

Tenkey 9: Chroma adjustment item change

Tenkey 0: Change the Chroma setup value (DW)

● Source/Set Up/Audio screen

- Same as in the normal screen (other than in Test Mode), but if the [SetUp] key and the [Audio] key are pressed, the screen goes back to the Test Mode Main screen.

● SecurityCode writing screen

- Writes in the SecurityCode managed in combination with the serial (other than K/R destination).
- From the SetUp screen, press the [Security Set Up] key.
- On other than K/R destination, when EEPROM's Security Code is blank, the [Set] key is displayed. Press the [Set] key.
- In the Security Code writing-in screen, run the same operation as when registering Security Code in normal mode, and press the [Enter] key to start writing.

Note: The Security Code to be entered here is the set-specific code linked to the serial No.

- If "Complete" is displayed, normally completed, and if "NG" is displayed, ended with error.

Note: If NG, go into the test mode again and repeat from the 1st step.

● Tuner Span switching (K ↔ M switching)

- Press and hold [SRC] key + [Vol Dw] key and Reset (or Back Up On) to switch between the Tuner spans K ↔ M.
- Span information can be checked on the test mode Information screen. (For destination whose Span cannot be switched, "-" is displayed.)

ADJUSTMENT

● Free-Run Frequency Adjustment

While checking on the frequency counter, adjust with the volume resistance.

Adjustment procedure

- 1) Set CN200 52 pin DDX_MUTE (TP258) to H for timing controller IC3 NHD (22 pin) entry to null.
(If the main body is connected, it is set to H on the full OSD screen.)
- 2) Measure HSY frequency output from NDSH (9 pin) TP3 with a frequency counter, and adjust to $15.734\text{kHz} \pm 0.01\text{kHz}$ at VR3.

● PAL Demodulation Axis Adjustment Method (Destination E Only)

While checking the waveform with an oscilloscope, adjust with a remote control.

Condition

Input Signal: Color bar (PAL signal)

Remote controller operation method

- ▶II: Final selection
- DIRECT: End
- 7: Adjustment item switching
- 8: Adjustment value UP
- 0: Adjustment value DOWN

Adjustment method

1. Press Chroma Func key in the Test Mode Menu screen.
Color bars will be displayed on the screen.
2. Put trigger with HD: TP3 and observe IC103 pin 33 TP17 (VR) and IC103 pin 35 TP21 (VB) and conduct adjustment in the following manner.
3. First, monitor R-output and conduct the following:
Vary TINT values and adjust so that oscillation width of each horizontal scanning period would be unified, using UP/DOWN keys of remote controller.
(Refer to Fig. 1 and Fig. 2.)
 - * In Fig 1, oscillation width of R-output and B-output of horizontal scanning period are not unified.
 - In Fig. 2, however, the oscillation width of horizontal scanning periods are unified.
4. After adjustment, press final selection key.
 - * After pressing the final selection key, the OSD in the upper left will change its color to green.

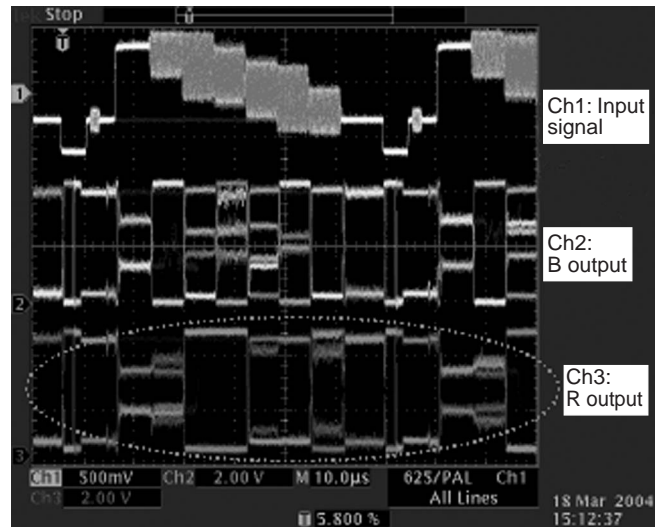


Fig. 1 (Ch1) Color bar
(Ch2) VB output measurement point
(Ch3) VR output measurement point

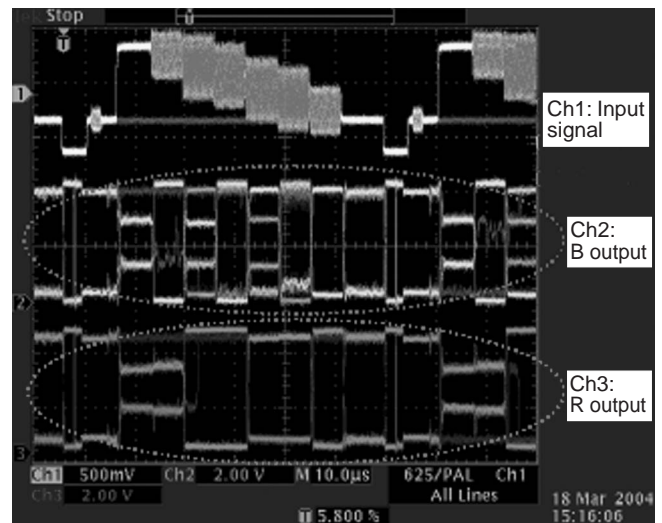


Fig. 2 After TINT adjustment

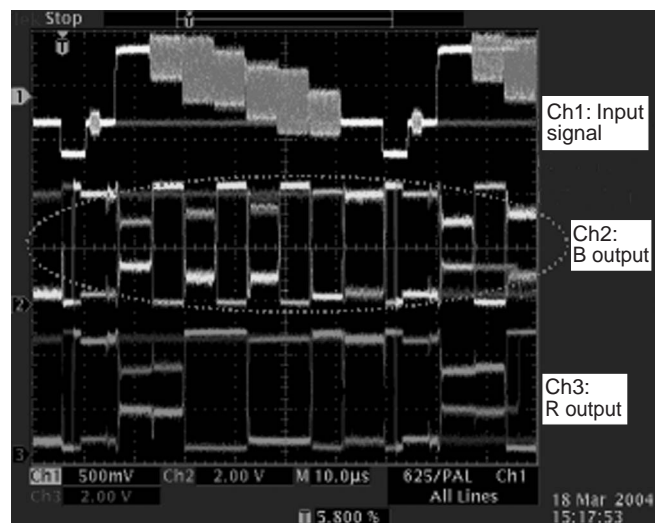


Fig. 3 After PHASE adjustment

ADJUSTMENT

5. After R-output adjustment, press Adjustment Item switch key and switch the adjustment item to Phase.

Monitor B-output and vary the Phase values and adjust so that oscillation width for horizontal scanning period would be unified, using the UP/DOWN key of the remote controller. (Refer to Fig 2 and Fig. 3.)

* In Fig. 2, B-output oscillation widths are not unified.

In Fig. 3, however, the oscillation width of each horizontal scanning period of B-output are unified.

6. After adjustment, press Final Selection key.

* When the Final Selection key is pressed, OSD in upper left corner of the screen will change its color to green.

7. Then, press End key. When "Write OK" is displayed, the adjustment is complete.

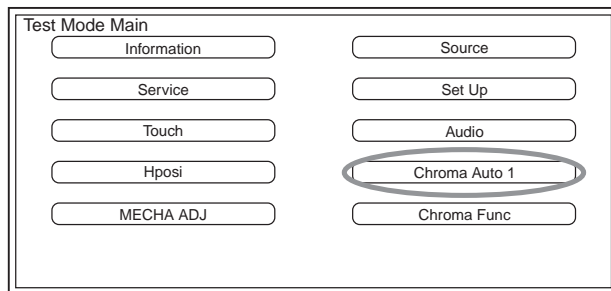
Press End key again to exit from Chroma Func Adjustment.

● γ Adjustment

By operating the touch panel key, adjusted automatically.

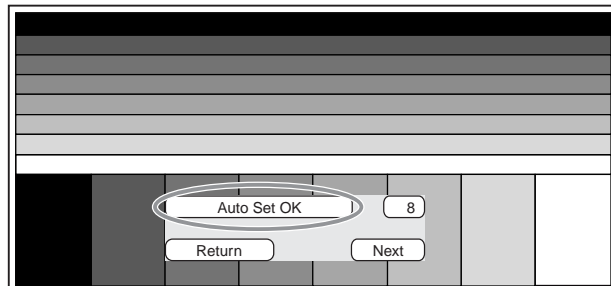
Adjustment method

From the Test Mode Main screen, press Chroma Auto 1.



Confirmation after adjustment

- "Auto Set OK" is displayed.
- In the lower row's 8 steps, the tone changes, from the left to the right, gradually from dark to light.



● Flicker Adjustment

While checking the waveform with an oscilloscope, adjust with the volume resistance.

Condition (As in the previous models)

Video Source: VIDEO

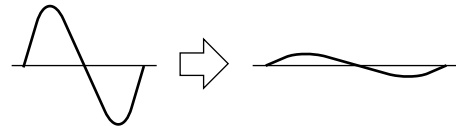
Video: Luster white 30%~50%

BRIGHT: MAX

MODEL: ZOOM

Adjustment procedure

- 1) Display luster white 30%~50% is displayed.
- 2) Place a flicker adjustment jig to the monitor and observe the waveform with an oscilloscope.
- 3) Turn VR100 and adjust to make the amplitude of the waveform to minimum.

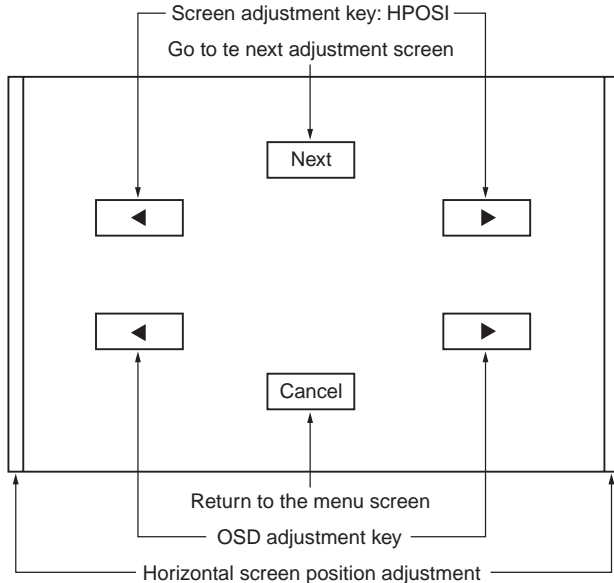


Oscilloscope range: 20mV, 0.5mS
(setting at the time of '04 commercial production)

ADJUSTMENT

● Horizontal Display Start Position and OSD Display Position Adjustment

While checking the screen, adjust on the touch panel.



Screen adjustment key (HPOSI): The whole screen's horizontal display starting position adjustment

OSD adjustment key: OSD only horizontal display starting position adjustment

Image on the adjustment screen

DVD: Monoscope (TDV-540A, Title: 2, Chapter: 16)

TV: Monoscope

VIDEO1: Monoscope

Navigation: Input KNA-DV3200

* NTSC area destination: NTSC video, PAL area destination: PAL video are used.

* TV tuner box suitable for each destination should be used.

* NAVI screen is the NAVI menu screen.

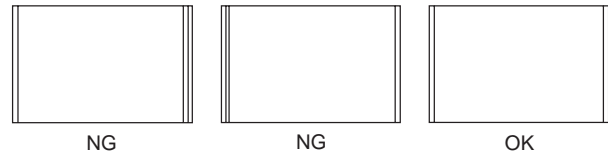
Adjustment procedure

1. On the test mode menu screen, press HPOSI.
2. Adjust the 5 types: Graphic, DVD, TV, VIDEO, Navigation horizontal display starting positions.

3-1. Graphic:

Using the OSD key, adjust so that the background is not shown on the both sides of the screen.

HPOSI key is not used. Please be careful not to touch this key because this key is valid.



3-2. DVD:

Insert TDV-540 disc, and after the air plane picture is displayed, press the remote control key (DVD mode) "4", Monoscope is displayed.

At first, using the OSD key, adjust so that the background is not shown on the both sides of the screen.

Then, using the screen adjustment key, adjust so that the monoscope is symmetrical.

3-3. TV, VIDEO:

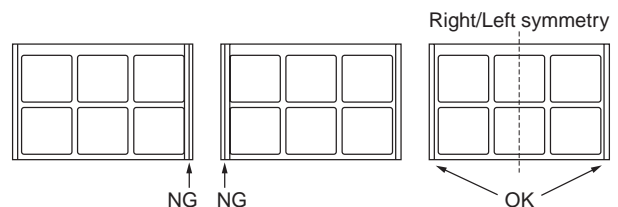
At first, using the OSD key, adjust so that the background is not shown on the both sides of the screen.

Then, using the screen adjustment key, adjust so that the monoscope is symmetrical.

3-4. NAVI:

At first, using the OSD key, adjust so that the background is not shown on the both sides of the screen.

Then, using the screen adjustment key, adjust so that the NAVI menu screen is symmetrical.



After adjustment, press the Next key, and if "Hposi OK" is displayed, adjustment is completed.

Note:

When adjusting horizontal display starting position, when not displayed exactly at the center (leaned toward left when moved 1 step toward left, and leaned toward right when moved 1 step toward right), place at the position closest to the center but leaned toward the right, and press "NEXT" to finalize (The screen is leaned toward the right by 1 or 2 dots).

ADJUSTMENT

● Touch Panel Adjustment

Adjust on the touch panel.

Adjustment procedure

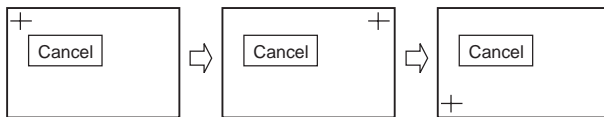
1. Press the Touch Key in the Menu screen of the Test Mode and enter the Touch Panel Adjustment screen.
2. Touch the center section of the “+” mark below in the following order.

Upper left → Upper right → Lower left

When making the touch, be use to use the touch stick designated.

3. After adjusting at 3 points, when “Write OK” is displayed, the adjustment is complete.

By pressing “Return”, Touch adjustment will be exited.



* If the central section of the “+” mark has not be pressed accurately, press “Cancel” and re-do from the beginning.

Note:

As far as the Touch Panel Adjustment data is concerned, the data is finalized when the touch is let go.

For this reason, the knack for adjustment is not to let go the touch after touching the center section of the “+” mark.

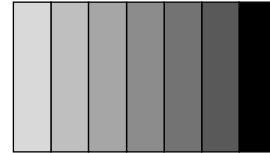
After making the touch, first confirm that the touch is at the dead center of the “+” mark. (This means that, if the touch is not at the dead center of the “+” mark, maintain the touch, and slide the stick to the dead center of the “+” mark.)

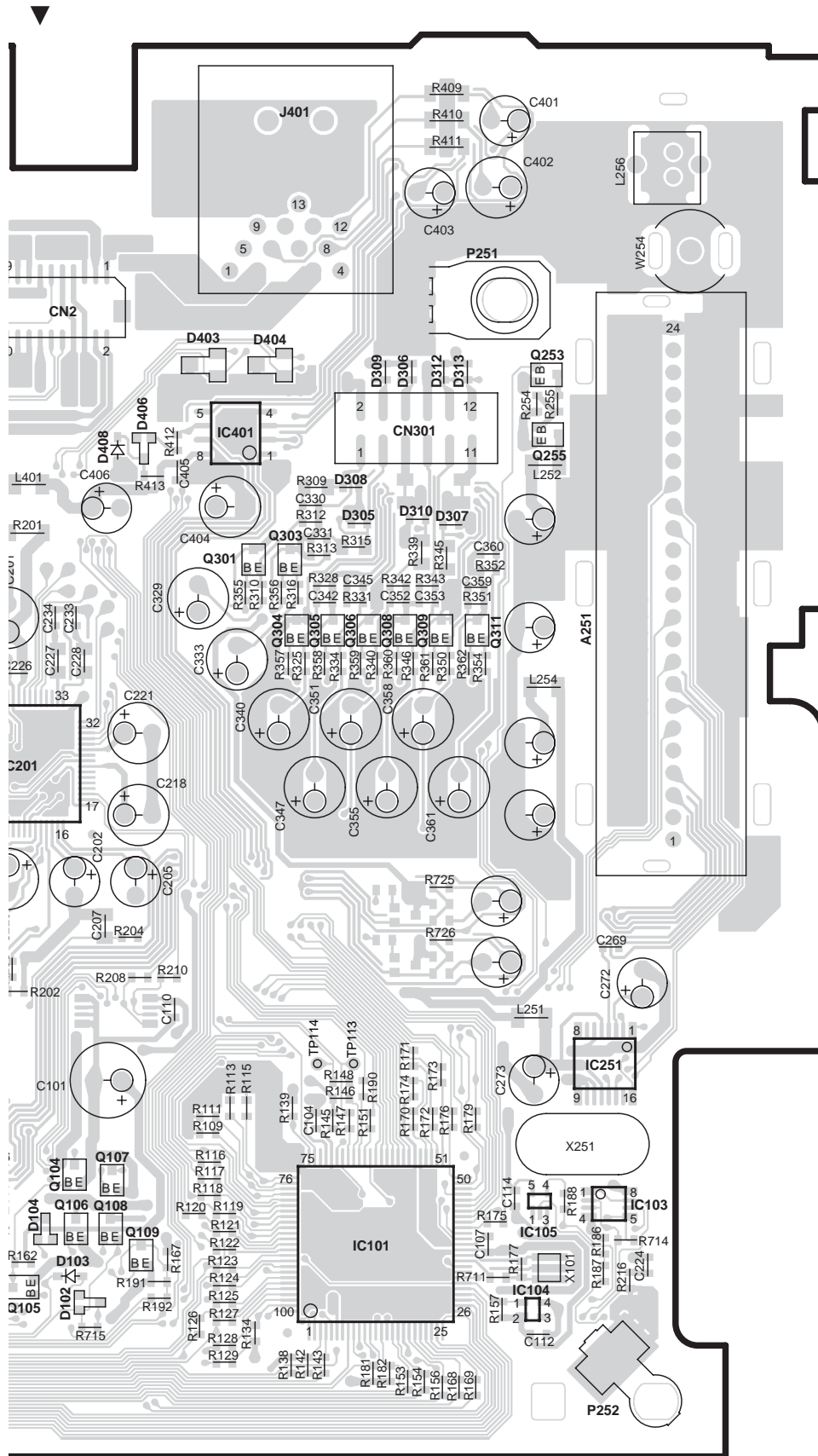
Then, let the touch go quickly, vertically upward.

● Screen Check

Check that no obvious horizontal line is shown on the screen. If one or more horizontal line is found, the following adjustment may not be done properly.

- TINT/PHASE adjustment
- Flicker adjustment check





X14-974x-xx

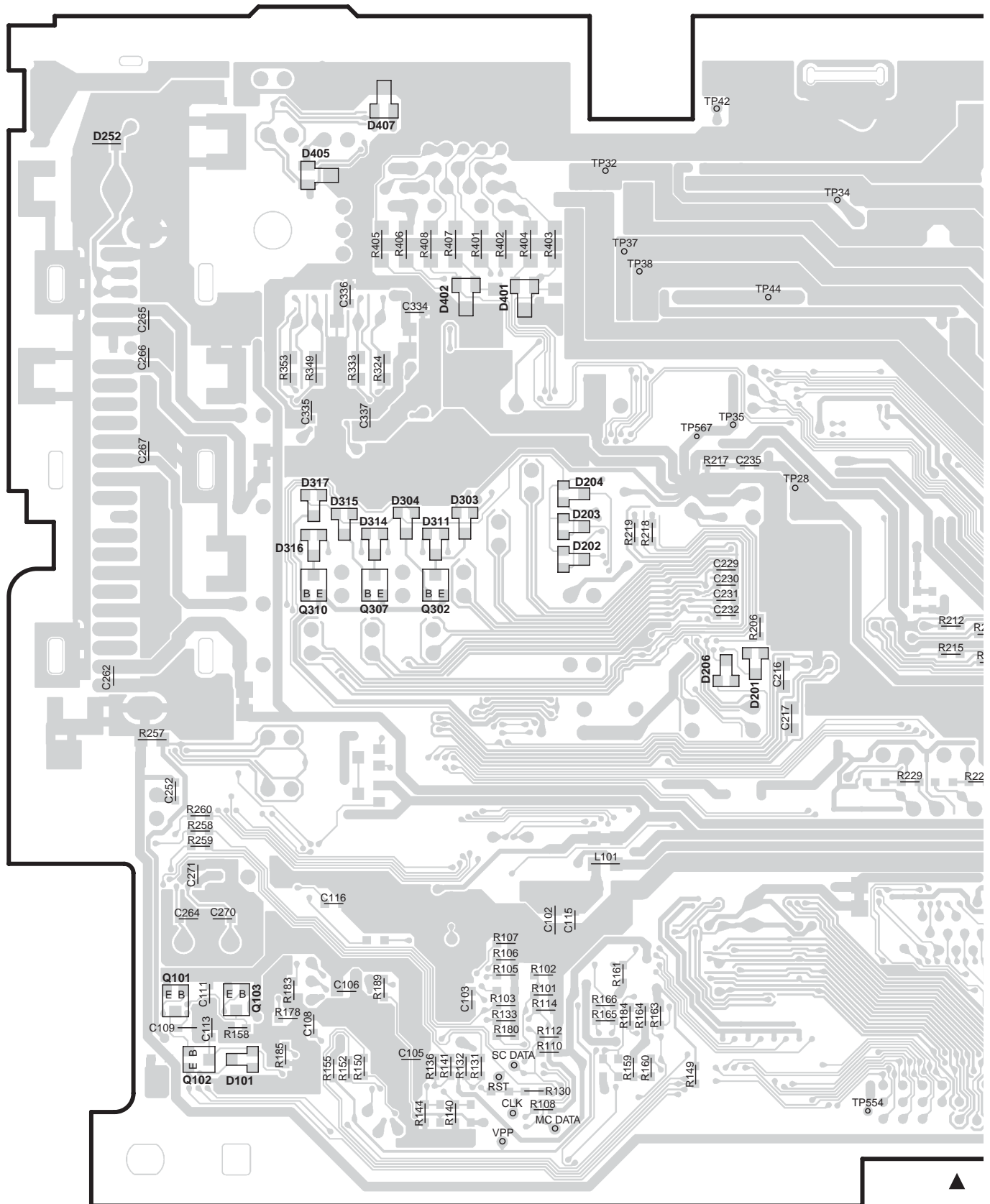
Ref. No.	Address
IC1	5C
IC5	5C
IC101	6G
IC104	6H
IC105	6H
IC201	4E
IC202	6E
IC203	6E
IC204	6D
IC251	6H
IC301	4B
IC401	3F
Q1	2E
Q2	2E
Q3	2D
Q4	2D
Q14	4C
Q16	4C
Q18	2C
Q19	2D
Q20	3C
Q21	3D
Q22	3D
Q23	2C
Q24	2E
Q25	6B
Q29	3C
Q30	3D
Q42	2E
Q43	3E
Q44	3E
Q45	5B
Q201	6E
Q202	6E
Q203	6E
Q204	6E
Q205	5D
Q206	5E
Q207	6D
Q253	3H
Q255	3H
Q301	4F
Q303	4G
Q304	4G
Q305	4G
Q306	4G
Q308	4G
Q309	4G
Q311	4G

Refer to the schematic diagram for the values of resistors and capacitors.

DDX6019/6029/6029Y/6039

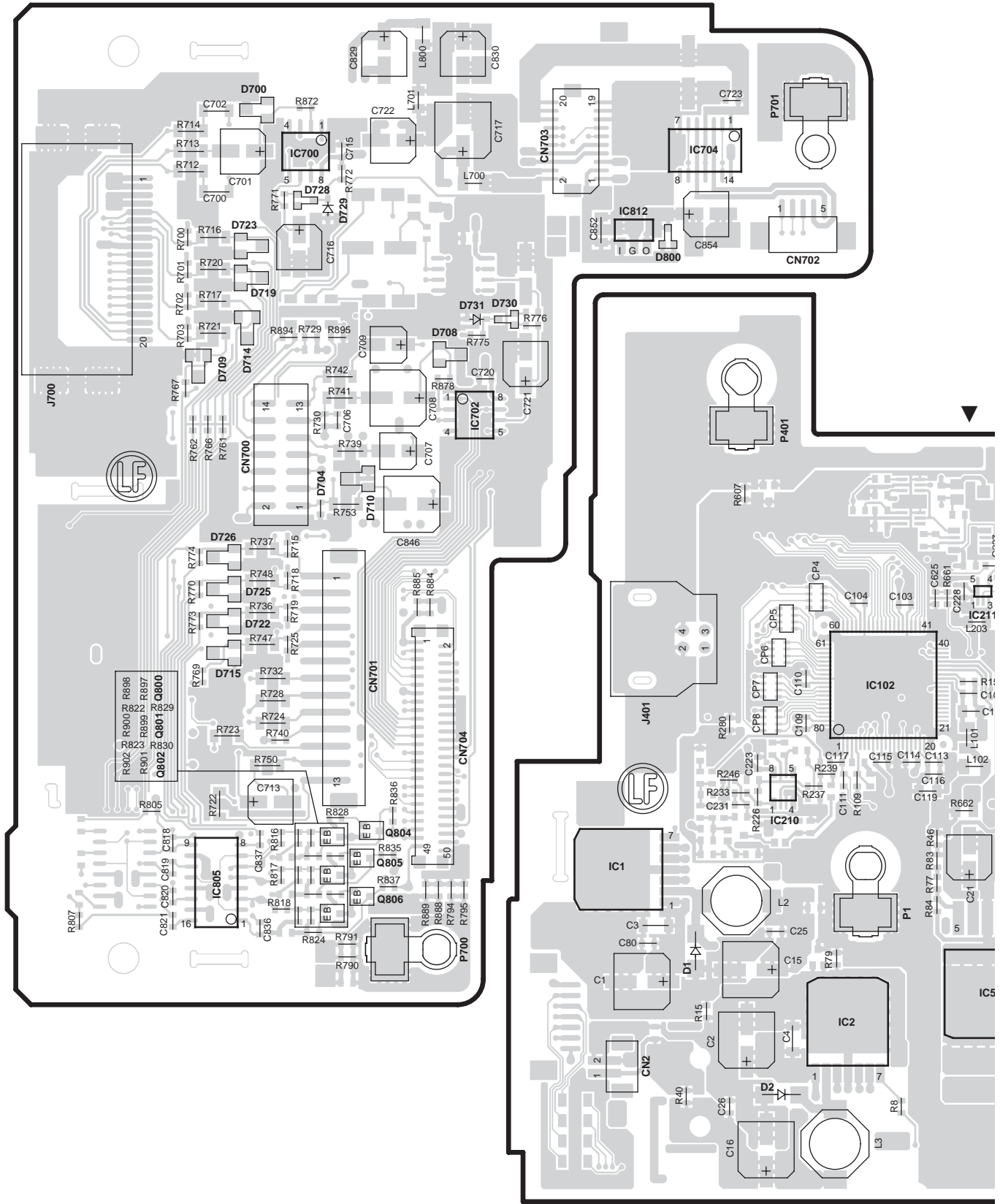
PC BOARD (FOIL SIDE VIEW)

RECEIVER UNIT
X14-974x-xx (J76-0218-12)

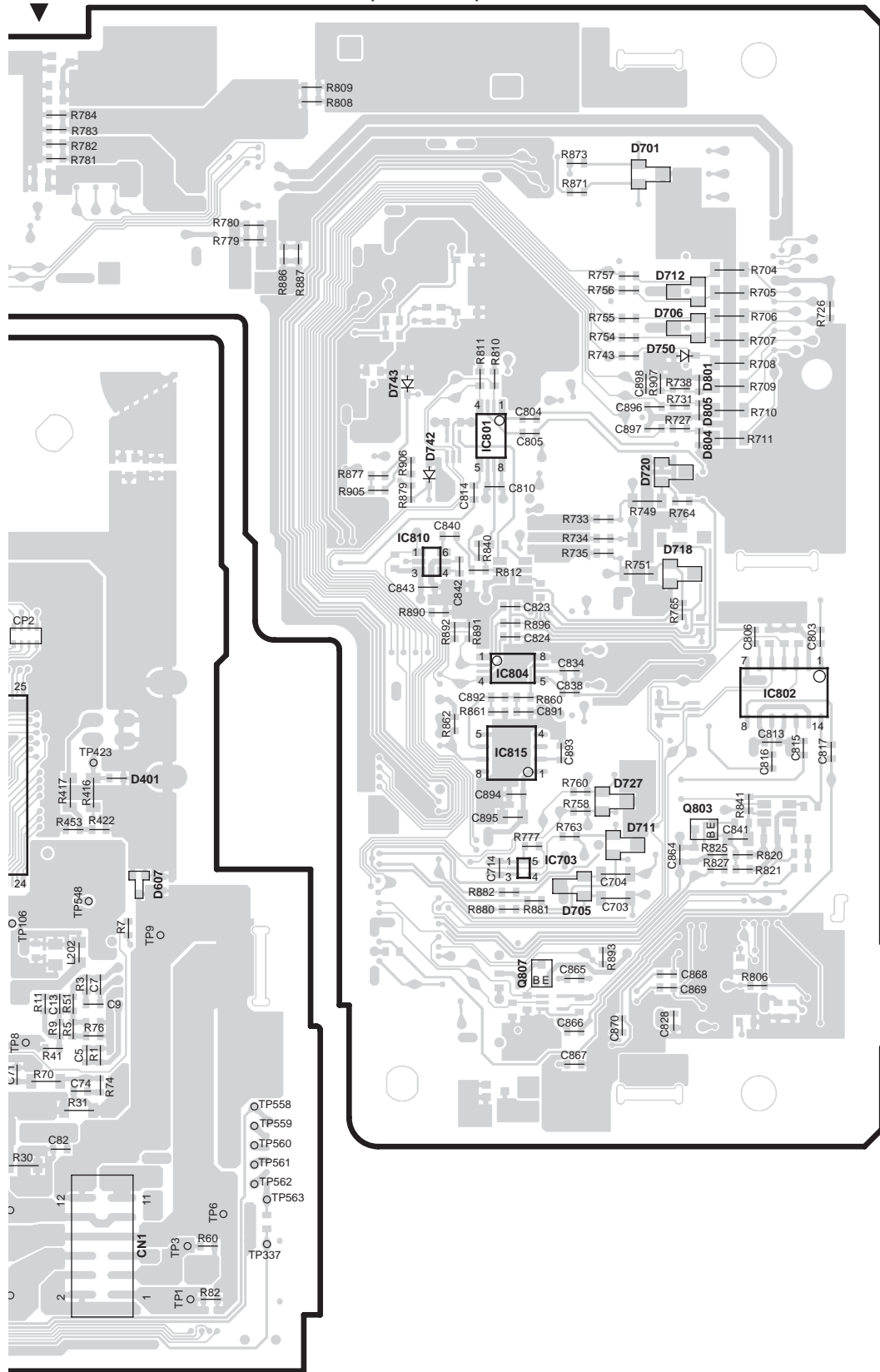


PC BOARD (COMPONENT SIDE VIEW)

ELECTRIC UNIT X34-439x-xx B/2 (J76-0219-22)



ELECTRIC UNIT X34-439x-xx B/2 (J76-0219-22)



X34-439x-xx

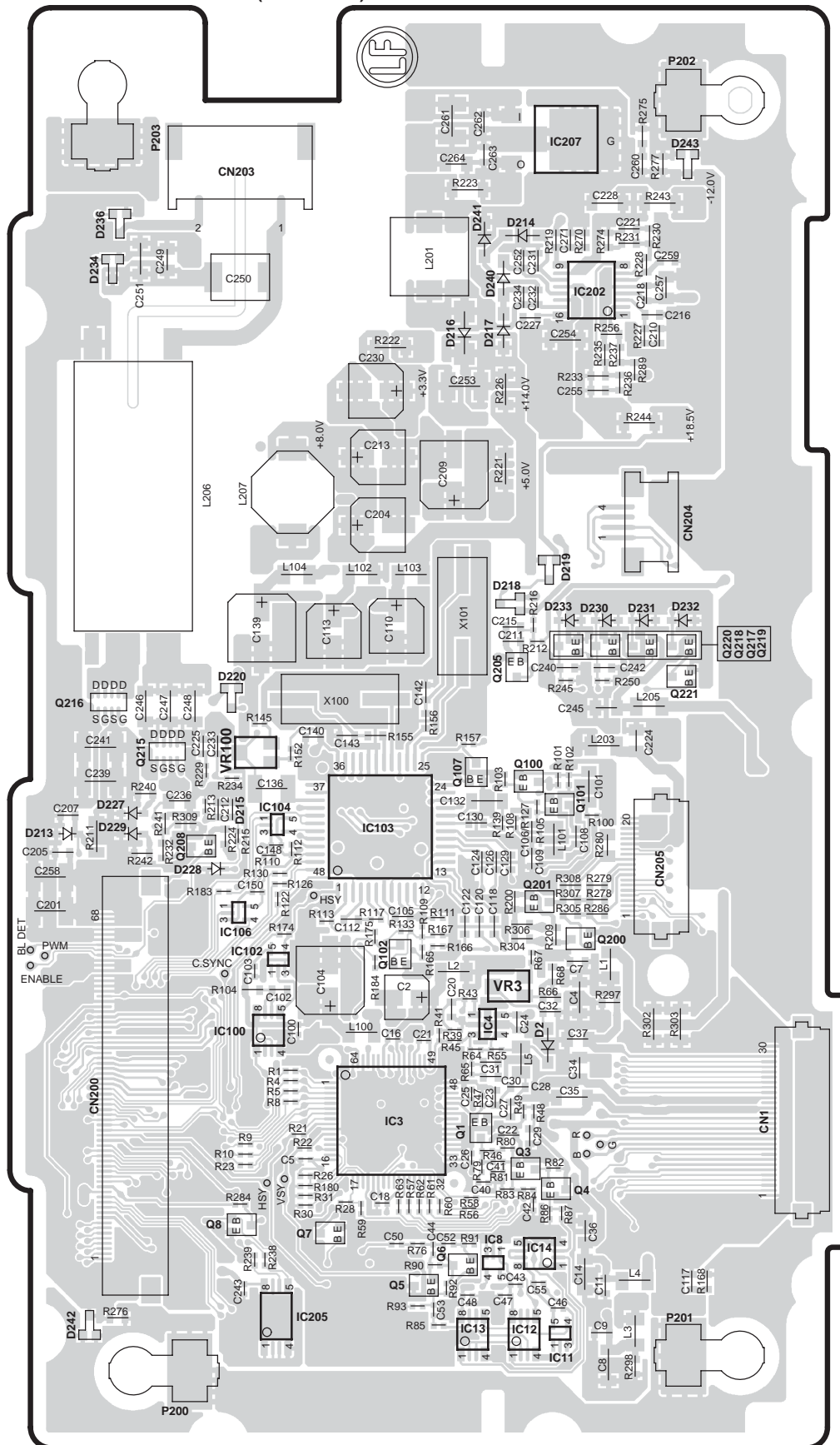
Ref. No.	Address
IC3	6AH
IC101	4AI
IC301	5AG
IC302	4AH
IC305	4AH
IC601	4AH
IC603	4AI
IC703	5AL
IC801	3AK
IC802	4AM
IC804	4AL
IC810	3AK
IC815	4AL
Q3	6AF
Q5	6AG
Q8	6AF
Q60	6AH
Q61	6AH
Q101	5AH
Q102	5AH
Q103	5AH
Q105	4AF
Q106	4AF
Q307	4AF
Q308	4AG
Q404	5AG
Q600	6AG
Q601	6AF
Q602	4AF
Q603	4AF
Q803	5AL
Q807	5AL

Refer to the schematic diagram for the values of resistors and capacitors.

DDX6019/6029/6029Y/6039

PC BOARD (COMPONENT SIDE VIEW)

VIDEO UNIT X35-467x-xx (J76-0198-22)



X35-467x-xx

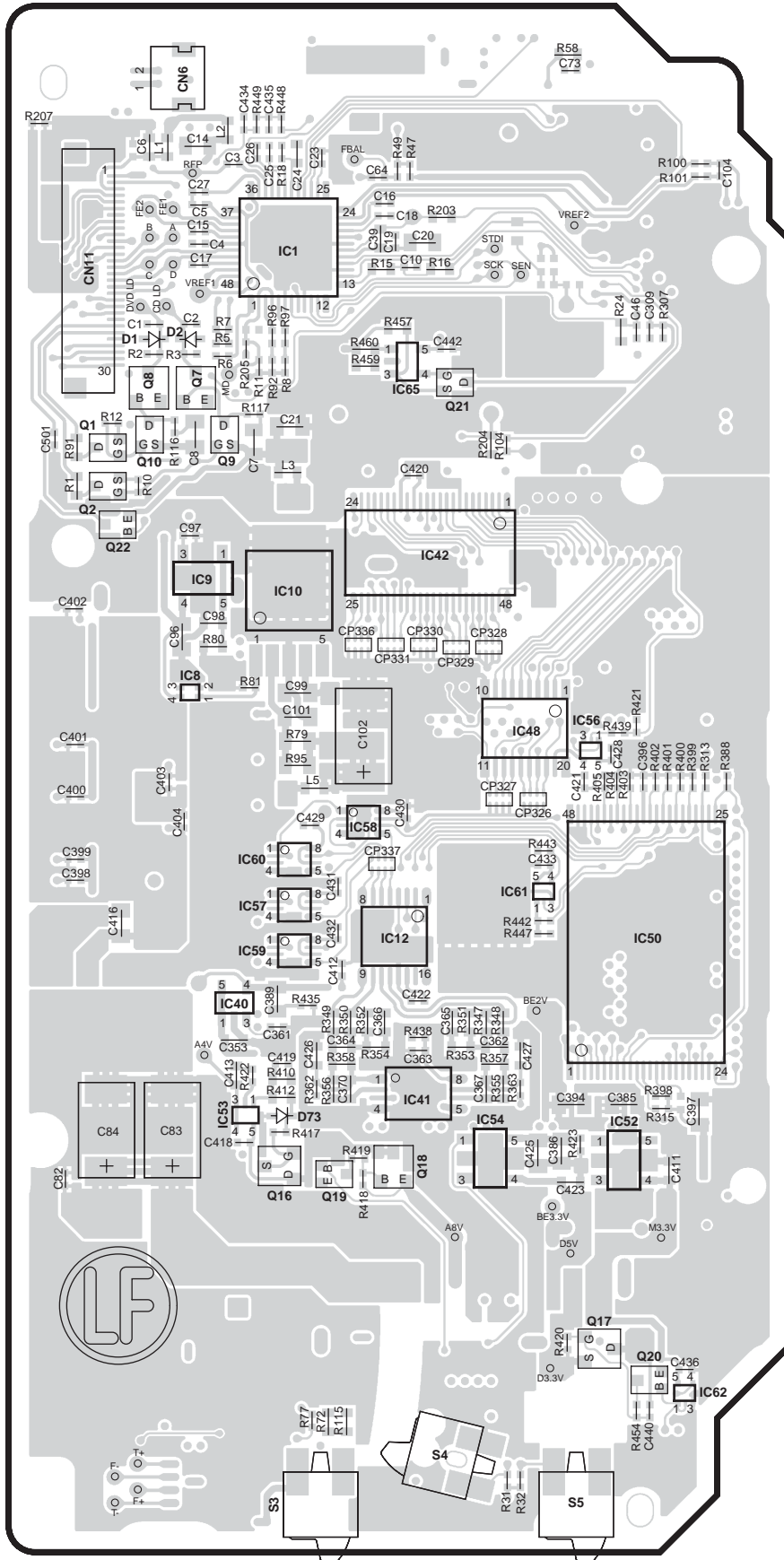
Ref. No.	Address
IC3	6AP
IC4	5AQ
IC8	6AQ
IC11	7AQ
IC12	7AQ
IC13	7AQ
IC14	6AQ
IC100	5AP
IC102	5AP
IC103	5AP
IC104	5AP
IC106	5AP
IC202	3AQ
IC205	7AP
IC207	2AQ
Q1	6AQ
Q3	6AQ
Q4	6AQ
Q5	6AP
Q6	6AQ
Q100	4AQ
Q102	5AP
Q107	4AQ
Q208	5AP
Q215	4AO
Q216	4AO
Q217	4AR
Q218	4AR
Q219	4AR
Q220	4AR
Q221	4AR

Refer to the schematic diagram for the values of resistors and capacitors.

DDX6019/6029/6029Y/6039

PC BOARD (COMPONENT SIDE VIEW)

DVD UNIT X37-1150-00 (J76-0164-12)



X37-1150-00

Ref. No.	Address
IC1	2AZ
IC8	4AZ
IC9	3AZ
IC10	4AZ
IC12	5AZ
IC40	5AZ
IC41	5AZ
IC42	3BA
IC48	4BA
IC50	5BA
IC52	5BA
IC53	5AZ
IC54	5BA
IC56	4BA
IC57	5AZ
IC58	4AZ
IC59	5AZ
IC60	5AZ
IC61	5BA
IC62	6BB
IC65	3AZ
Q1	3AY
Q2	3AY
Q7	3AZ
Q8	3AY
Q9	3AZ
Q10	3AY
Q16	6AZ
Q17	6BA
Q18	6AZ
Q19	6AZ
Q20	6BA
Q21	3BA
Q22	3AY

Refer to the schematic diagram for the values of resistors and capacitors.

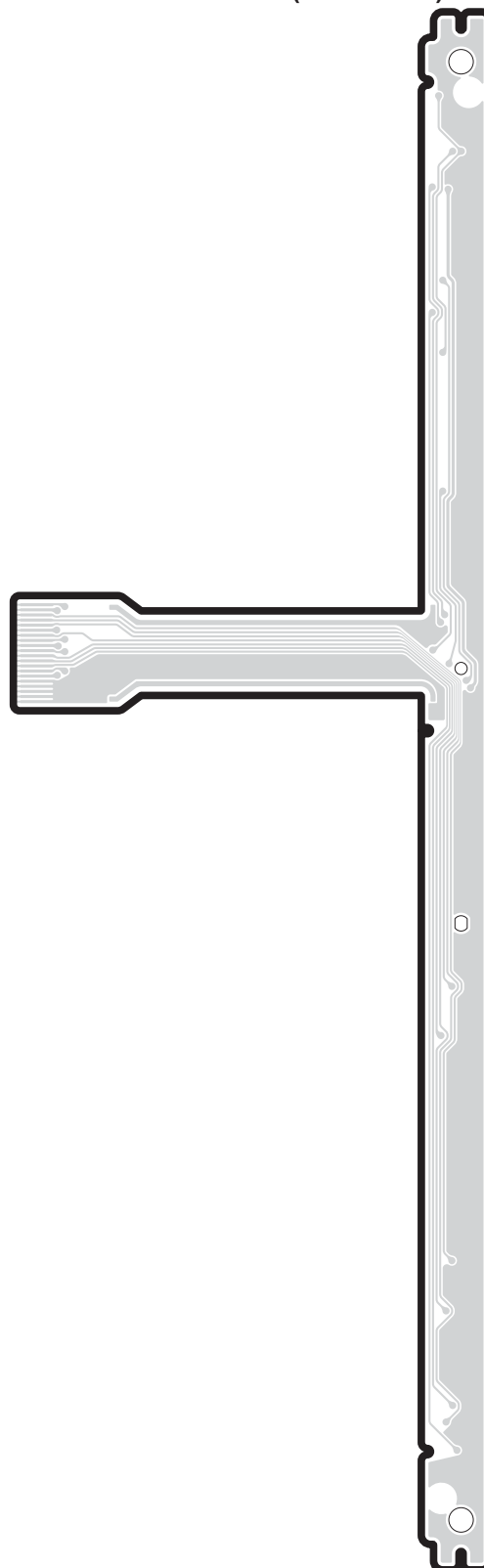
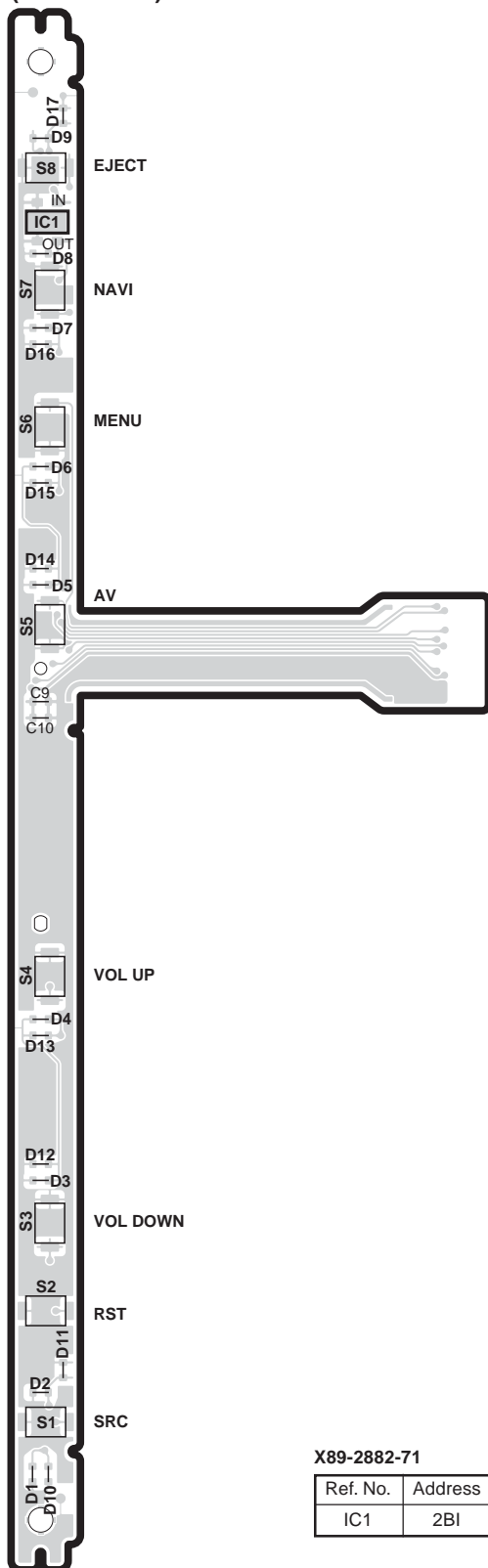
DDX6019/6029/6029Y/6039

PC BOARD (COMPONENT SIDE VIEW)

(FOIL SIDE VIEW)

DAUGHTER UNIT
X89-2882-71
(J86-0023-05)

DAUGHTER UNIT
X89-2882-71
(J86-0023-05)

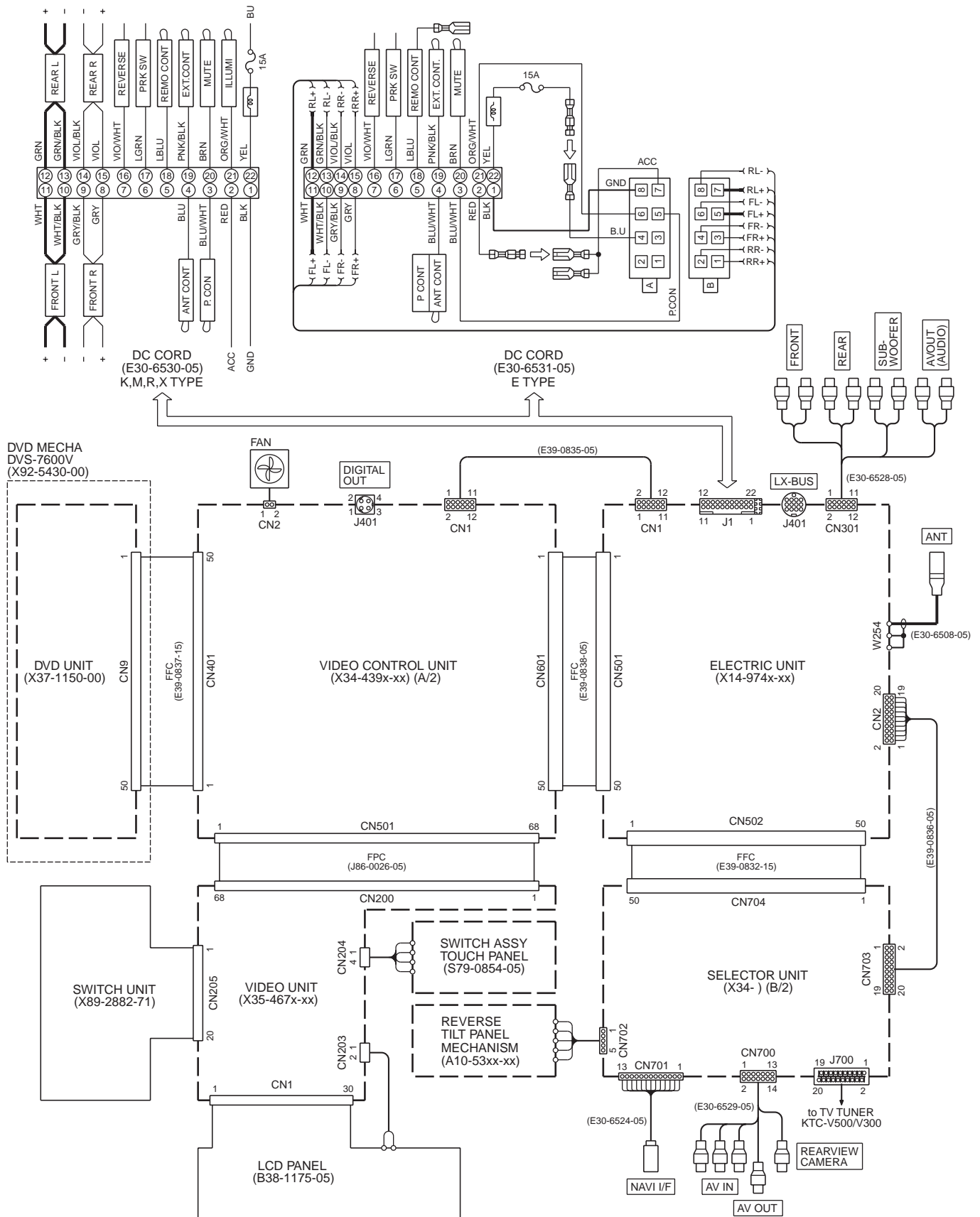


X89-2882-71

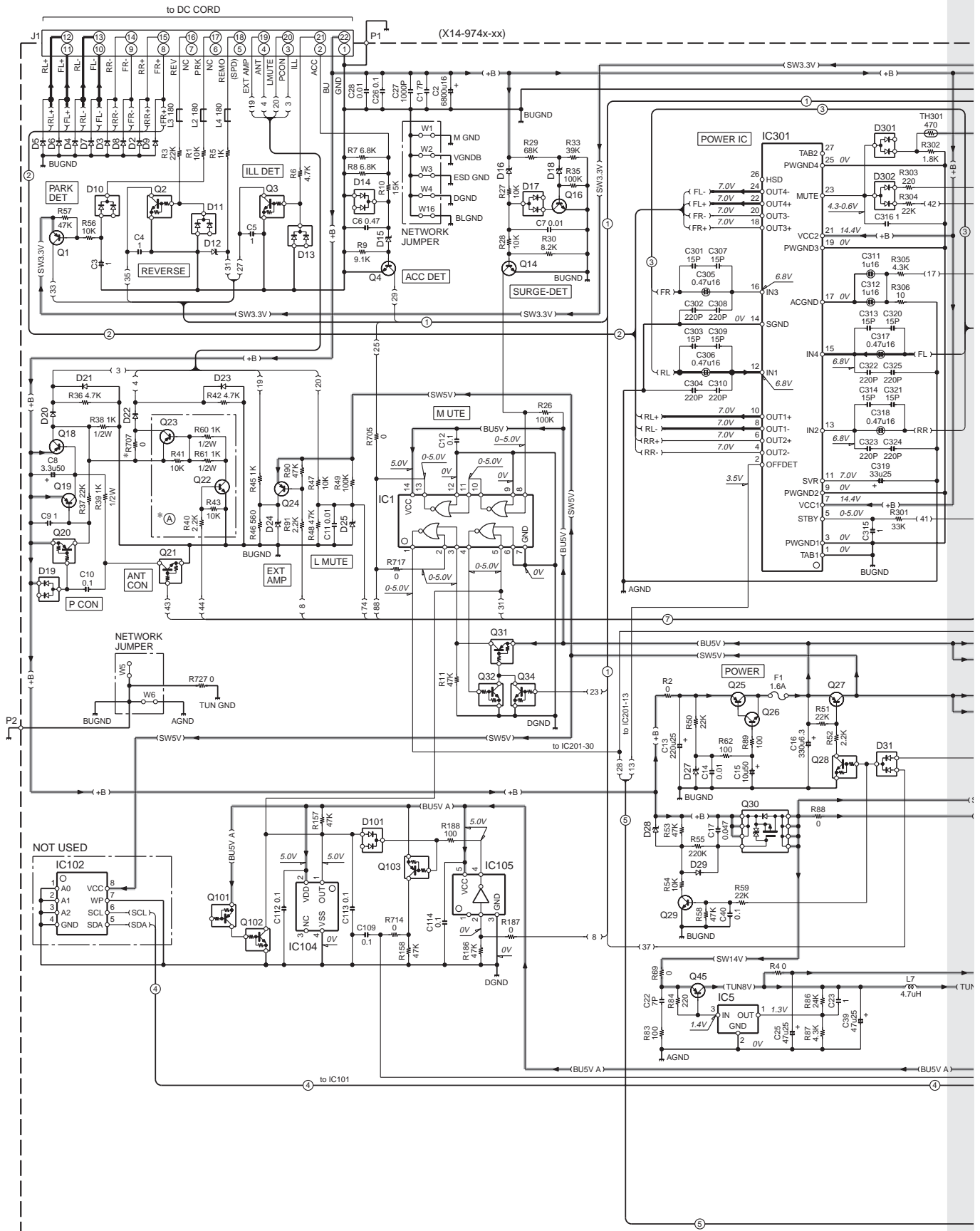
Ref. No.	Address
IC1	2BI

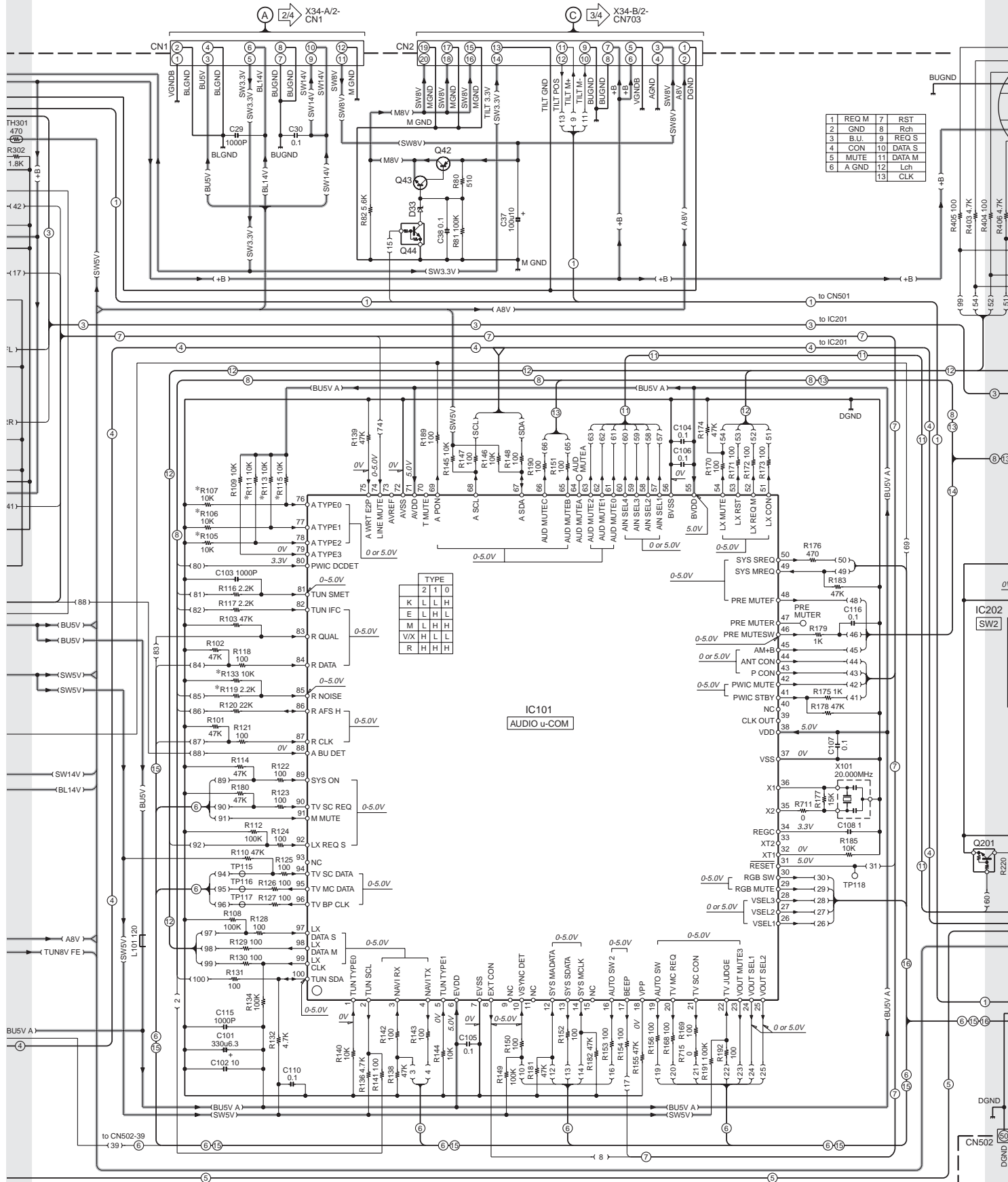
Refer to the schematic diagram for the values of resistors and capacitors.

INTERCONNECTION DIAGRAM

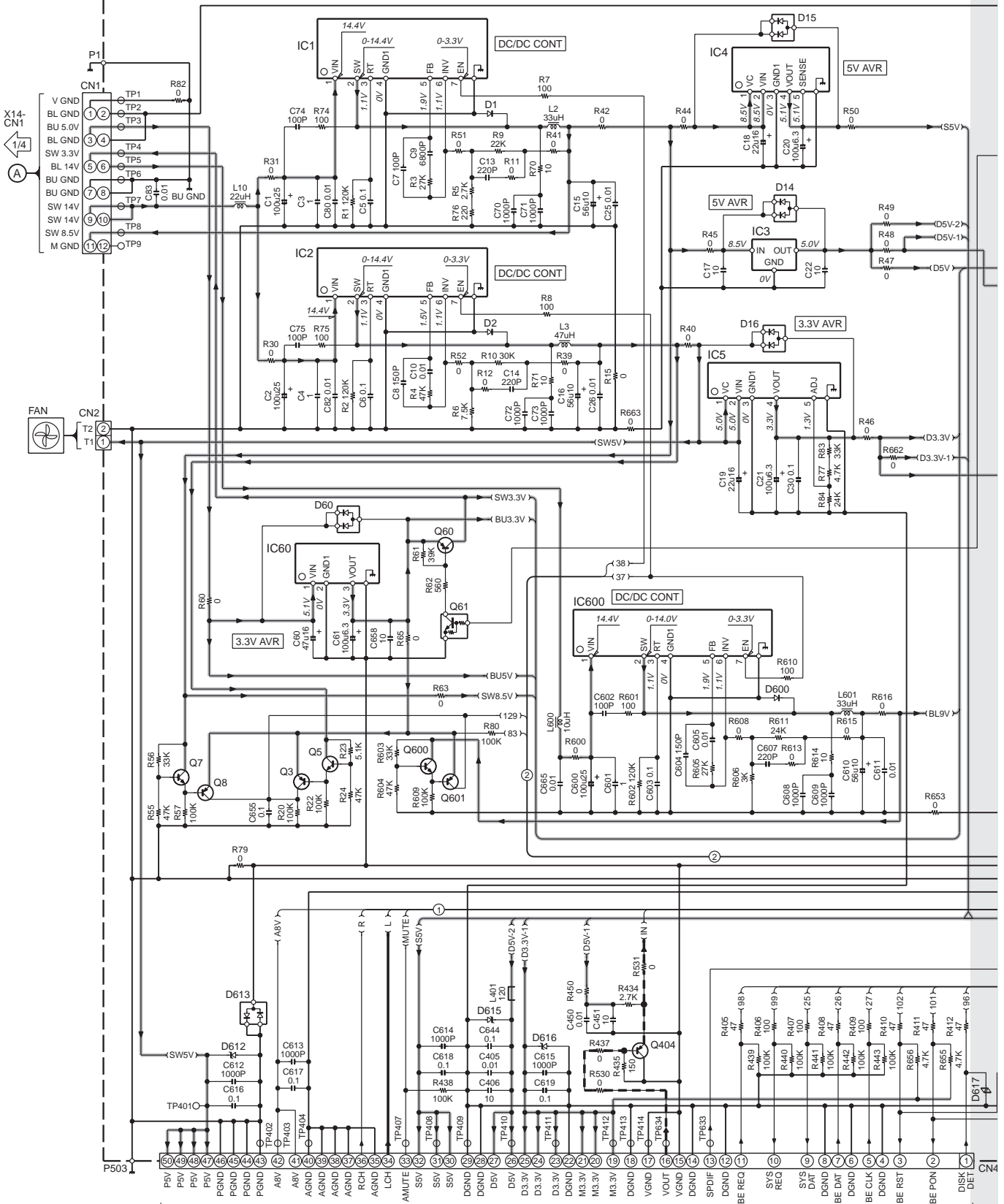


DDX6019/6029/6029Y/6039





(X34-439x-xx) (A/2)

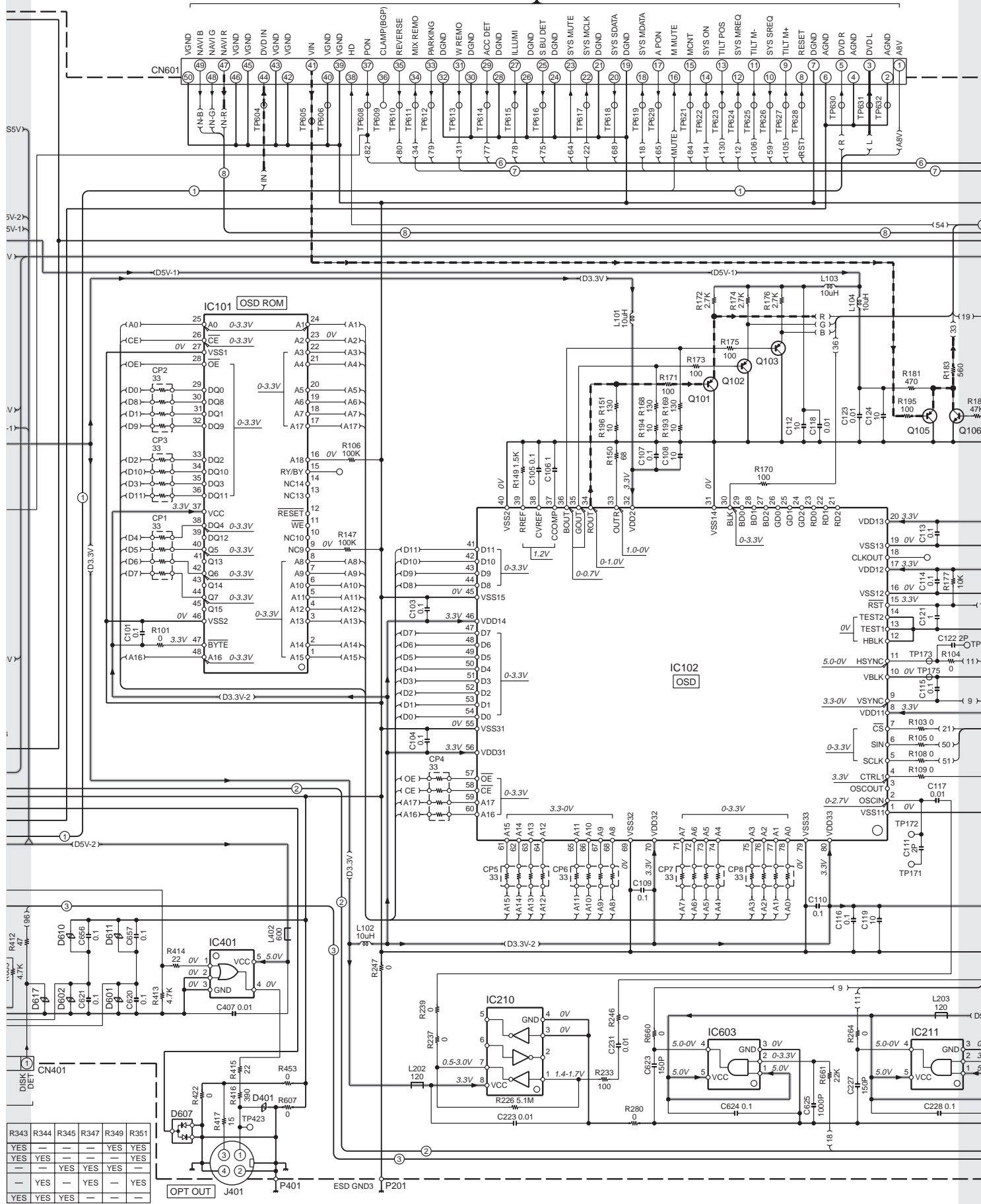


IC1,2,600 : BD9781HFP	IC211,305,603 : TC7SET08FU-F	Q3,8,101-103,105,404,601 : 2SA1576A	D12,600 : EC31QS04AG	---	VIDEO LINE
IC3 : SI-3050LUS	IC301 : TC74VHC08AFT	Q5,7,106,600 : 2SC4081	D14-16,60 : DAP202U	---	SIGNAL LINE
IC4 : SI-3050KD	IC302 : BR24L02FV-W	Q60,602 : 2SB1689	D301,509,601,602,610,611,617 : AVRM1608120M6A	---	GND LINE
IC5 : SI-3012KD	IC303 : S-80830CNNB-G	Q61 : DTC114EUA	D401 : AVRM1608270MAA	---	+B LINE
IC60 : SI-3033KMS	IC304 : 703266YGJ504A	Q301,308 : DTC144EUA	D603 : AVRM1608180M6A	---	
IC101 : 23L1613TI95V6	IC401 : TC7SET32FU-F	Q302 : DTA114EUA	D607,613 : DA204U	---	
IC102 : LC74735NW9817E	IC601 : TC7W14FU-F	Q307 : DTA124EUA	D612,615 : UDZS6.2B	---	
IC210 : TC7WHU04FU-F		Q603 : DTC143ZUA	D616 : UDZS5.6B	---	

(X34-439x-xx) (A/2)		UNIT No.	C304	IC302	R343	R344
MODEL NAME						
DDX6019	K	0-10	---	---	YES	---
DDX6039	M1	0-21	---	---	YES	YES
DDX6039	X1	0-71	---	---	---	---
DDX6029	X1	0-71	---	---	---	---
DDX6029Y	E2	2-71	YES	YES	---	YES
DDX6039	R1	3-21	---	---	YES	YES

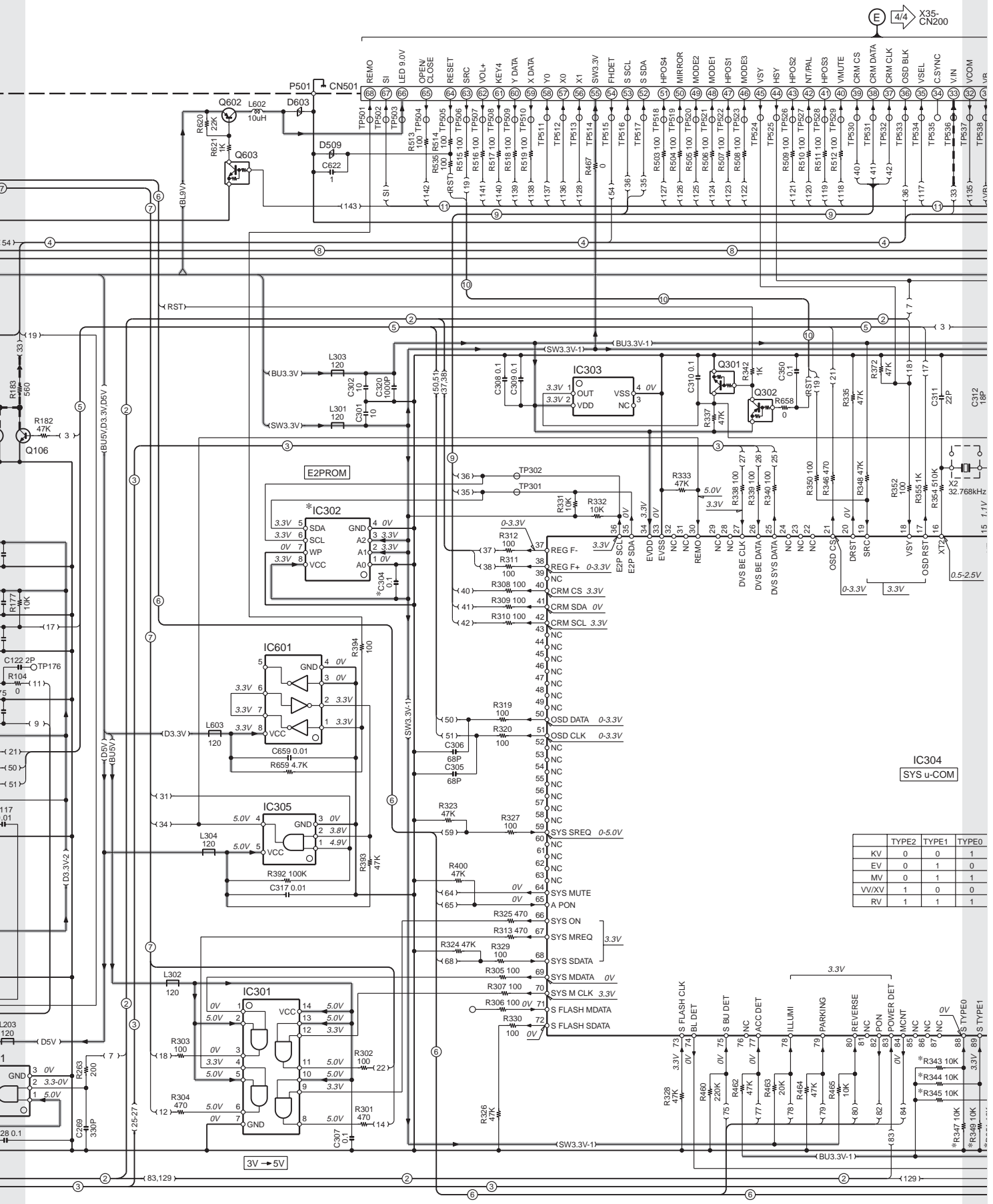
DDX6019/6029/6029Y/6039

X14- CN501 1/4 B



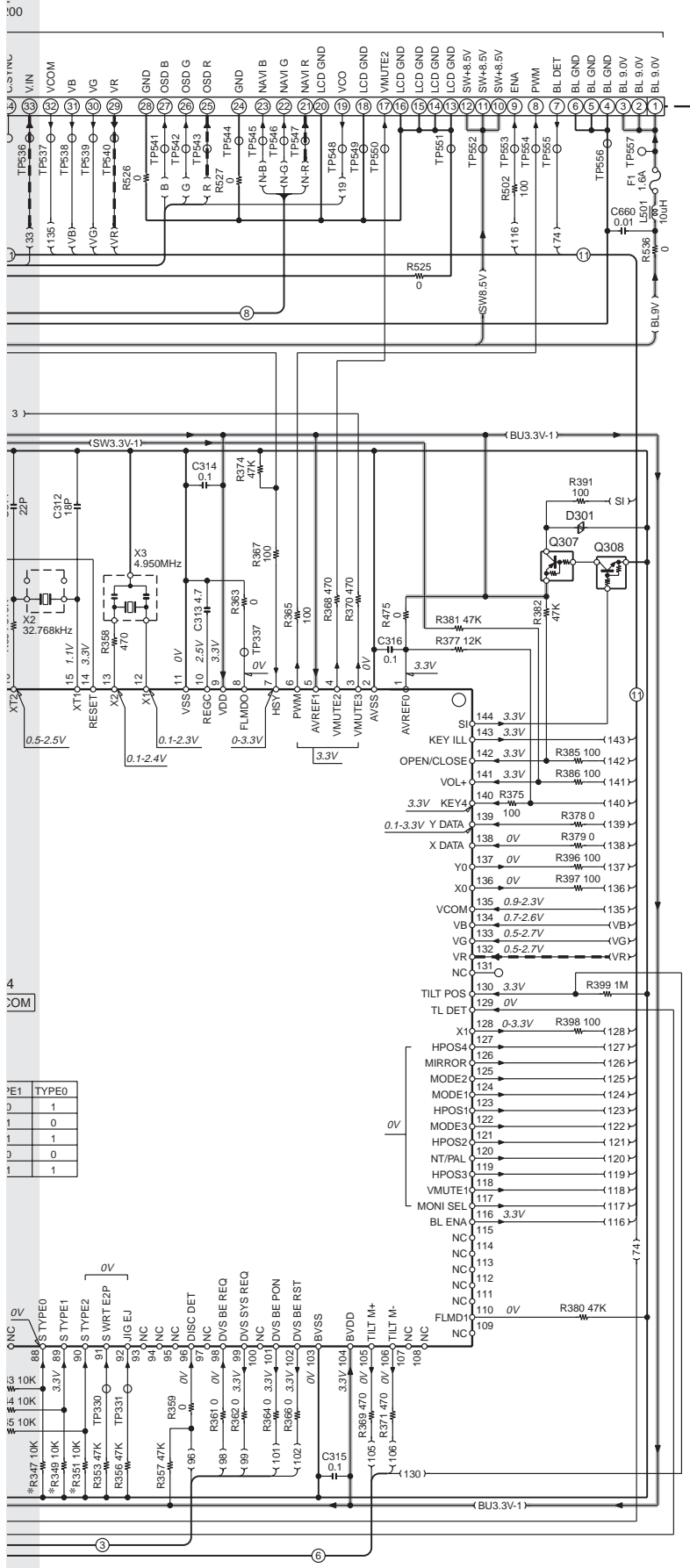
R343	R344	R345	R347	R349	R351
YES	—	—	—	YES	YES
—	YES	—	—	—	—
—	—	YES	YES	YES	—
—	YES	—	—	—	—
YES	YES	YES	—	—	—

DDX6019/6029/6029Y/6039



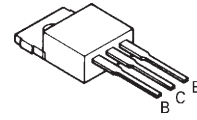
**IC304
SYS u-COM**

	TYPE2	TYPE1	TYPE0
KV	0	0	1
EV	0	1	0
MV	0	1	1
VV/XV	1	0	0
RV	1	1	1



DDX6019/6029/6029Y/6039 (2/4)

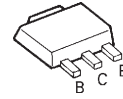
2SB1565



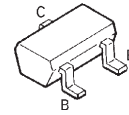
DTA144EUA
DTC114YUA
2SA1576A



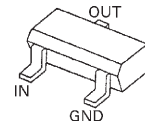
2SB1188



DTC323TU
2SC4081



DTA114EUA
DTA124EUA
DTC114EUA
DTC123JUA
DTC124EUA
DTC143EUA
DTC144EUA

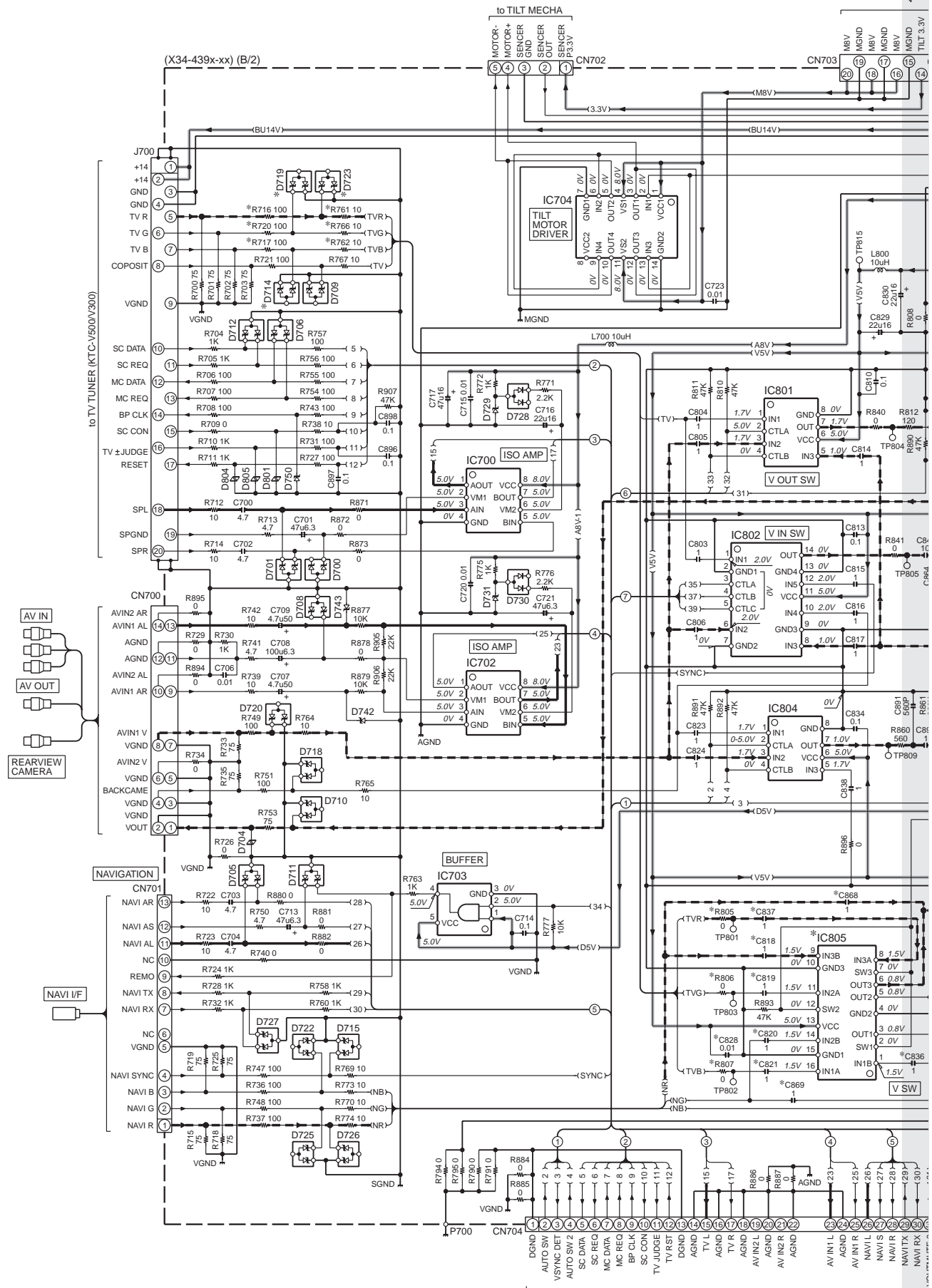


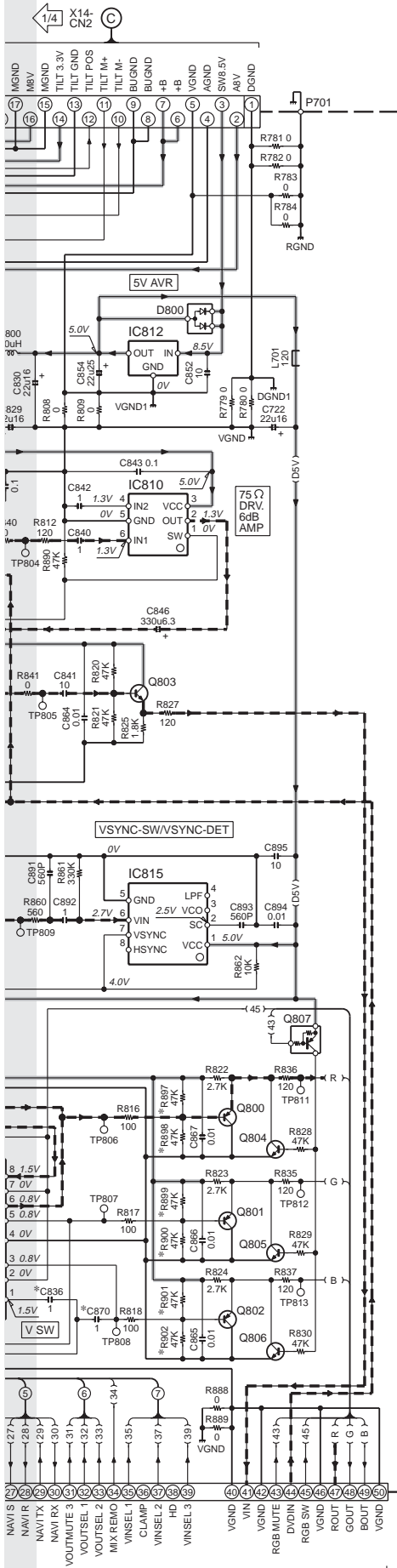
CAUTION : For continued safety, replace safety critical components only with manufacturer's recommended parts (refer to parts list).

⚠ Indicates safety critical components. To reduce the risk of electric shock, leakage-current or resistance measurements shall be carried out (exposed parts are acceptably insulated from the supply circuit) before the appliance is returned to the customer.

- DC voltages are as measured with a high impedance voltmeter. Values may vary slightly due to variations between individual instruments or/and units.

1
2
3
4
5
6
7





- IC700,702 : BA3121F
- IC703 : TC7S08FU-F
- IC704 : LB1836M-TLM-E
- IC801,804 : BA7653AFV
- IC802 : BA7649F
- IC805 : MM1234XFBE-E
- IC810 : MM1508XNRE-E
- IC812 : SI-3050LUS
- IC815 : MM1108XFFE-E

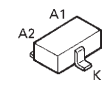
- Q800-802 : 2SA1576A
- Q803-806 : 2SC4081
- Q807 : DTA124EUA

- D700,706,708-712,714,715,719,720,722,723,725-727 : STZ6.2N
- D701,705,718 : STZ6.8N
- D704 : AVR1608270MAA
- D728,730,800 : DAP202U
- D729,731 : UDZS4.7B
- D742,743 : UDZS8.2B
- D750 : UDZS6.2B
- D801 : AVR1608180M6A
- D804,805 : AVR1608120M6A

(X34-439x-xx)

MODEL NAME	UNIT No.	C818-821	C868-870	D714, 719,723	IC805	R716,717,720,761, 762,766,805-807	R897-902
DDX6019	K	0-10	—	YES	—	—	YES
DDX6039	M1	0-21	—	YES	—	—	YES
DDX6039	X1	0-71	—	YES	—	—	YES
DDX6029	E1	—	—	—	—	—	—
DDX6029Y	E2	2-71	YES	—	YES	YES	—
DDX6039	R1	3-21	—	YES	—	—	YES

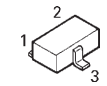
DAN202U



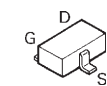
DAP202U

DA204U

DTA114YUA



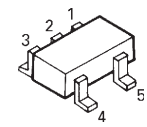
2SK210-F



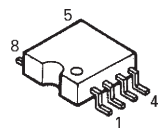
TC7SH04FU-F

TC7SH08FU-F

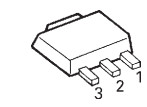
TC7S08FU-F



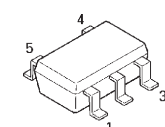
BA3121F



M5237ML-CF0J



TC7SET08FU-F



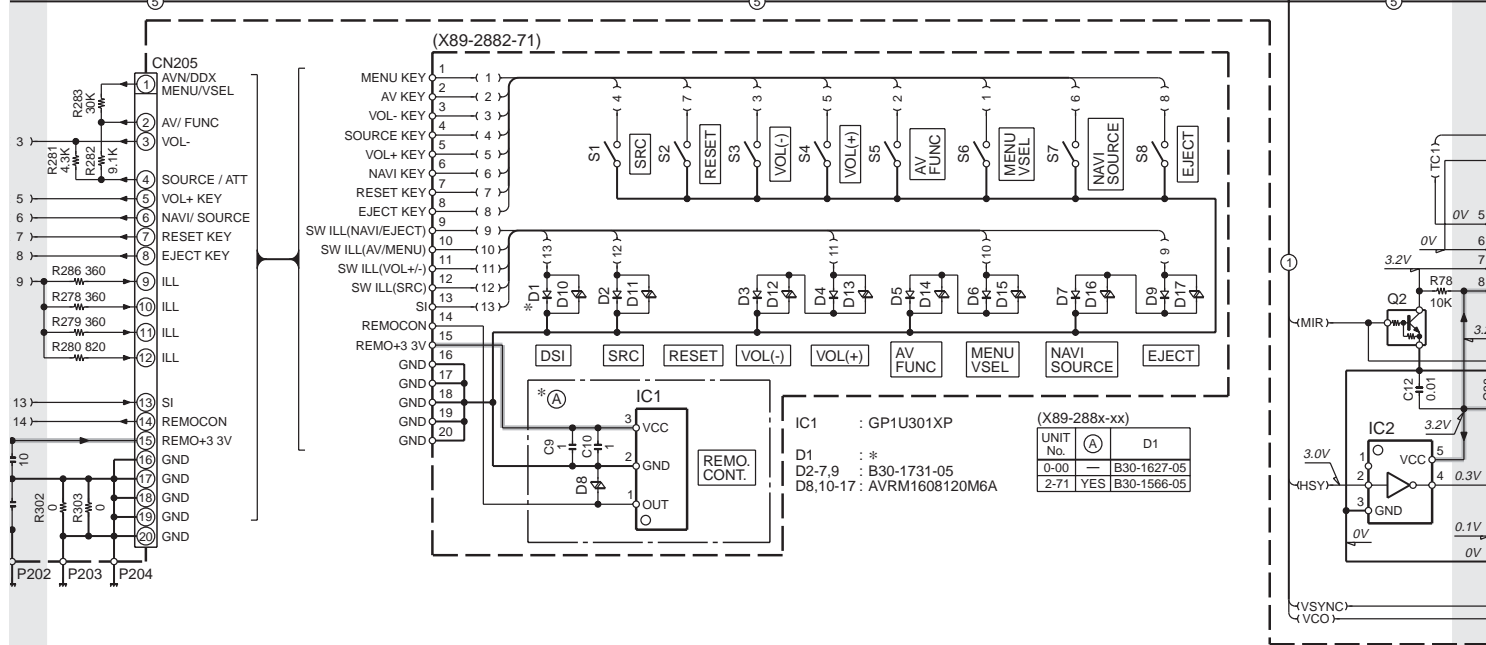
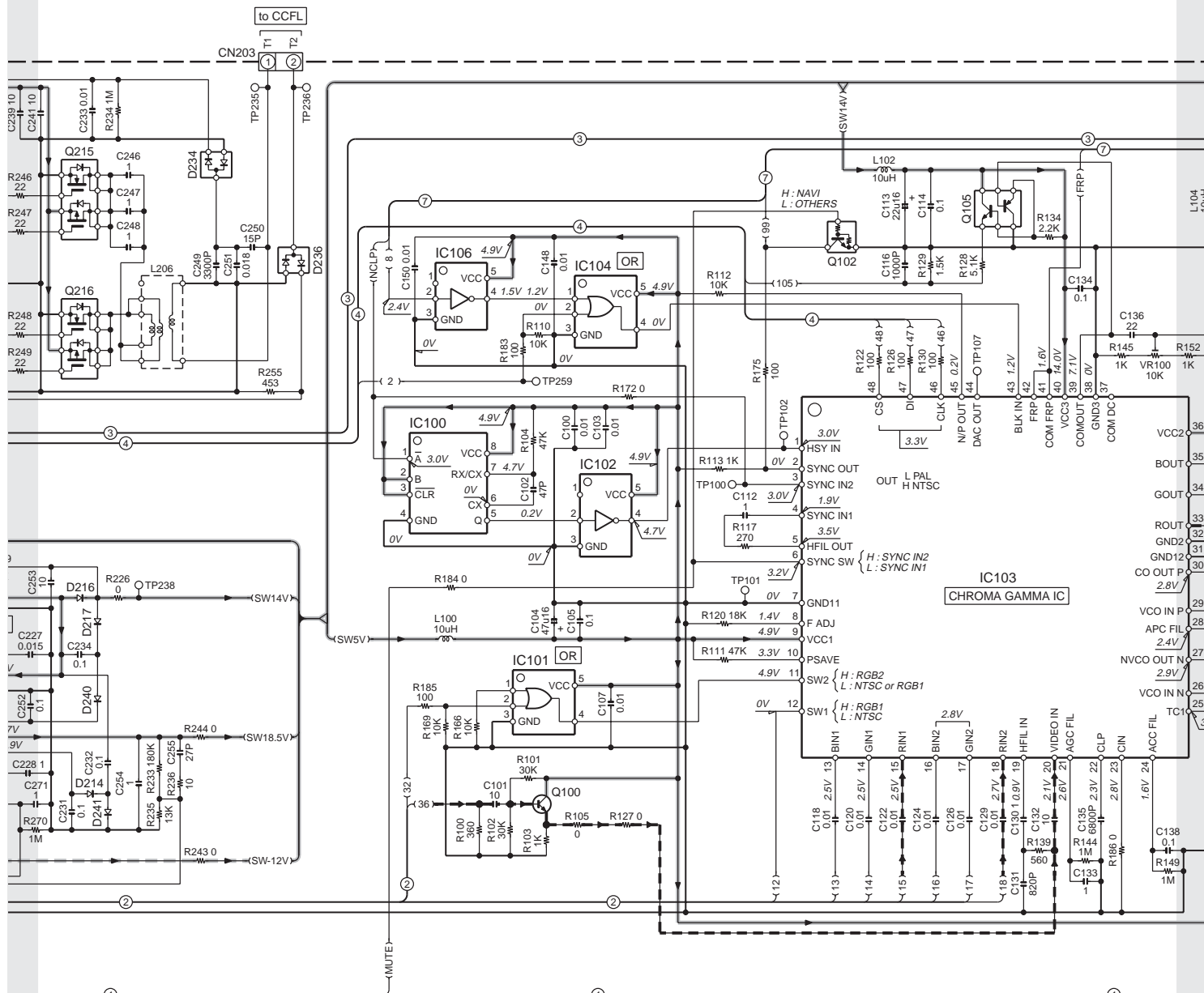
CAUTION : For continued safety, replace safety critical components only with manufacturer's recommended parts (refer to parts list).

⚠ Indicates safety critical components. To reduce the risk of electric shock, leakage-current or resistance measurements shall be carried out (exposed parts are acceptably insulated from the supply circuit) before the appliance is returned to the customer.

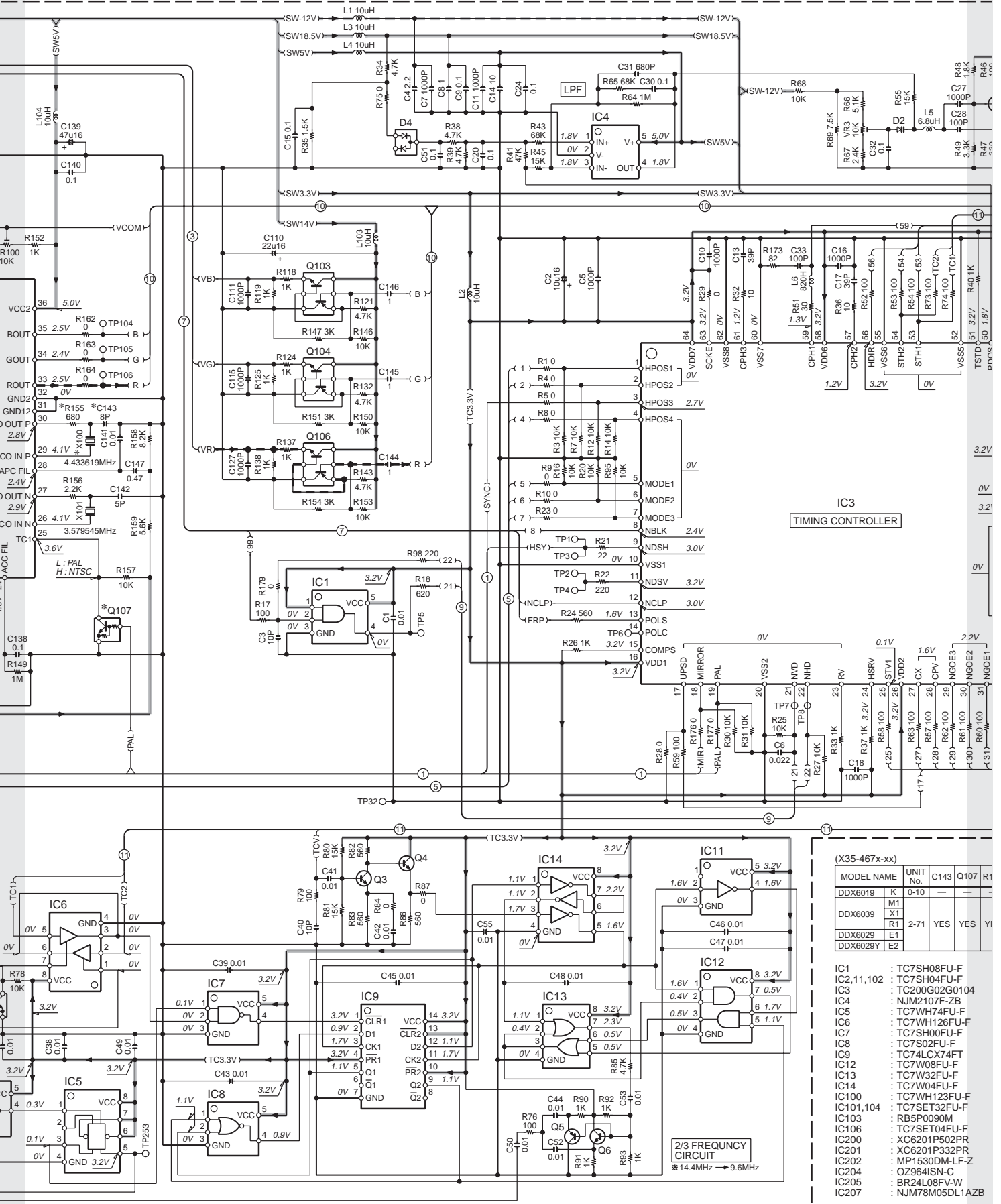
- DC voltages are as measured with a high impedance voltmeter. Values may vary slightly due to variations between individual instruments or/and units.

DDX6019/6029/6029Y/6039 (3/4)

DDX6019/6029/6029Y/6039

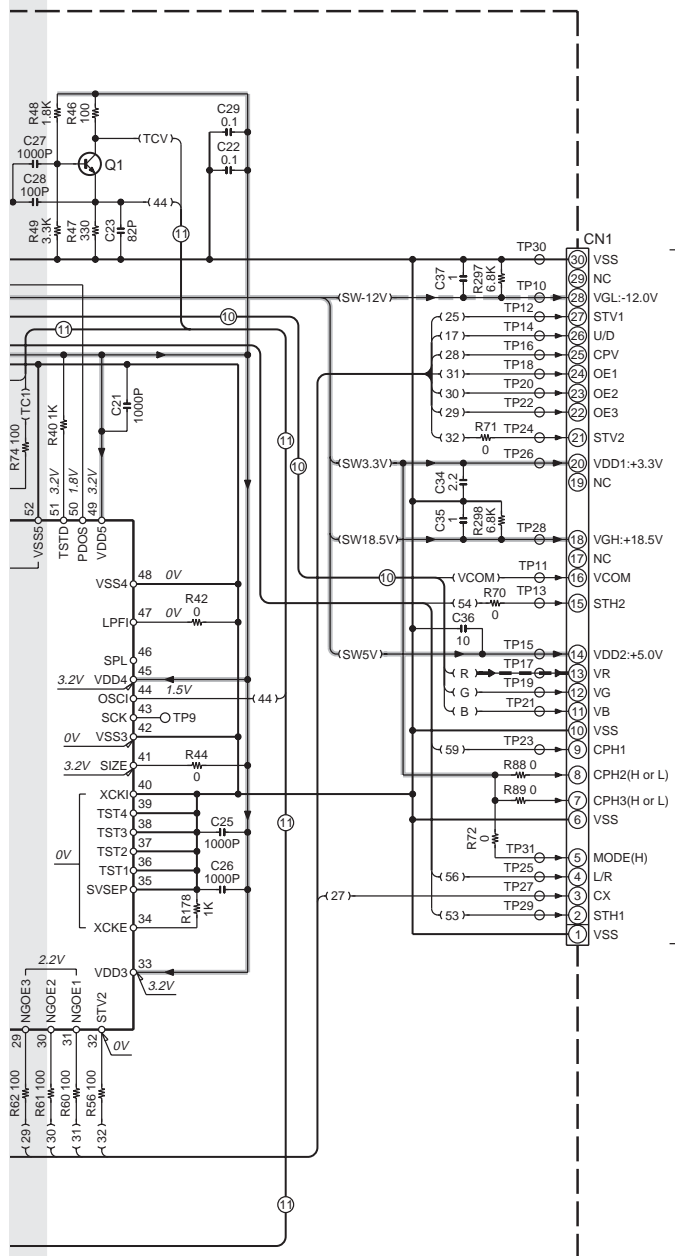


DDX6019/6029/6029Y/6039



MODEL NAME	UNIT No.	C143	Q107	R1
DDX6019	K	0-10		
DDX6039	M1			
DDX6029	X1			
DDX6029Y	R1	2-71	YES	YES
DDX6029	E1			
DDX6029Y	E2			

- IC1 : TC7S08FU-F
- IC2,11,102 : TC7S04FU-F
- IC3 : TC200G02G0104
- IC4 : NJM2107F-ZB
- IC5 : TC7WH74FU-F
- IC6 : TC7WH126FU-F
- IC7 : TC7S00FU-F
- IC8 : TC7S02FU-F
- IC9 : TC74LCX74FT
- IC12 : TC7W08FU-F
- IC13 : TC7W32FU-F
- IC14 : TC7W04FU-F
- IC100 : TC7WH123FU-F
- IC101,104 : TC7SET32FU-F
- IC103 : RB5P0090M
- IC106 : TC7SET04FU-F
- IC200 : XC6201P502PR
- IC201 : XC6201P332PR
- IC202 : MP1530DM-LF-Z
- IC204 : OZ9641SN-C
- IC205 : BR24L08FV-W
- IC207 : NJM78M05DL1AZB



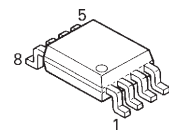
43	Q107	R155	X100
ES	YES	YES	YES

- - - - - VIDEO LINE
 ———— GND LINE
 ———— +B LINE
 - - - - - -B LINE

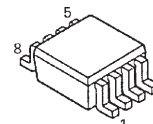
FU-F	Q1	: 2SC4097
FU-F	Q2,221	: DTC124EUA
2G0104	Q3,4,6,100,208,210	
-ZB	Q5	: 2SC4081
FU-F	Q5	: 2SA1576A
6FU-F	Q102,107	: DTC143ZUA
FU-F	Q103-106	: UMZ1N
J-F	Q215,216	: SI5504DC-E3
74FT	Q217,219	: DTA123JUA
U-F	Q218,220	: DTC123JUA
U-F		
U-F	D2	: MA2X335
3FU-F	D4,234,236	: DA204U
2FU-F	D200-202,204,206,210,	
2M	211,215,235,237-239,	
4FU-F	244	: AVR1M1608120M6A
502PR	D213	: UDZS5.6B
332PR	D214,217,240,241	
M-LF-Z		: EP05Q04
I-C	D216	: EC10QS04AG
V-W	D221	: 1SS355
5DL1AZB	D227,229	: UDZS4.7B
	D228	: MA2S784-F
	D230-233	: UDZS5.1B

DDX6019/6029/6029Y/6039 (4/4)

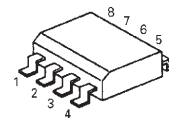
NJM4580V-ZB
 TC7WHU04FU-F
 TC7WH123FU-F
 TC7WH126FU-F



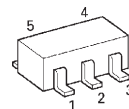
TC7W04FU-F



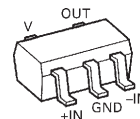
TC7WH74FU-F



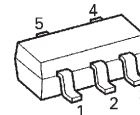
TC7S02FU-F



NJM2107F-ZB



TC7SET04FU-F

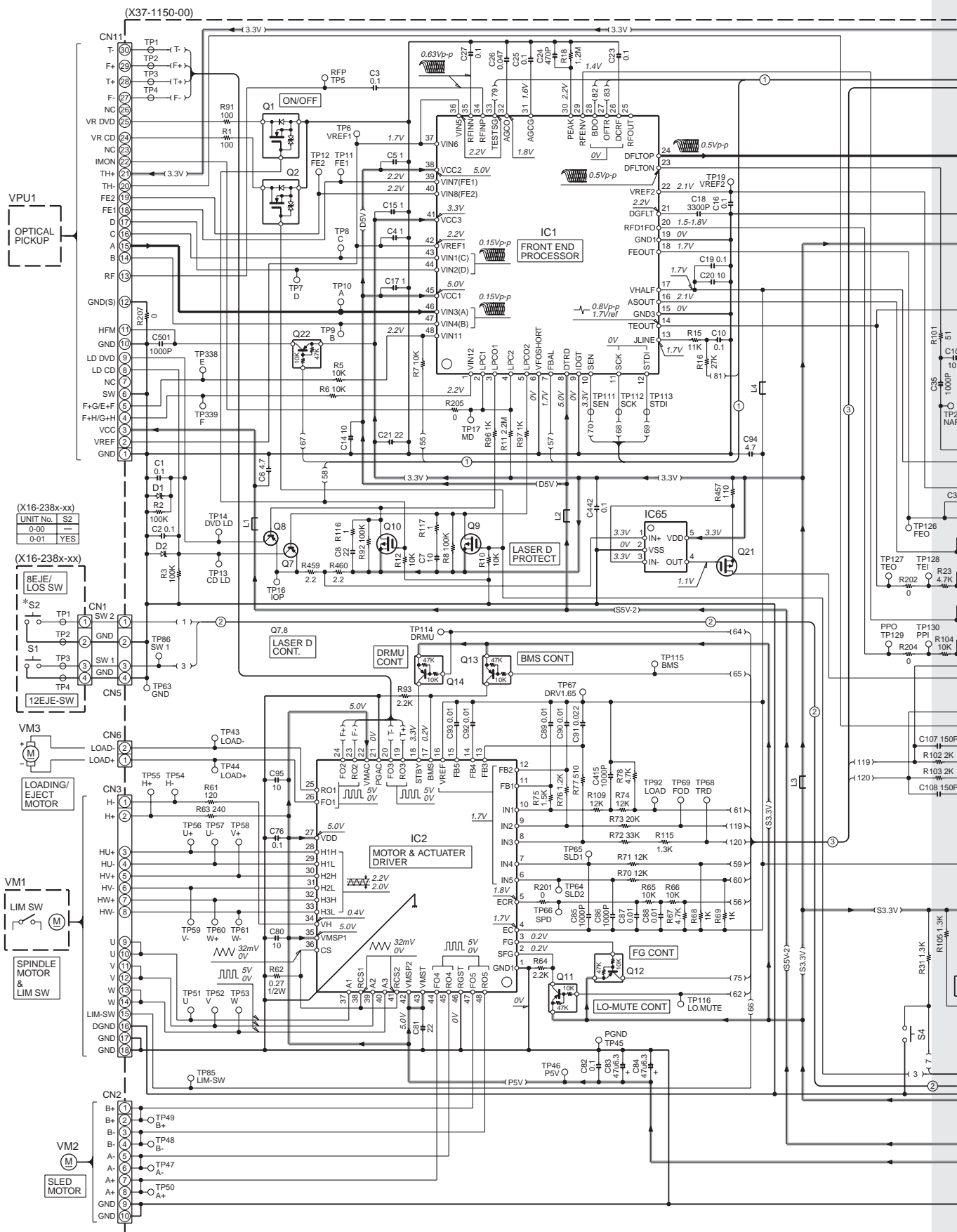


CAUTION : For continued safety, replace safety critical components only with manufacturer's recommended parts (refer to parts list).
 ⚠ Indicates safety critical components. To reduce the risk of electric shock, leakage-current or resistance measurements shall be carried out (exposed parts are acceptably insulated from the supply circuit) before the appliance is returned to the customer.

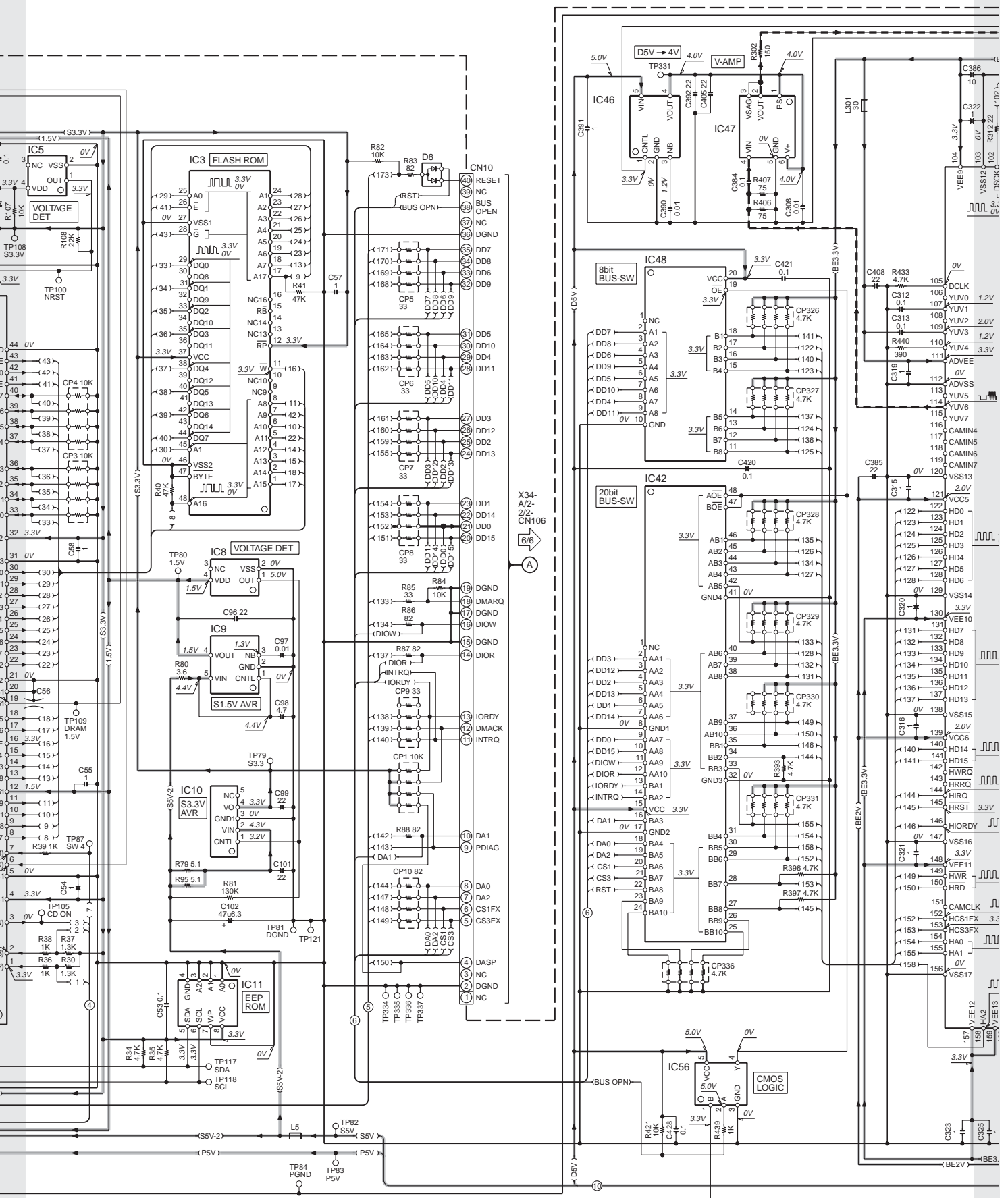
- DC voltages are as measured with a high impedance voltmeter. Values may vary slightly due to variations between individual instruments or/and units.

DDX6019/6029/6029Y/6039

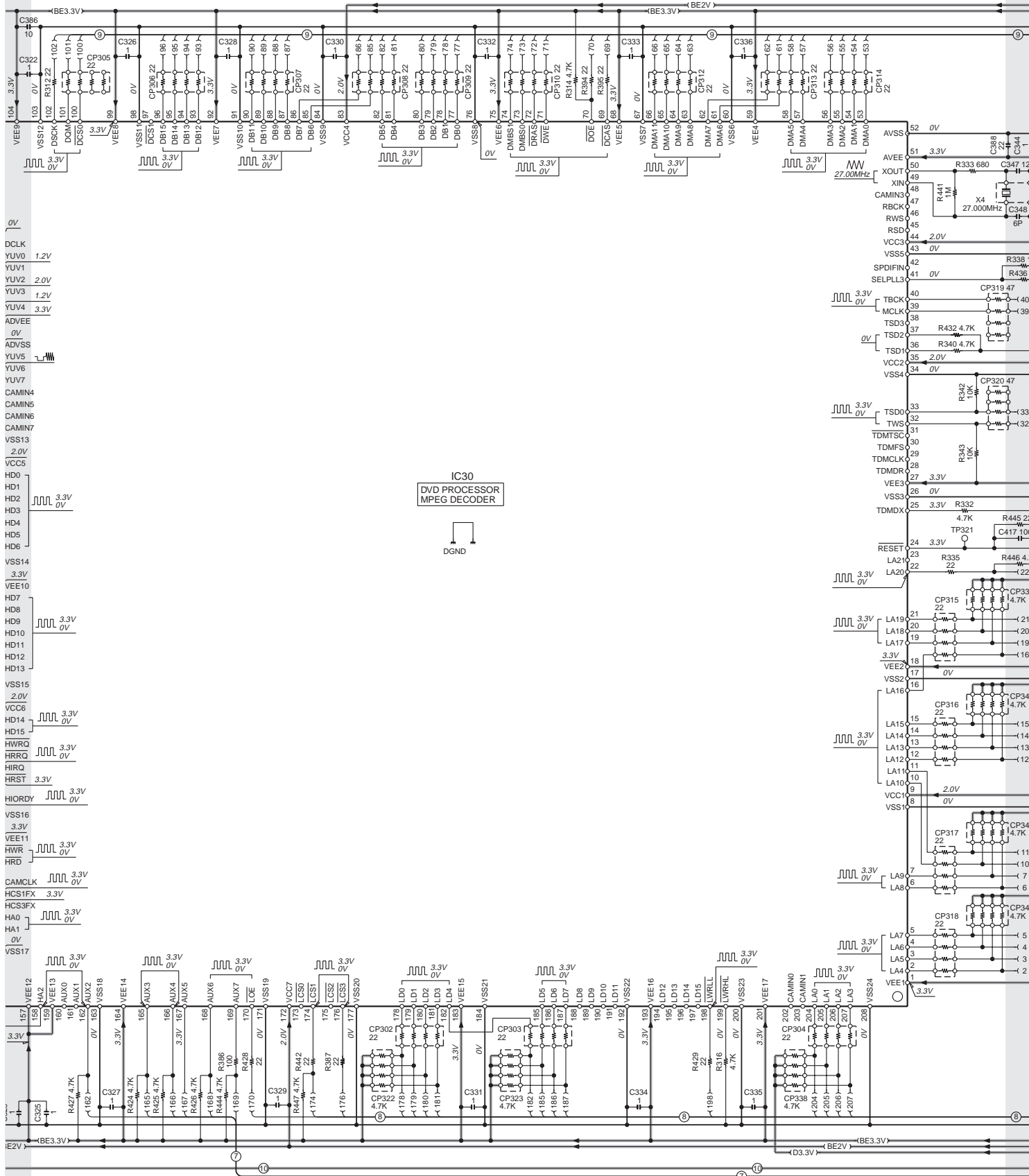
1
2
3
4
5
6
7



DDX6019/6029/6029Y/6039

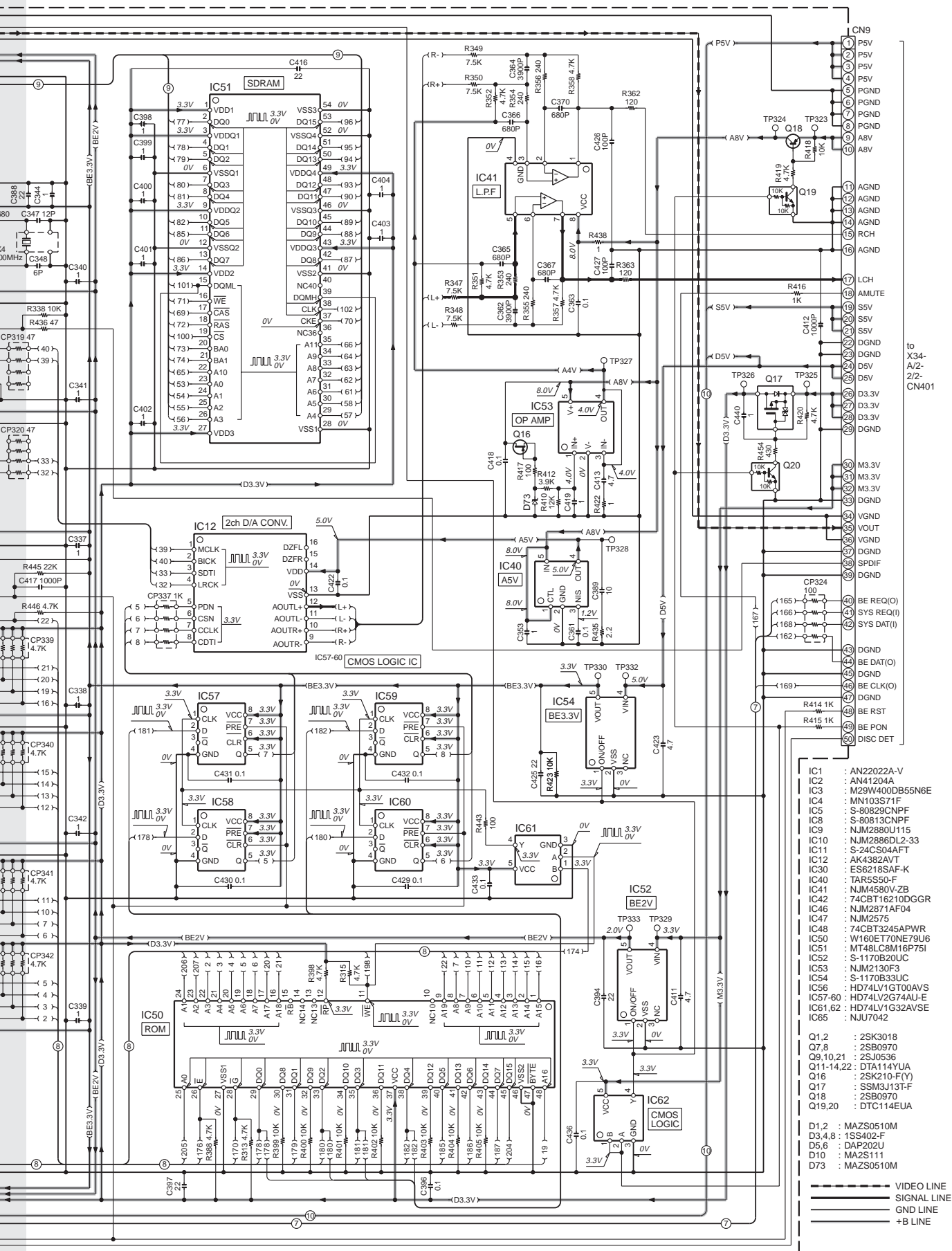


DDX6019/6029/6029Y/6039



CAUTION : For continued safety, replace safety critical components only with manufacturer's recommended parts (refer to parts list).
 ⚠ Indicates safety critical components. To reduce the risk of electric shock, leakage-current or resistance measurements shall be carried out (exposed parts are acceptably insulated from the supply circuit) before the appliance is returned to the customer.

DDX6019/6029/6029Y/6039

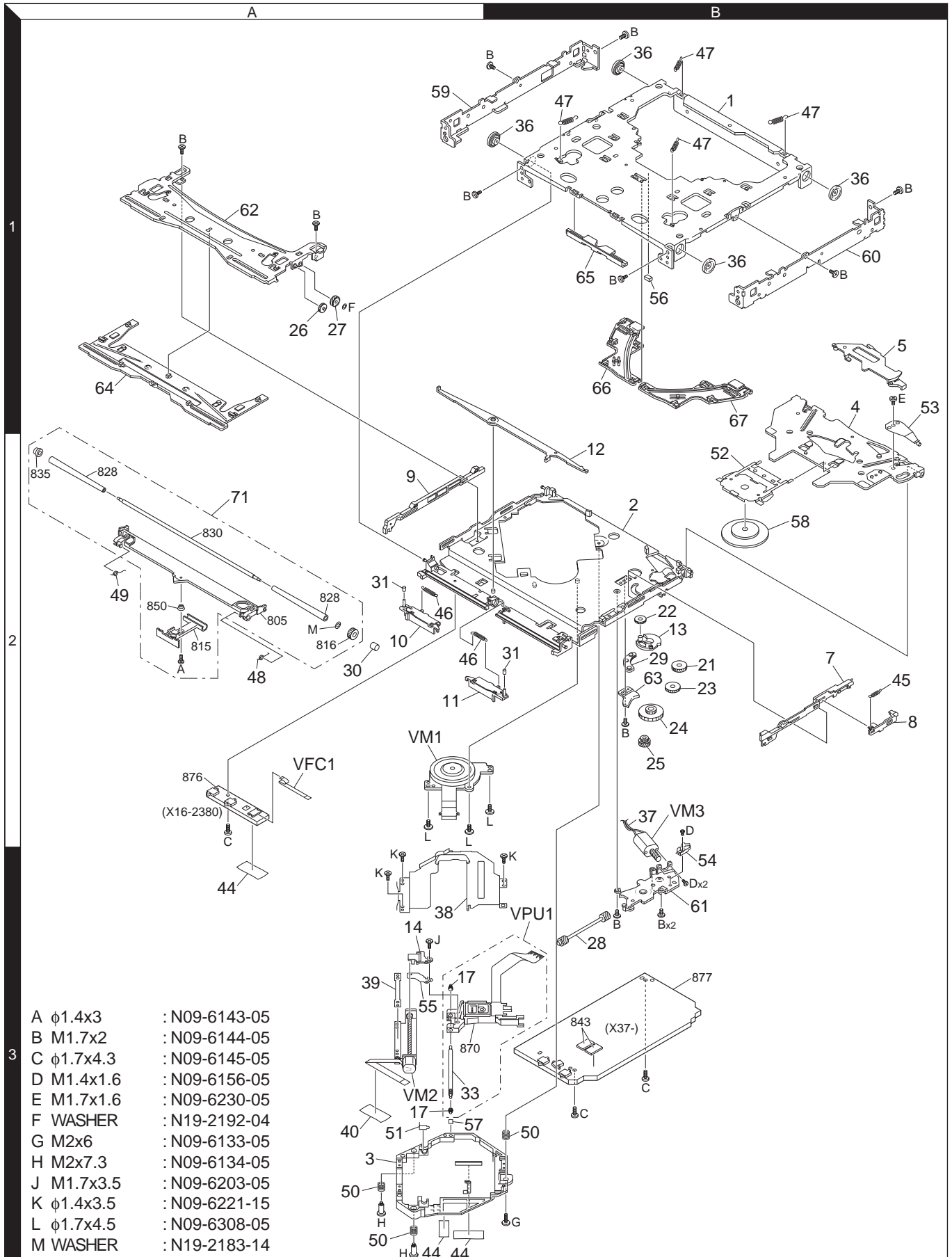


• DC voltages are as measured with a high impedance voltmeter.
 Values may vary slightly due to variations between individual instruments or/and units.

- IC1 : AN2022A-V
 - IC2 : AN4120A
 - IC3 : M29W400B55N6E
 - IC4 : MN103S71F
 - IC5 : S-80829CNPF
 - IC8 : S-80813CNPF
 - IC9 : NJM2880U115
 - IC10 : NJM2886DL2-33
 - IC11 : S-24CS04AFT
 - IC12 : AK4382AV1
 - IC30 : ES52185AF-K
 - IC40 : TAR5550-F
 - IC41 : NJM4580V-ZB
 - IC42 : 74CBT16210DGGR
 - IC46 : NJM2871AF04
 - IC47 : NJM2575
 - IC48 : 74CBT3245APWR
 - IC50 : W160ET70NE79U6
 - IC51 : MT48LC8M16P75I
 - IC52 : S-1170B20UC
 - IC53 : NJM2130F3
 - IC54 : S-1170B33UC
 - IC56 : HD74LV1GT00AVS
 - IC57-60 : HD74LV2G74AU-E
 - IC61,62 : HD74LV1G32AVSE
 - IC65 : NJU7042
-
- Q1,2 : 2SK3018
 - Q7,8 : 2SB9070
 - Q9,10,21 : 2S10536
 - Q11-14,22 : DTA114YUA
 - Q16 : 2SK210-F(Y)
 - Q17 : SSM313T-F
 - Q18 : 2SB9070
 - Q19,20 : DTC114EUA
-
- D1,2 : MAZS0510M
 - D3,4,8 : 1SS402-F
 - D5,6 : DAP202U
 - D10 : MAZS111
 - D73 : MAZS0510M

--- VIDEO LINE
 --- SIGNAL LINE
 --- GND LINE
 --- +B LINE

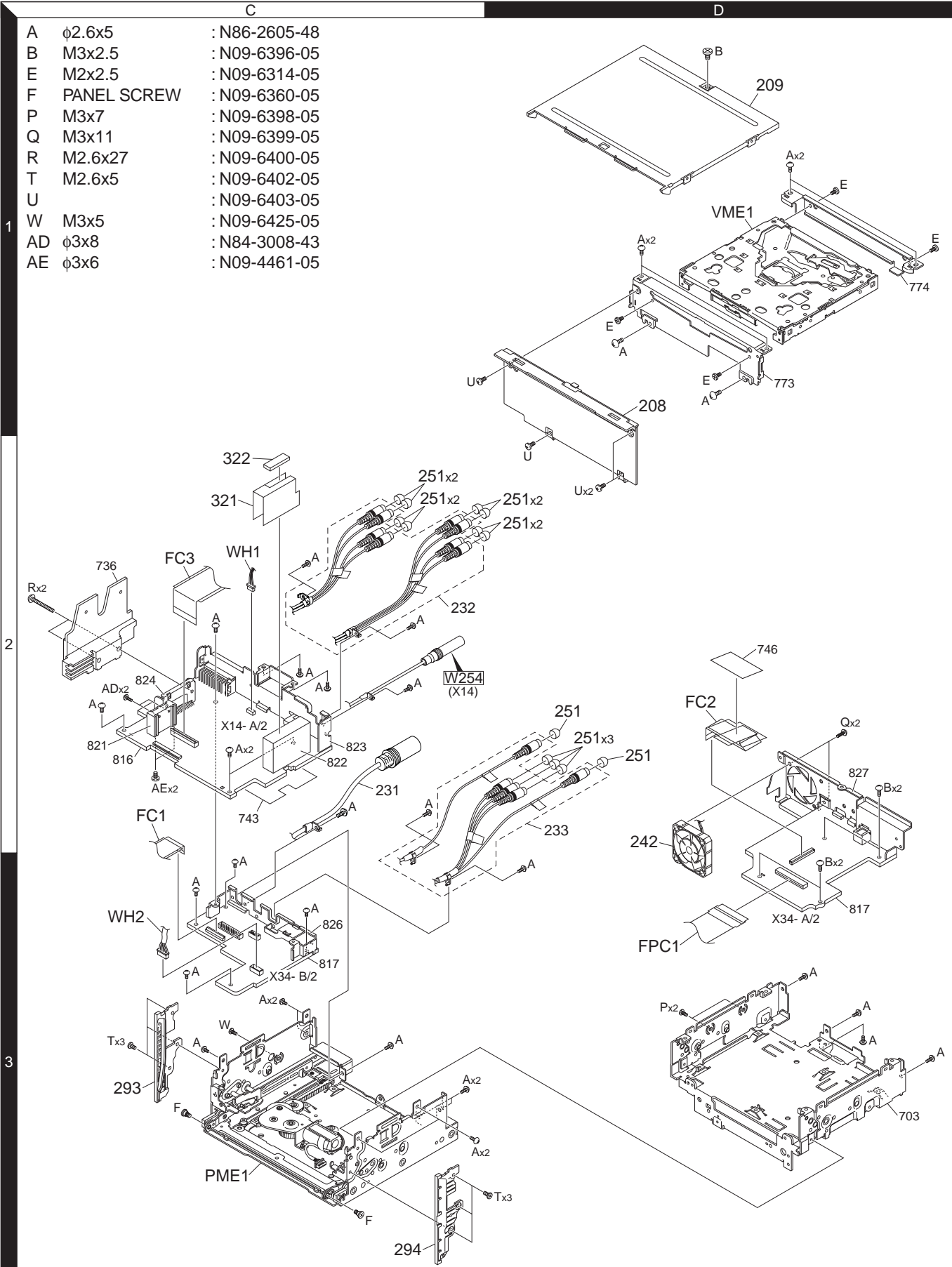
EXPLODED VIEW (DVD MECHANISM)



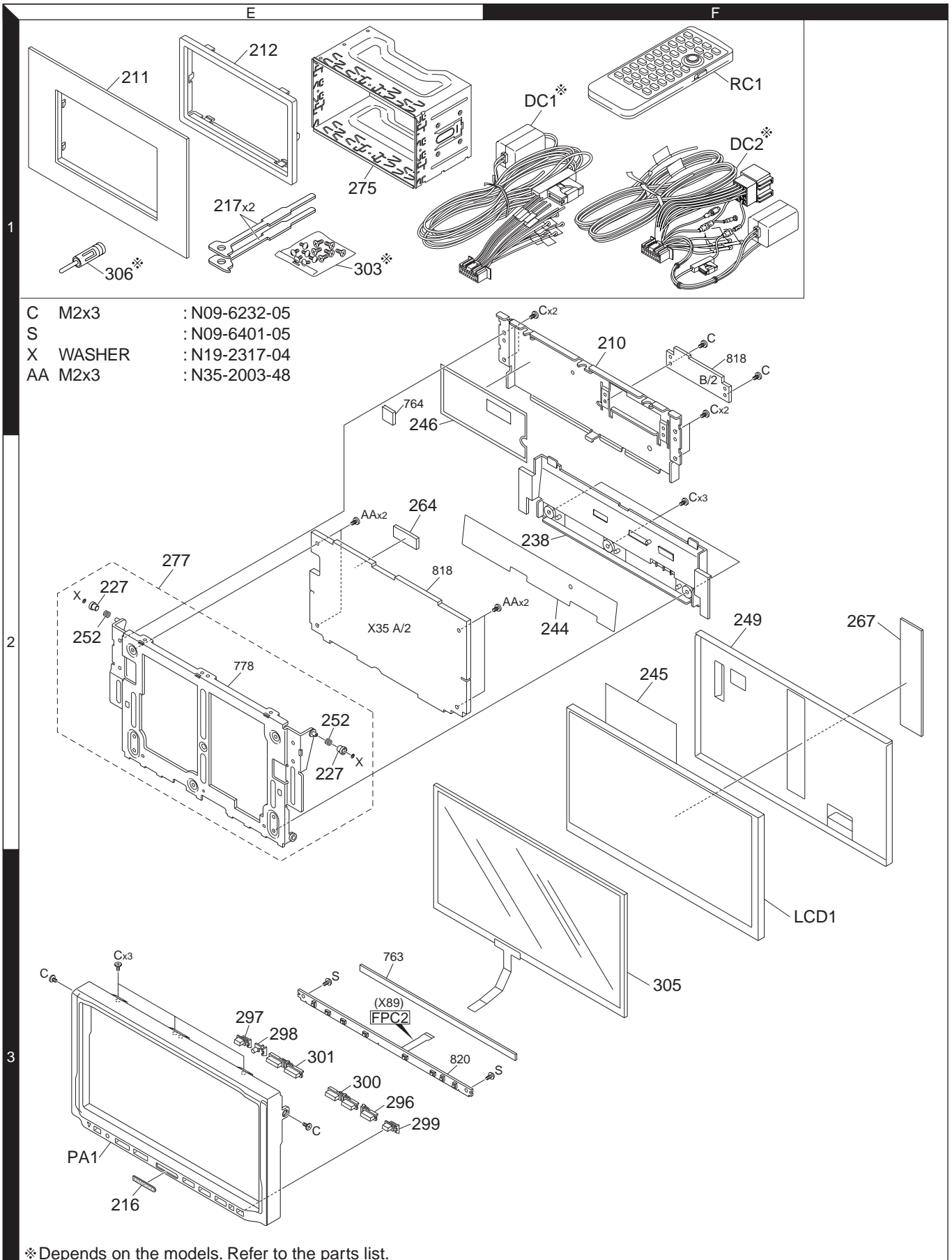
Parts with the exploded numbers larger than 700 are not supplied.

EXPLODED VIEW (UNIT)

A	φ2.6x5	: N86-2605-48
B	M3x2.5	: N09-6396-05
E	M2x2.5	: N09-6314-05
F	PANEL SCREW	: N09-6360-05
P	M3x7	: N09-6398-05
Q	M3x11	: N09-6399-05
R	M2.6x27	: N09-6400-05
T	M2.6x5	: N09-6402-05
U		: N09-6403-05
W	M3x5	: N09-6425-05
AD	φ3x8	: N84-3008-43
AE	φ3x6	: N09-4461-05



EXPLODED VIEW (PANEL / ACCESSORIES)



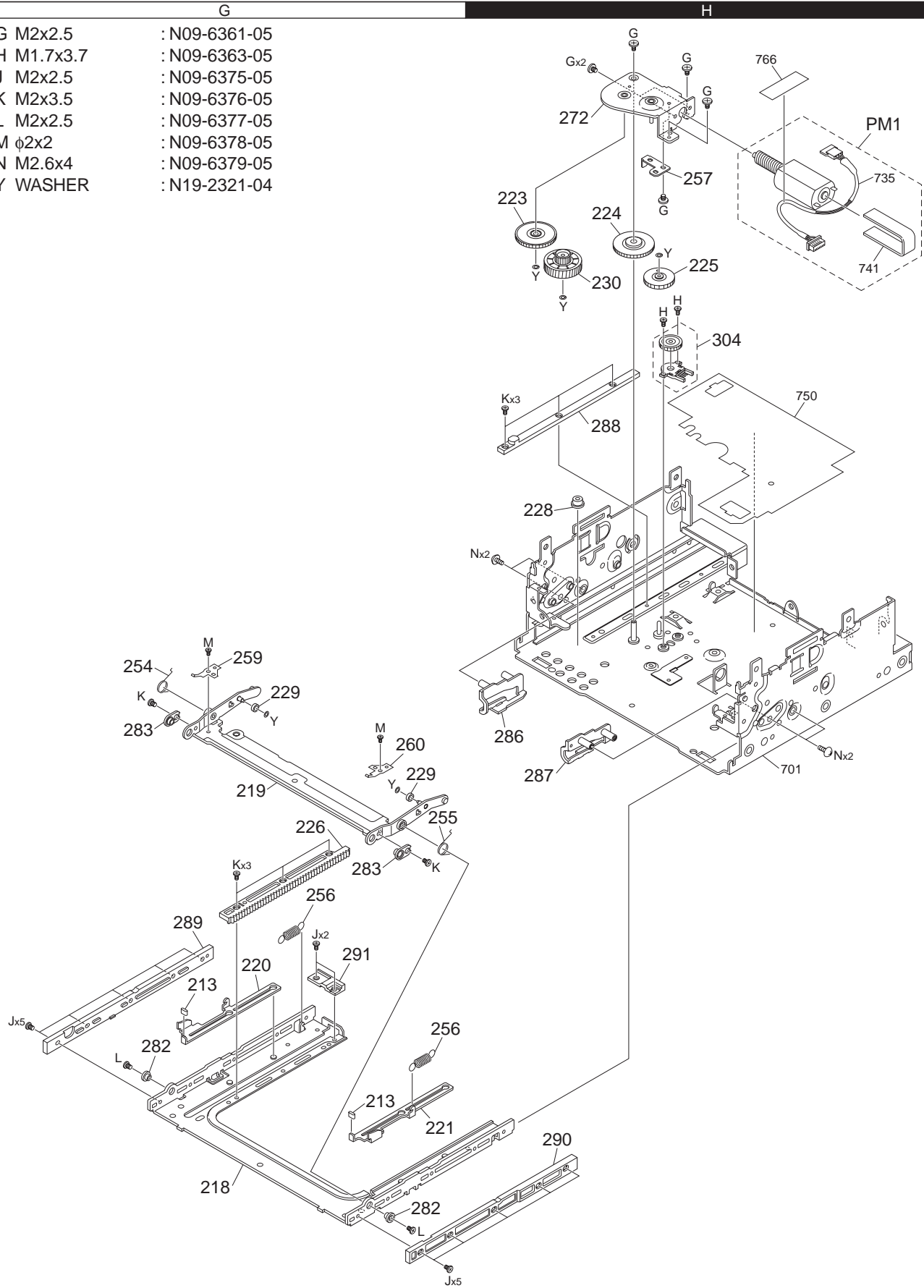
EXPLODED VIEW (PANEL MECHANISM)

G	M2x2.5	: N09-6361-05
H	M1.7x3.7	: N09-6363-05
J	M2x2.5	: N09-6375-05
K	M2x3.5	: N09-6376-05
L	M2x2.5	: N09-6377-05
M	φ2x2	: N09-6378-05
N	M2.6x4	: N09-6379-05
Y	WASHER	: N19-2321-04

1

2

3



PARTS LIST

* New parts

Parts without **Parts No.** are not supplied.Les articles non mentionnés dans le **Parts No.** ne sont pas fournis.Teile ohne **Parts No.** werden nicht geliefert.

Ref. No.	A d d	N e w	Parts No.	Description	Desti- nation	Ref. No.	A d d	N e w	Parts No.	Description	Desti- nation
DDX6019/6029/6029Y/6039						228	2H		D14-1010-04	ROLLER	
208	1D	*	A22-3109-23	SUB PANEL ASSY	KR1X1	229	2G		D14-1011-14	ROLLER	
208	1D	*	A22-3114-03	SUB PANEL ASSY	M1E1E2	230	1H		D19-0653-13	CLUTCH ASSY	
209	1D	*	A52-0878-02	TOP PLATE		231	2C	*	E30-6524-05	CORD WITH PLUG (NAVI)	
210	2F	*	A46-1842-02	REAR COVER		232	2C	*	E30-6528-05	CORD WITH PINPLUG	
PA1	3E	*	A64-3880-01	PANEL ASSY	K	233	3D	*	E30-6529-05	CORD WITH PINPLUG	
PA1	3E	*	A64-3881-01	PANEL ASSY	M1	DC1	1F	*	E30-6530-05	DC CORD	KM1R1
PA1	3E	*	A64-3882-01	PANEL ASSY	E1E2	DC1	1F	*	E30-6530-05	DC CORD	X1
PA1	3E	*	A64-3883-01	PANEL ASSY	R1X1	DC2	1F	*	E30-6531-05	DC CORD	E1E2
PME1	3C		A10-5300-11	PANEL MECHA ASSY		FC1	2C	*	E39-0832-15	FLAT CABLE	
RC1	1F	*	A70-2077-05	REMOTE CONTROLLER ASSY		FC2	2D	*	E39-0837-15	FLAT CABLE	
-			B46-0100-50	WARRANTY CARD	KM1R1	FC3	2C	*	E39-0838-05	FLAT CABLE	
-			B46-0100-50	WARRANTY CARD	X1	WH1	2C	*	E39-0835-05	WIRING HARNESS	
-			B46-0612-14	ID CARD	M1E1E2	WH2	3C	*	E39-0836-05	WIRING HARNESS	
-			B46-0612-14	ID CARD	X1	238	2F	*	F07-1179-02	COVER	
-			B46-0682-00	WARRANTY CARD	E1E2	242	2D		F09-2819-15	FAN	
-		*	B54-4488-00	INSTALLATION MANUAL (ENG.SPA.)	KR1	244	2F	*	F12-0921-04	SHIELDING SHEET	
-		*	B54-4489-00	INSTALLATION MANUAL (FRE.)	K	245	2F	*	F12-0924-03	SHIELDING SHEET	
-		*	B54-4490-00	INSTALLATION MANUAL (POR.)	R1	246	2E	*	F12-0927-04	SHIELDING SHEET	
-		*	B54-4491-00	INSTALLATION MANUAL (ENG.)	M1X1	249	3F		F20-2364-13	INSULATING SHEET	
-		*	B54-4492-00	INSTALLATION MANUAL (T-CHI.KOR)	M1	251	2C		F29-0049-05	INSULATING COVER	
-		*	B54-4493-00	INSTALLATION MANUAL (ENG.FRE.)	E1E2	252	2E		G01-3284-04	COMPRESSION SPRING	
-		*	B54-4493-00	INSTALLATION MANUAL (GER.DUT.)	E1E2	254	2G		G01-3288-04	TORSION COIL SPRING	
-		*	B54-4493-00	INSTALLATION MANU (ITA.SPA.POR)	E1E2	255	2G		G01-3289-04	TORSION COIL SPRING	
-		*	B58-1440-04	CAUTION CARD (TILT)		256	3G		G01-3290-04	EXTENSION SPRING	
-		*	B64-3367-00	INSTRUCTION MANUAL (ENGLISH)	KR1	257	1H		G02-1539-04	FLAT SPRING	
-		*	B64-3368-00	INSTRUCTION MANUAL (FRENCH)	K	259	2G		G02-1544-04	FLAT SPRING	
-		*	B64-3369-00	INSTRUCTION MANUAL (SPANISH)	KR1	260	2G		G02-1545-04	FLAT SPRING	
-		*	B64-3370-00	INSTRUCTION MANUAL (PORTUGUESE)	R1	264	2E		G16-1628-04	SHEET	
-		*	B64-3371-00	INSTRUCTION MANUAL (ENGLISH)	M1X1	267	2F		G16-1638-04	SHEET	
-		*	B64-3372-00	INSTRUCTION MANUAL (T-CHINESE)	M1	-		*	H10-4981-12	POLYSTYRENE FOAMED FIXTURE	
-		*	B64-3373-00	INSTRUCTION MANUAL (KOREAN)	M1	-		*	H10-4982-02	POLYSTYRENE FOAMED FIXTURE	
-		*	B64-3374-00	INSTRUCTION MANUAL (ENGLISH)	E1E2	-			H12-2745-04	PACKING FIXTURE	
-		*	B64-3375-00	INSTRUCTION MANUAL (FRENCH)	E1	-			H25-0338-04	PROTECTION BAG (250X350X0.03)	
-		*	B64-3376-00	INSTRUCTION MANUAL (GERMAN)	E1	-			H25-1127-04	PROTECTION BAG (0.5X350X450)	
-		*	B64-3377-00	INSTRUCTION MANUAL (DUTCH)	E1	-			H30-0595-04	ADHESIVE DOUBLE-COATED TAPE	
-		*	B64-3378-00	INSTRUCTION MANUAL (ITALIAN)	E1	-		*	H54-3768-03	ITEM CARTON CASE	K
-		*	B64-3379-00	INSTRUCTION MANUAL (SPANISH)	E1	-		*	H54-3769-03	ITEM CARTON CASE	M1R1X1
-		*	B64-3380-00	INSTRUCTION MANUAL (PORTUGUESE)	E1	-		*	H54-3770-03	ITEM CARTON CASE	E1
211	1E		B07-3172-12	ESCUTCHEON		-		*	H54-3772-03	ITEM CARTON CASE	E2
212	1E	*	B07-3173-01	ESCUTCHEON		272	1H		J22-0444-13	MOUNTING HARDWARE ASSY	
213	3G		B09-0541-04	CAP		275	1E	*	J22-0498-03	MOUNTING HARDWARE ASSY	
216	3E		B43-1518-04	BADGE		277	2E	*	J22-0503-02	MOUNTING HARDWARE ASSY	
LCD1	3F		B38-1175-05	LCD		282	3G		J31-1075-14	MOUNTING HARDWARE ASSY	
217	1E		D10-4674-04	LEVER		283	2G		J31-1077-04	COLLAR (ARM COLLAR)	
218	3G		D10-4895-12	SLIDER ASSY		286	2H		J90-1124-13	GUIDE ASSY	
219	2G		D10-4897-13	ARM ASSY		287	2H		J90-1126-13	GUIDE ASSY	
220	3G		D10-4899-03	LEVER		288	2H		J90-1128-03	RAIL	
221	3G		D10-4900-03	LEVER		289	3G		J90-1129-13	RAIL	
223	1H		D13-2394-04	GEAR		290	3G		J90-1130-13	RAIL	
224	1H		D13-2395-04	GEAR		291	3G		J90-1131-03	GUIDE	
225	1H		D13-2396-04	GEAR		293	3C		J90-1135-11	RAIL	
226	3G		D13-2397-03	RACK (GEAR)		294	3C		J90-1136-11	RAIL	
227	2E		D14-1009-04	ROLLER							

K : DDX6019 (North America) E1 : DDX6029 E2 : DDX6029Y (Europe)
X1 : DDX6039 (Australia) R1 : DDX6039 (Latin America) M1 : DDX6039 (Other Areas)

△ Indicates safety critical components.

PARTS LIST

DDX6019/6029/6029Y/6039

Ref. No.	Ad	New	Parts No.	Description	Desti- nation	Ref. No.	Ad	New	Parts No.	Description	Desti- nation
FPC1	3D	*	J86-0026-05	FPC (LEAD FREE)		C17			CK73GB1H473K	CHIP C 0.047UF K	
296	3E	*	K24-4555-03	PUSH KNOB (SRC)		C22			CC73GCH1H070D	CHIP C 7.0PF D	
297	3E	*	K24-4556-03	PUSH KNOB (ATT)		C23			CK73GB1A105K	CHIP C 1.0UF K	
298	3E	*	K24-4558-04	PUSH KNOB (RESET)		C25			CD04BJ1E470M	ELECTRO 47UF 25WV	
299	3E	*	K24-4560-03	PUSH KNOB (EJECT)		C26			CK73GB1H104K	CHIP C 0.10UF K	
300	3E	*	K25-1822-03	PUSH KNOB (FUNK/V.SEL)		C27			CK73GB1H102K	CHIP C 1000PF K	
301	3E	*	K25-1823-03	PUSH KNOB (VOL)		C28			CK73GB1H103K	CHIP C 0.010UF K	
303	1E		N99-1776-05	SCREW SET	KM1R1	C29			CK73GB1H102K	CHIP C 1000PF K	
303	1E		N99-1776-05	SCREW SET	X1	C30			CK73GB1H104K	CHIP C 0.10UF K	
A	3C		N86-2605-48	BINDING HEAD TAPTITE SCREW		C37			CD04BJ1A101M	ELECTRO 100UF 10WV	
AA	2E		N35-2003-48	BINDING HEAD MACHINE SCREW		C38			CK73GB1H104K	CHIP C 0.10UF K	
B	1D	*	N09-6396-05	MACHINE SCREW (M3.0X2.5)		C39			CD04AY1E470M	ELECTRO 47UF 25WV	
C	3E		N09-6232-05	MACHINE SCREW (M2X3)		C40			CK73GB1H104K	CHIP C 0.10UF K	
E	1D		N09-6314-05	MACHINE SCREW (M2.0X2.5)		C101			CD04BJ0J331M	ELECTRO 330UF 6.3WV	
F	3C		N09-6360-05	STEPPED SCREW (PANEL SCREW)		C102			CK73FB0J106K	CHIP C 10UF K	
G	1H		N09-6361-05	MACHINE SCREW (M2X2.5)		C103			CK73GB1H102K	CHIP C 1000PF K	
H	1H		N09-6363-05	MACHINE SCREW (M1.7X3.7)		C104-107			CK73GB1H104K	CHIP C 0.10UF K	
J	3G		N09-6375-05	MACHINE SCREW (M2X2.5)		C108			CK73GB1A105K	CHIP C 1.0UF K	
K	2G		N09-6376-05	MACHINE SCREW (M2X3.5)		C109-114			CK73GB1H104K	CHIP C 0.10UF K	
L	3G		N09-6377-05	MACHINE SCREW (M2X2.5)		C115			CK73GB1H102K	CHIP C 1000PF K	
M	2G		N09-6378-05	TAPTITE SCREW (STITE 2X2)		C116			CK73GB1H104K	CHIP C 0.10UF K	
N	2H		N09-6379-05	MACHINE SCREW (M2.6X4)		C201			CD04BJ1E470M	ELECTRO 47UF 25WV	
P	3D		N09-6398-05	MACHINE SCREW (M3X7)		C202			CD04AS1H3R3M	ELECTRO 3.3UF 50WV	
Q	3D		N09-6399-05	MACHINE SCREW (BIND M3.0X11)		C203,204			CK73FB1E474K	CHIP C 0.47UF K	
R	2C		N09-6400-05	MACHINE SCREW (BIND M2.6X27)		C205			CD04AS1H3R3M	ELECTRO 3.3UF 50WV	
S	3E		N09-6401-05	TAPTITE SCREW		C206			CK73FB1A225K	CHIP C 2.2UF K	
T	3C		N09-6402-05	MACHINE SCREW (M2.6X5)		C207			CK73FB1C105K	CHIP C 1.0UF K	
U	1D		N09-6403-05	MACHINE SCREW		C208-211			CC73GCH1H101J	CHIP C 100PF J	
W	3C		N09-6425-05	MACHINE SCREW (M3.0X5)		C212,213			CK73FB1E474K	CHIP C 0.47UF K	
X	2E		N19-2317-04	FLAT WASHER		C214,215			CD04BJ1H2R2M	ELECTRO 2.2UF 50WV	
Y	1H		N19-2321-04	FLAT WASHER		C216,217			CK73FB1E474K	CHIP C 0.47UF K	
304	1H		R31-0248-05	VARIABLE RESISTOR		C219-221			CD04BJ1H010M	ELECTRO 1.0UF 50WV	
305	3F		S79-0854-05	SWITCH ASSY		C222,223			CC73GCH1H101J	CHIP C 100PF J	
306	1E		T90-0552-05	ANTENNA ADAPTOR	E1E2	C224			CC73GCH1H070D	CHIP C 7.0PF D	
PM1	1H		T42-1322-14	MOTOR ASSY		C225			CD04BJ1H100M	ELECTRO 10UF 50WV	
VME1	1D	*	X92-5430-00	DVD MECHANISM ASSY (DVS-7600V)		C226			CK73GB1H103K	CHIP C 0.010UF K	
RECEIVER UNIT (X14-974x-xx)						C227,228			CK73FB1C105K	CHIP C 1.0UF K	
C1			CC73GCH1H070D	CHIP C 7.0PF D		C229-232			CC73GCH1H101J	CHIP C 100PF J	
C2			C90-6794-05	ELECTRO 6800UF 16WV		C233,234			CK73GB1H152K	CHIP C 1500PF K	
C3-5			CK73FB1C105K	CHIP C 1.0UF K		C235			CC73GCH1H070D	CHIP C 7.0PF D	
C6			CK73FB1E474K	CHIP C 0.47UF K		C236,237			CK73GB1H103K	CHIP C 0.010UF K	
C7			CK73GB1H103K	CHIP C 0.010UF K		C238			CD04AS1V100M	ELECTRO 10UF 35WV	
C8			CD04AS1H3R3M	ELECTRO 3.3UF 50WV		C239			CD04BJ1E470M	ELECTRO 47UF 25WV	
C9			CK73FB1C105K	CHIP C 1.0UF K		C242			CD04BJ1E470M	ELECTRO 47UF 25WV	
C10			CK73GB1H104K	CHIP C 0.10UF K		C243			CK73GB1H104K	CHIP C 0.10UF K	
C11			CK73GB1H103K	CHIP C 0.010UF K		C252			CK73GB1H103K	CHIP C 0.010UF K	KM1E1
C12			CK73GB1H104K	CHIP C 0.10UF K		C252			CK73GB1H103K	CHIP C 0.010UF K	E2R1
C13			CD04AY1E221M	ELECTRO 220UF 25WV		C262			CK73GB1H103K	CHIP C 0.010UF K	
C14			CK73GB1H103K	CHIP C 0.010UF K		C264			CC73GCH1H100D	CHIP C 10PF D	KM1E1
C15			CD04AY1H100M	ELECTRO 10UF 50WV		C264			CC73GCH1H100D	CHIP C 10PF D	E2R1
C16			CD04AY0J331M	ELECTRO 330UF 6.3WV		C265-267			CK73GB1H103K	CHIP C 0.010UF K	KM1E1
						C269			CC73GCH1H331J	CHIP C 330PF J	E2R1
						C269			CC73GCH1H331J	CHIP C 330PF J	E2R1
						C270			CC73GCH1H100D	CHIP C 10PF D	KM1E1
						C270			CC73GCH1H100D	CHIP C 10PF D	E2R1

K : DDX6019 (North America) E1 : DDX6029 E2 : DDX6029Y (Europe)
X1 : DDX6039 (Australia) R1 : DDX6039 (Latin America) M1 : DDX6039 (Other Areas)

△ Indicates safety critical components.

PARTS LIST

RECEIVER UNIT (X14-974x-xx)

Ref. No.	Add	New	Parts No.	Description	Destination	Ref. No.	Add	New	Parts No.	Description	Destination
C271			CK73GB1H103K	CHIP C 0.010UF K	KM1E1	L201			L41-4795-33	SMALL FIXED INDUCTOR (4.7U)	
C271			CK73GB1H103K	CHIP C 0.010UF K	E2R1	L251,252			L41-4795-33	SMALL FIXED INDUCTOR (4.7U)	KM1E1
C272,273			CD04AS1V100M	ELECTRO 10UF 35WV	KM1E1	L251,252			L41-4795-33	SMALL FIXED INDUCTOR (4.7U)	E2R1
C272,273			CD04AS1V100M	ELECTRO 10UF 35WV	E2R1	L252			L41-4795-33	SMALL FIXED INDUCTOR (4.7U)	X1
C301			CC73GCH1H150J	CHIP C 15PF J		L254			L41-4795-33	SMALL FIXED INDUCTOR (4.7U)	
C302			CC73GCH1H221J	CHIP C 220PF J		L256			L33-1977-05	CHOKE COIL (52UH)	
C303			CC73GCH1H150J	CHIP C 15PF J		L401			L41-4795-33	SMALL FIXED INDUCTOR (4.7U)	
C304			CC73GCH1H221J	CHIP C 220PF J		L78-0821-05			L78-0821-05	RESONATOR	
C305,306			C90-6779-05	ELECTRO 0.47UF 16WV		X251			L77-2002-05	CRYSTAL RESONATOR	KM1E1
C307			CC73GCH1H150J	CHIP C 15PF J		X251			L77-2002-05	CRYSTAL RESONATOR	E2R1
C308			CC73GCH1H221J	CHIP C 220PF J		AD	2C	*	N84-3008-43	PAN HEAD TAPTITE SCREW	
C309			CC73GCH1H150J	CHIP C 15PF J		AE	2C		N09-4461-05	TAPTITE SCREW	
C310			CC73GCH1H221J	CHIP C 220PF J		R1			RK73EB2E103J	CHIP R 10K J 1/4W	
C311,312		*	C90-6780-05	ELECTRO 1UF 16WV		R2			RK73EB2E000J	CHIP R 0.0 J 1/4W	
C313,314			CC73GCH1H150J	CHIP C 15PF J		R3			RK73EB2E223J	CHIP R 22K J 1/4W	
C315,316			CK73GB1A105K	CHIP C 1.0UF K		R4			RK73EB2E000J	CHIP R 0.0 J 1/4W	
C317,318			C90-6779-05	ELECTRO 0.47UF 16WV		R5			RK73EB2E102J	CHIP R 1.0K J 1/4W	
C319			CD04BM1E330M	CHIP EL 33UF 25WV		R6			RK73EB2E472J	CHIP R 4.7K J 1/4W	
C320,321			CC73GCH1H150J	CHIP C 15PF J		R7,8			RK73EB2E682J	CHIP R 6.8K J 1/4W	
C322-325			CC73GCH1H221J	CHIP C 220PF J		R9			RK73GB2A912J	CHIP R 9.1K J 1/10W	
C329			CD04BJ1H100M	ELECTRO 10UF 50WV		R10			RK73GB2A153J	CHIP R 15K J 1/10W	
C330,331			CK73GB1H102K	CHIP C 1000PF K		R11			RK73GB2A473J	CHIP R 47K J 1/10W	
C333			CD04BJ1H100M	ELECTRO 10UF 50WV		R26			RK73GB2A104J	CHIP R 100K J 1/10W	
C334-337			CK73GB1H104K	CHIP C 0.10UF K		R27,28			RK73GB2A103J	CHIP R 10K J 1/10W	
C340			CD04BJ1H100M	ELECTRO 10UF 50WV		R29			RK73GB2A683J	CHIP R 68K J 1/10W	
C342			CK73GB1H102K	CHIP C 1000PF K		R30			RK73GB2A822J	CHIP R 8.2K J 1/10W	
C345			CK73GB1H102K	CHIP C 1000PF K		R33			RK73GB2A393J	CHIP R 39K J 1/10W	
C347			CD04BJ1H100M	ELECTRO 10UF 50WV		R35			RK73GB2A104J	CHIP R 100K J 1/10W	
C351			CD04BJ1H100M	ELECTRO 10UF 50WV		R36			RK73FB2B472J	CHIP R 4.7K J 1/8W	
C352,353			CK73GB1H102K	CHIP C 1000PF K		R37			RK73GB2A223J	CHIP R 22K J 1/10W	
C355			CD04BJ1H100M	ELECTRO 10UF 50WV		R38,39			RK73PB2H102J	CHIP R 1.0K J 1/2W	
C358			CD04BJ1H100M	ELECTRO 10UF 50WV		R40			RK73GB2A222J	CHIP R 2.2K J 1/10W	KM1R1
C359,360			CK73GB1H102K	CHIP C 1000PF K		R40			RK73GB2A222J	CHIP R 2.2K J 1/10W	X1
C361			CD04BJ1H100M	ELECTRO 10UF 50WV		R41			RK73GB2A103J	CHIP R 10K J 1/10W	KM1R1
C401			CD04AS1H4R7M	ELECTRO 4.7UF 50WV		R41			RK73GB2A103J	CHIP R 10K J 1/10W	X1
C402			CD04BJ1A101M	ELECTRO 100UF 10WV		R42			RK73FB2B472J	CHIP R 4.7K J 1/8W	
C403			CD04AS1H4R7M	ELECTRO 4.7UF 50WV		R43			RK73GB2A103J	CHIP R 10K J 1/10W	KM1R1
C404			CD04BJ1E470M	ELECTRO 47UF 25WV		R43			RK73GB2A103J	CHIP R 10K J 1/10W	X1
C405			CK73GB1H103K	CHIP C 0.010UF K		R44			RK73GB2A103J	CHIP R 10K J 1/10W	
C406			CD04AS1V100M	ELECTRO 10UF 35WV		R45			RK73EB2E102J	CHIP R 1.0K J 1/4W	
CN1		*	E41-2649-05	PIN ASSY		R46			RK73FB2B561J	CHIP R 560 J 1/8W	
CN2			E41-2650-05	PIN ASSY		R47			RK73EB2E103J	CHIP R 10K J 1/4W	
CN301		*	E41-2649-05	PIN ASSY		R48			RK73GB2A473J	CHIP R 47K J 1/10W	
CN501			E41-2153-05	FLAT CABLE CONNECTOR		R49			RK73GB2A104J	CHIP R 100K J 1/10W	
CN502			E41-2197-05	FLAT CABLE CONNECTOR		R50			RK73FB2B223J	CHIP R 22K J 1/8W	
J1			E58-1043-05	RECTANGULAR RECEPTACLE		R51			RK73GB2A223J	CHIP R 22K J 1/10W	
J401			E56-0865-05	CYLINDRICAL RECEPTACLE		R52			RK73FB2B222J	CHIP R 2.2K J 1/8W	
W254	2C		E30-6508-05	CORD WITH PLUG (FM-ANT)		R53			RK73GB2A473J	CHIP R 47K J 1/10W	
321	2C	*	F09-2834-04	SHEET		R54			RK73GB2A103J	CHIP R 10K J 1/10W	
322	1C	*	F12-0920-04	SHIELDING TUBE		R55			RK73GB2A224J	CHIP R 220K J 1/10W	
F1			F53-0297-05	FUSE (UL,CSA) 1.6A		R56			RK73GB2A103J	CHIP R 10K J 1/10W	
L2-4			L92-0373-05	CHIP FERRITE		R57,58			RK73GB2A473J	CHIP R 47K J 1/10W	
L7			L41-4795-33	SMALL FIXED INDUCTOR (4.7U)		R59			RK73GB2A223J	CHIP R 22K J 1/10W	
L101			L92-0319-05	CHIP FERRITE		R60,61			RK73PB2H102J	CHIP R 1.0K J 1/2W	KM1R1
						R60,61			RK73PB2H102J	CHIP R 1.0K J 1/2W	X1

K : DDX6019 (North America) E1 : DDX6029 E2 : DDX6029Y (Europe)
X1 : DDX6039 (Australia) R1 : DDX6039 (Latin America) M1 : DDX6039 (Other Areas)

△ Indicates safety critical components.

PARTS LIST

RECEIVER UNIT (X14-974x-xx)

Ref. No.	A d d	N e w	Parts No.	Description	Desti- nation	Ref. No.	A d d	N e w	Parts No.	Description	Desti- nation
R62			RK73GB2A101J	CHIP R 100 J 1/10W		R185			RK73GB2A103J	CHIP R 10K J 1/10W	
R69			RK73EB2E000J	CHIP R 0.0 J 1/4W		R186			RK73GB2A473J	CHIP R 47K J 1/10W	
R80			RK73GB2A511J	CHIP R 510 J 1/10W		R187			RK73GB2A000J	CHIP R 0.0 J 1/10W	
R81			RK73GB2A104J	CHIP R 100K J 1/10W		R188-190			RK73GB2A101J	CHIP R 100 J 1/10W	
R82			RK73GB2A562J	CHIP R 5.6K J 1/10W		R191			RK73GB2A104J	CHIP R 100K J 1/10W	
R83			RK73GB2A101J	CHIP R 100 J 1/10W		R192			RK73GB2A101J	CHIP R 100 J 1/10W	
R84			RK73FB2B221J	CHIP R 220 J 1/8W		R201			RK73EB2E2R2J	CHIP R 2.2 J 1/4W	
R86			RK73GH2A243D	CHIP R 24K D 1/10W		R202			RK73GB2A104J	CHIP R 100K J 1/10W	
R87			RK73GH2A432D	CHIP R 4.3K D 1/10W		R203			RK73GB2A102J	CHIP R 1.0K J 1/10W	
R88			RK73EB2E000J	CHIP R 0.0 J 1/4W		R204			RK73GB2A103J	CHIP R 10K J 1/10W	
R89			RK73GB2A101J	CHIP R 100 J 1/10W		R205			RK73GB2A101J	CHIP R 100 J 1/10W	
R90			RK73GB2A473J	CHIP R 47K J 1/10W		R206			RK73GB2A103J	CHIP R 10K J 1/10W	
R91			RK73GB2A222J	CHIP R 2.2K J 1/10W		R207-215			RK73GB2A101J	CHIP R 100 J 1/10W	
R101-103			RK73GB2A473J	CHIP R 47K J 1/10W		R216,217			RK73GB2A100J	CHIP R 10 J 1/10W	
R105			RK73GB2A103J	CHIP R 10K J 1/10W	M1E1E2	R218,219			RK73GB2A102J	CHIP R 1.0K J 1/10W	
R105,106			RK73GB2A103J	CHIP R 10K J 1/10W	K	R220-223			RK73GB2A103J	CHIP R 10K J 1/10W	
R106,107			RK73GB2A103J	CHIP R 10K J 1/10W	X1	R224			RK73GB2A471J	CHIP R 470 J 1/10W	
R107			RK73GB2A103J	CHIP R 10K J 1/10W	E1E2	R225			RK73GB2A223J	CHIP R 22K J 1/10W	
R108			RK73GB2A104J	CHIP R 100K J 1/10W		R226,227			RK73GB2A103J	CHIP R 10K J 1/10W	
R109			RK73GB2A103J	CHIP R 10K J 1/10W		R228			RK73GB2A223J	CHIP R 22K J 1/10W	
R110			RK73GB2A473J	CHIP R 47K J 1/10W		R229			RK73GB2A471J	CHIP R 470 J 1/10W	
R111			RK73GB2A103J	CHIP R 10K J 1/10W	R1X1	R230			RK73GB2A104J	CHIP R 100K J 1/10W	
R112			RK73GB2A104J	CHIP R 100K J 1/10W		R234			RK73GB2A223J	CHIP R 22K J 1/10W	
R113			RK73GB2A103J	CHIP R 10K J 1/10W	M1E1E2	R255			RK73GB2A102J	CHIP R 1.0K J 1/10W	
R113			RK73GB2A103J	CHIP R 10K J 1/10W	R1	R257			RK73FB2B1R0J	CHIP R 1.0 J 1/8W	
R114			RK73GB2A473J	CHIP R 47K J 1/10W		R258-260			RK73GB2A222J	CHIP R 2.2K J 1/10W	KM1E1
R115			RK73GB2A103J	CHIP R 10K J 1/10W	KM1R1	R258-260			RK73GB2A222J	CHIP R 2.2K J 1/10W	E2R1
R116,117			RK73GB2A222J	CHIP R 2.2K J 1/10W		R301			RK73GB2A333J	CHIP R 33K J 1/10W	
R118			RK73GB2A101J	CHIP R 100 J 1/10W		R302			RK73GB2A182J	CHIP R 1.8K J 1/10W	
R119			RK73GB2A222J	CHIP R 2.2K J 1/10W	KM1E1	R303			RK73GB2A221J	CHIP R 220 J 1/10W	
R119			RK73GB2A222J	CHIP R 2.2K J 1/10W	E2R1	R304			RK73GB2A223J	CHIP R 22K J 1/10W	
R120			RK73GB2A223J	CHIP R 22K J 1/10W		R305			RK73GB2A432J	CHIP R 4.3K J 1/10W	
R121-131			RK73GB2A101J	CHIP R 100 J 1/10W		R306			RK73GB2A100J	CHIP R 10 J 1/10W	
R132			RK73GB2A472J	CHIP R 4.7K J 1/10W		R309			RK73FB2B101J	CHIP R 100 J 1/8W	
R133			RK73GB2A103J	CHIP R 10K J 1/10W	X1	R310			RK73GB2A471J	CHIP R 470 J 1/10W	
R134			RK73GB2A104J	CHIP R 100K J 1/10W		R312,313			RK73GB2A223J	CHIP R 22K J 1/10W	
R136			RK73GB2A472J	CHIP R 4.7K J 1/10W		R315			RK73FB2B101J	CHIP R 100 J 1/8W	
R138,139			RK73GB2A473J	CHIP R 47K J 1/10W		R316			RK73GB2A471J	CHIP R 470 J 1/10W	
R140			RK73GB2A103J	CHIP R 10K J 1/10W		R324			RK73FB2B101J	CHIP R 100 J 1/8W	
R141-143			RK73GB2A101J	CHIP R 100 J 1/10W		R325			RK73GB2A471J	CHIP R 470 J 1/10W	
R144-146			RK73GB2A103J	CHIP R 10K J 1/10W		R328			RK73GB2A223J	CHIP R 22K J 1/10W	
R147,148			RK73GB2A101J	CHIP R 100 J 1/10W		R331			RK73GB2A223J	CHIP R 22K J 1/10W	
R149			RK73GB2A104J	CHIP R 100K J 1/10W		R333			RK73FB2B101J	CHIP R 100 J 1/8W	
R150-154			RK73GB2A101J	CHIP R 100 J 1/10W		R334			RK73GB2A471J	CHIP R 470 J 1/10W	
R155			RK73GB2A473J	CHIP R 47K J 1/10W		R339			RK73FB2B101J	CHIP R 100 J 1/8W	
R156			RK73GB2A101J	CHIP R 100 J 1/10W		R340			RK73GB2A471J	CHIP R 470 J 1/10W	
R157,158			RK73GB2A473J	CHIP R 47K J 1/10W		R342,343			RK73GB2A223J	CHIP R 22K J 1/10W	
R168-173			RK73GB2A101J	CHIP R 100 J 1/10W		R345			RK73FB2B101J	CHIP R 100 J 1/8W	
R174			RK73GB2A473J	CHIP R 47K J 1/10W		R346			RK73GB2A471J	CHIP R 470 J 1/10W	
R175			RK73GB2A102J	CHIP R 1.0K J 1/10W		R349			RK73FB2B101J	CHIP R 100 J 1/8W	
R176			RK73GB2A471J	CHIP R 470 J 1/10W		R350			RK73GB2A471J	CHIP R 470 J 1/10W	
R177			RK73GB2A153J	CHIP R 15K J 1/10W		R351,352			RK73GB2A223J	CHIP R 22K J 1/10W	
R178			RK73GB2A473J	CHIP R 47K J 1/10W		R353			RK73FB2B101J	CHIP R 100 J 1/8W	
R179			RK73GB2A102J	CHIP R 1.0K J 1/10W		R354			RK73GB2A471J	CHIP R 470 J 1/10W	
R180-183			RK73GB2A473J	CHIP R 47K J 1/10W		R355-362			RK73GB2A103J	CHIP R 10K J 1/10W	

K : DDX6019 (North America) E1 : DDX6029 E2 : DDX6029Y (Europe)
X1 : DDX6039 (Australia) R1 : DDX6039 (Latin America) M1 : DDX6039 (Other Areas)

△ Indicates safety critical components.

PARTS LIST

RECEIVER UNIT (X14-974x-xx)

Ref. No.	Add	New	Parts No.	Description	Destination	Ref. No.	Add	New	Parts No.	Description	Destination
R401-403			RK73EB2E472J	CHIP R 4.7K J 1/4W		Q1			2SA1576A	TRANSISTOR	
R404,405			RK73EB2E101J	CHIP R 100 J 1/4W		Q2			DTC143EUA	DIGITAL TRANSISTOR	
R406,407			RK73EB2E472J	CHIP R 4.7K J 1/4W		Q3			DTC124EUA	DIGITAL TRANSISTOR	
R408			RK73EB2E101J	CHIP R 100 J 1/4W		Q4			2SC4081	TRANSISTOR	
R409			RK73EB2E100J	CHIP R 10 J 1/4W		Q14			2SC4081	TRANSISTOR	
R410			RK73EB2E4R7J	CHIP R 4.7 J 1/4W		Q16			2SC4081	TRANSISTOR	
R411			RK73EB2E100J	CHIP R 10 J 1/4W		Q18			2SB1188(Q,R)	TRANSISTOR	
R412			RK73GB2A222J	CHIP R 2.2K J 1/10W		Q19			2SA1576A	TRANSISTOR	
R413			RK73GB2A102J	CHIP R 1.0K J 1/10W		Q20			DTA114EUA	DIGITAL TRANSISTOR	
R705			RK73GB2A000J	CHIP R 0.0 J 1/10W		Q21			DTC114YUA	DIGITAL TRANSISTOR	
R707			RK73GB2A000J	CHIP R 0.0 J 1/10W	E1E2	Q22			2SC4081	TRANSISTOR	KM1R1
R711			RK73GB2A000J	CHIP R 0.0 J 1/10W		Q22			2SC4081	TRANSISTOR	X1
R714,715			RK73GB2A000J	CHIP R 0.0 J 1/10W		Q23			2SB1188(R)	TRANSISTOR	KM1R1
R717			RK73GB2A000J	CHIP R 0.0 J 1/10W		Q23			2SB1188(R)	TRANSISTOR	X1
R725-727			RK73GB2A000J	CHIP R 0.0 J 1/10W		Q24			2SA1576A	TRANSISTOR	
D2-9			1SR154-400	DIODE		Q25			2SB1565	TRANSISTOR	
D10,11			DAN202U	DIODE		Q26			2SC4081	TRANSISTOR	
D12			UDZS6.2B	ZENER DIODE		Q27			2SB1689	TRANSISTOR	
D13,14			DAN202U	DIODE		Q28			DTC124EUA	DIGITAL TRANSISTOR	
D15,16			UDZS6.8B	ZENER DIODE		Q29			2SC4081	TRANSISTOR	
D17			DAP202U	DIODE		Q30			TPC8110-F	FET	
D18			UDZS6.8B	ZENER DIODE		Q31			DTA124EUA	DIGITAL TRANSISTOR	
D19			DAP202U	DIODE		Q32			DTC124EUA	DIGITAL TRANSISTOR	
D20-23			1SR154-400	DIODE		Q34			DTC124EUA	DIGITAL TRANSISTOR	
D24			UDZS5.6B	ZENER DIODE		Q42			2SB1203-FA-E	TRANSISTOR	
D25			UDZS4.7B	ZENER DIODE		Q43			2SC4081	TRANSISTOR	
D27			UDZS5.6B	ZENER DIODE		Q44			DTC124EUA	DIGITAL TRANSISTOR	
D28			UDZS16B	ZENER DIODE		Q45			2SB1565	TRANSISTOR	
D29			1SS352-F	DIODE		Q101			DTA144EUA	DIGITAL TRANSISTOR	
D31			DAN202U	DIODE		Q102			DTC144EUA	DIGITAL TRANSISTOR	
D33			UDZS5.6B	ZENER DIODE		Q103			DTA124EUA	DIGITAL TRANSISTOR	
D101			DAN202U	DIODE		Q201-204			DTC124EUA	DIGITAL TRANSISTOR	
D201-206			DAP202U	DIODE		Q205,206			DTC323TU	DIGITAL TRANSISTOR	
D252			IMSA-6801-E	SURGE ABSORBER		Q207			DTA144EUA	DIGITAL TRANSISTOR	
D301-304			DAP202U	DIODE		Q253			DTC124EUA	DIGITAL TRANSISTOR	
D305-310			AVRM1608180M6A	VARISTOR		Q255			2SB1689	TRANSISTOR	
D311			DAP202U	DIODE		Q301			DTC323TU	DIGITAL TRANSISTOR	
D312,313			AVRM1608180M6A	VARISTOR		Q302			DTA144EUA	DIGITAL TRANSISTOR	
D314-317			DAP202U	DIODE		Q303-306			DTC323TU	DIGITAL TRANSISTOR	
D401-405			STZ6.8N	ZENER DIODE		Q307			DTA144EUA	DIGITAL TRANSISTOR	
D406			DAP202U	DIODE		Q308,309			DTC323TU	DIGITAL TRANSISTOR	
D407			STZ6.8N	ZENER DIODE		Q310			DTA144EUA	DIGITAL TRANSISTOR	
D408			UDZS4.7B	ZENER DIODE		Q311			DTC323TU	DIGITAL TRANSISTOR	
IC1			SN74HC02APWR	MOS-IC		TH301			PRF18BE471QB2	POSITIVE RESISTOR	
IC5			M5237ML-CF0J	ANALOGUE IC		A251	*		X86-4010-11	FRONT-END UNIT	KR1X1
IC101	*		703030BYGCJ26	MICROCONTROLLER IC		A251	*		X86-4012-70	FRONT-END UNIT	M/E1E2
IC104			S-80842CNNB-G	MOS-IC		SWITCH UNIT (X16-2380-01) IN DVD MECHA					
IC105			TC7SET04FU-F	MOS-IC		CN1			E41-2623-05	FLAT CABLE CONNECTOR	
IC201			E-TDA7415C	ANALOGUE IC		S1,2			S68-0827-05	PUSH SWITCH	
IC202,203			TC4052BFT	MOS-IC		ELECTRIC UNIT (X34-439x-xx)					
IC204			TC7SET08FU-F	MOS-IC		C1,2			CE32BF1E101M	CHIP EL 100UF 25WV	
IC251			E-TDA7479AD	ANALOGUE IC	KM1E1	C3,4			CK73EB1E105K	CHIP C 1.0UF K	
IC251			E-TDA7479AD	ANALOGUE IC	E2R1	C5,6			CK73GB1H104K	CHIP C 0.10UF K	
IC301			E-TDA7560A	ANALOGUE IC							
IC401			BA3121F	ANALOGUE IC							

K : DDX6019 (North America) E1 : DDX6029 E2 : DDX6029Y (Europe)
X1 : DDX6039 (Australia) R1 : DDX6039 (Latin America) M1 : DDX6039 (Other Areas)

△ Indicates safety critical components.

PARTS LIST

ELECTRIC UNIT (X34-439x-xx)

Ref. No.	A	N	Parts No.	Description	Desti-	Ref. No.	A	N	Parts No.	Description	Desti-
	d	e			nation		d	e			nation
C7			CC73GCH1H101J	CHIP C 100PF J		C451			CK73FB0J106K	CHIP C 10UF K	
C8			CC73GCH1H151J	CHIP C 150PF J		C600			CE32BF1E101M	CHIP EL 100UF 25WV	
C9			CK73GB1H682K	CHIP C 6800PF K		C601			CK73EB1E105K	CHIP C 1.0UF K	
C10			CK73GB1H103K	CHIP C 0.010UF K		C602			CC73GCH1H101J	CHIP C 100PF J	
C13			CC73GCH1H221J	CHIP C 220PF J		C603			CK73GB1H104K	CHIP C 0.10UF K	
C14			CK73GB1H221K	CHIP C 220PF K		C604			CC73GCH1H151J	CHIP C 150PF J	
C15,16			CE32AU1A560M	CHIP EL 56UF 10WV		C605			CK73GB1H103K	CHIP C 0.010UF K	
C17			CK73EB1A106K	CHIP C 10UF K		C607			CC73GCH1H221J	CHIP C 220PF J	
C18,19			CE32CL1C220M	CHIP EL 22UF 16WV		C608,609			CK73GB1H102K	CHIP C 1000PF K	
C20			CE32CLOJ101M	CHIP EL 100UF 6.3WV		C610			CE32AU1A560M	CHIP EL 56UF 10WV	
C21			CE32BF0J101M	CHIP EL 100UF 6.3WV		C611			CK73GB1H103K	CHIP C 0.010UF K	
C22			CK73EB1A106K	CHIP C 10UF K		C612-615			CK73GB1H102K	CHIP C 1000PF K	
C25,26			CK73GB1H103K	CHIP C 0.010UF K		C616-621			CK73GB1H104K	CHIP C 0.10UF K	
C30			CK73GB1H104K	CHIP C 0.10UF K		C622			CK73GB1A105K	CHIP C 1.0UF K	
C60			CE32CL1C470M	CHIP EL 47UF 16WV		C623			CC73GCH1H151J	CHIP C 150PF J	
C61			CE32BF0J101M	CHIP EL 100UF 6.3WV		C624			CK73GB1H104K	CHIP C 0.10UF K	
C70-73			CK73GB1H102K	CHIP C 1000PF K		C625			CK73GB1H102K	CHIP C 1000PF K	
C74,75			CC73GCH1H101J	CHIP C 100PF J		C644			CK73GB1H104K	CHIP C 0.10UF K	
C80			CK73GB1H103K	CHIP C 0.010UF K		C655-657			CK73GB1H104K	CHIP C 0.10UF K	
C82,83			CK73GB1H103K	CHIP C 0.010UF K		C658			CK73FB0J106K	CHIP C 10UF K	
C101			CK73GB1H104K	CHIP C 0.10UF K		C659,660			CK73GB1H103K	CHIP C 0.010UF K	
C103-105			CK73GB1H104K	CHIP C 0.10UF K		C665			CK73GB1H103K	CHIP C 0.010UF K	
C106			CK73GB1A105K	CHIP C 1.0UF K		C700			CK73EB1A475K	CHIP C 4.7UF K	
C107			CK73GB1H104K	CHIP C 0.10UF K		C701			CE32CLOJ470M	CHIP EL 47UF 6.3WV	
C108			CK73FB0J106K	CHIP C 10UF K		C702-704			CK73EB1A475K	CHIP C 4.7UF K	
C109,110			CK73GB1H104K	CHIP C 0.10UF K		C706			CK73GB1H103K	CHIP C 0.010UF K	
C111			CC73GCH1H020C	CHIP C 2.0PF C		C707			CE32CL1E4R7M	CHIP EL 4.7UF 25WV	
C112			CK73FB0J106K	CHIP C 10UF K		C708			CE32CLOJ101M	CHIP EL 100UF 6.3WV	
C113-116			CK73GB1H104K	CHIP C 0.10UF K		C709			CE32CL1E4R7M	CHIP EL 4.7UF 25WV	
C117,118			CK73GB1H103K	CHIP C 0.010UF K		C713			CE32CLOJ470M	CHIP EL 47UF 6.3WV	
C119			CK73FB0J106K	CHIP C 10UF K		C714			CK73GB1H104K	CHIP C 0.10UF K	
C121			CK73GB1A105K	CHIP C 1.0UF K		C715			CK73GB1H103K	CHIP C 0.010UF K	
C122			CC73GCH1H020C	CHIP C 2.0PF C		C716			CE32CL1C220M	CHIP EL 22UF 16WV	
C123			CK73GB1H103K	CHIP C 0.010UF K		C717			CE32CL1C470M	CHIP EL 47UF 16WV	
C124			CK73FB0J106K	CHIP C 10UF K		C720			CK73GB1H103K	CHIP C 0.010UF K	
C223			CK73GB1H103K	CHIP C 0.010UF K		C721			CE32CLOJ470M	CHIP EL 47UF 6.3WV	
C227			CC73GCH1H151J	CHIP C 150PF J		C722			CE32CL1C220M	CHIP EL 22UF 16WV	
C228			CK73GB1H104K	CHIP C 0.10UF K		C723			CK73GB1H103K	CHIP C 0.010UF K	
C231			CK73GB1H103K	CHIP C 0.010UF K		C803-806			CK73GB1A105K	CHIP C 1.0UF K	
C269			CC73GCH1H331J	CHIP C 330PF J		C810			CK73GB1H104K	CHIP C 0.10UF K	
C301,302			CK73FB0J106K	CHIP C 10UF K		C813			CK73GB1H104K	CHIP C 0.10UF K	
C304			CK73GB1H104K	CHIP C 0.10UF K	E1E2	C814-817			CK73GB1A105K	CHIP C 1.0UF K	KM1R1
C305,306			CC73GCH1H680J	CHIP C 68PF J		C814-817			CK73GB1A105K	CHIP C 1.0UF K	X1
C307-310			CK73GB1H104K	CHIP C 0.10UF K		C814-821			CK73GB1A105K	CHIP C 1.0UF K	E1E2
C311			CC73GCH1H220J	CHIP C 22PF J		C823,824			CK73GB1A105K	CHIP C 1.0UF K	
C312			CC73GCH1H180J	CHIP C 18PF J		C828			CK73GB1H103K	CHIP C 0.010UF K	E1E2
C313			CK73GB0J475K	CHIP C 4.7UF K		C829,830			CE32CL1C220M	CHIP EL 22UF 16WV	
C314-316			CK73GB1H104K	CHIP C 0.10UF K		C834			CK73GB1H104K	CHIP C 0.10UF K	
C317			CK73GB1H103K	CHIP C 0.010UF K		C836-838			CK73GB1A105K	CHIP C 1.0UF K	E1E2
C320			CK73GB1H102K	CHIP C 1000PF K		C838			CK73GB1A105K	CHIP C 1.0UF K	KM1R1
C350			CK73GB1H104K	CHIP C 0.10UF K		C838			CK73GB1A105K	CHIP C 1.0UF K	X1
C405			CK73GB1H103K	CHIP C 0.010UF K		C840			CK73GB1A105K	CHIP C 1.0UF K	
C406			CK73FB0J106K	CHIP C 10UF K		C841			CK73FB0J106K	CHIP C 10UF K	
C407			CK73GB1H103K	CHIP C 0.010UF K		C842			CK73GB1A105K	CHIP C 1.0UF K	
C450			CK73GB1H103K	CHIP C 0.010UF K		C843			CK73GB1H104K	CHIP C 0.10UF K	

K : DDX6019 (North America) E1 : DDX6029 E2 : DDX6029Y (Europe)
X1 : DDX6039 (Australia) R1 : DDX6039 (Latin America) M1 : DDX6039 (Other Areas)

△ Indicates safety critical components.

PARTS LIST

ELECTRIC UNIT (X34-439x-xx)

Ref. No.	Add	New	Parts No.	Description	Destination	Ref. No.	Add	New	Parts No.	Description	Destination
C846			CE32BQ0J331M	CHIP EL 330UF 6.3WV		R15			RK73GB2A000J	CHIP R 0.0 J 1/10W	
C852			CK73EB1A106K	CHIP C 10UF K		R20			RK73GB2A104J	CHIP R 100K J 1/10W	
C854			CE32BF1E220M	CHIP EL 22UF 25WV		R22			RK73GB2A104J	CHIP R 100K J 1/10W	
C864-867			CK73GB1H103K	CHIP C 0.010UF K		R23			RN73GH1J512D	CHIP R 5.1K D 1/16W	
C868-870			CK73GB1A105K	CHIP C 1.0UF K	KM1R1	R24			RN73GH1J473D	CHIP R 47K D 1/16W	
C868-870			CK73GB1A105K	CHIP C 1.0UF K	X1	R30,31			RK73EB2E000J	CHIP R 0.0 J 1/4W	
C891			CK73GB1H561K	CHIP C 560PF K		R39-42			RK73GB2A000J	CHIP R 0.0 J 1/10W	
C892			CK73GB1A105K	CHIP C 1.0UF K		R44-52			RK73GB2A000J	CHIP R 0.0 J 1/10W	
C893			CK73GB1H561K	CHIP C 560PF K		R55			RN73GH1J473D	CHIP R 47K D 1/16W	
C894			CK73GB1H103K	CHIP C 0.010UF K		R56			RN73GH1J333D	CHIP R 33K D 1/16W	
C895			CK73FB0J106K	CHIP C 10UF K		R57			RK73GB2A104J	CHIP R 100K J 1/10W	
C896-898			CK73GB1H104K	CHIP C 0.10UF K		R60			RK73GB2A000J	CHIP R 0.0 J 1/10W	
CN1	*		E41-2649-05	PIN ASSY		R61			RK73GB2A393J	CHIP R 39K J 1/10W	
CN2			E41-2259-05	PIN ASSY		R62			RK73GB2A561J	CHIP R 560 J 1/10W	
CN401			E41-2153-05	FLAT CABLE CONNECTOR		R63			RK73EB2E000J	CHIP R 0.0 J 1/4W	
CN501			E41-2608-05	FLAT CABLE CONNECTOR		R65			RK73GB2A000J	CHIP R 0.0 J 1/10W	
CN601			E41-2153-05	FLAT CABLE CONNECTOR		R70,71			RK73EB2E100J	CHIP R 10 J 1/4W	
CN700	*		E41-2636-05	PIN ASSY		R74,75			RK73GB2A101J	CHIP R 100 J 1/10W	
CN701	*		E41-2634-05	PIN ASSY		R76			RN73GH1J221D	CHIP R 220 D 1/16W	
CN702			E40-6469-05	PIN ASSY		R77			RN73GH1J472D	CHIP R 4.7K D 1/16W	
CN703			E41-2650-05	PIN ASSY		R79			RK73GB2A000J	CHIP R 0.0 J 1/10W	
CN704			E41-2153-05	FLAT CABLE CONNECTOR		R80			RK73GB2A104J	CHIP R 100K J 1/10W	
J401			E56-0854-05	CYLINDRICAL RECEPTACLE		R82			RK73GB2A000J	CHIP R 0.0 J 1/10W	
J700			E58-0998-05	RECTANGULAR RECEPTACLE		R83			RN73GH1J333D	CHIP R 33K D 1/16W	
F1			F53-0297-05	FUSE (UL,CSA) 1.6A		R84			RN73GH1J243D	CHIP R 24K D 1/16W	
L2	*		L33-1913-05	CHOKE COIL (33UH)		R101			RK73GB2A000J	CHIP R 0.0 J 1/10W	
L3			L33-1906-05	CHOKE COIL (47UH)		R103-105			RK73GB2A000J	CHIP R 0.0 J 1/10W	
L10			L33-1986-05	CHOKE COIL (22UH)		R106			RK73GB2A104J	CHIP R 100K J 1/10W	
L101-104			L41-1005-33	SMALL FIXED INDUCTOR (10U)		R108,109			RK73GB2A000J	CHIP R 0.0 J 1/10W	
L202,203			L92-0319-05	CHIP FERRITE		R147			RK73GB2A104J	CHIP R 100K J 1/10W	
L301-304			L92-0319-05	CHIP FERRITE		R149			RN73GH1J512D	CHIP R 1.5K D 1/16W	
L401			L92-0319-05	CHIP FERRITE		R150			RK73GB2A680J	CHIP R 68 J 1/10W	
L402			L92-0332-05	CHIP FERRITE		R151	*		RN73GH1J131D	CHIP R 130 D 1/16W	
L501			L33-2316-05	CHOKE COIL (10UH)		R168,169	*		RN73GH1J131D	CHIP R 130 D 1/16W	
L600			L33-2316-05	CHOKE COIL (10UH)		R170,171	*		RK73GB2A101J	CHIP R 100 J 1/10W	
L601	*		L33-1913-05	CHOKE COIL (33UH)		R172			RK73GB2A272J	CHIP R 2.7K J 1/10W	
L602			L41-1005-33	SMALL FIXED INDUCTOR (10U)		R173			RK73GB2A101J	CHIP R 100 J 1/10W	
L603			L92-0319-05	CHIP FERRITE		R174			RK73GB2A272J	CHIP R 2.7K J 1/10W	
L700			L41-1005-33	SMALL FIXED INDUCTOR (10U)		R175			RK73GB2A101J	CHIP R 100 J 1/10W	
L701			L92-0319-05	CHIP FERRITE		R176			RK73GB2A272J	CHIP R 2.7K J 1/10W	
L800			L41-1005-33	SMALL FIXED INDUCTOR (10U)		R177			RK73GB2A103J	CHIP R 10K J 1/10W	
X2			L77-2917-05	CRYSTAL RESONATOR (32.768KHZ)		R181			RK73GB2A471J	CHIP R 470 J 1/10W	
X3			L78-1210-05	RESONATOR (4.95MHZ)		R182			RK73GB2A473J	CHIP R 47K J 1/10W	
CP1-8			RK74GB1J330J	CHIP-COM 33 J 1/16W		R183			RK73GB2A561J	CHIP R 560 J 1/10W	
R1,2			RK73GH2A124D	CHIP R 120K D 1/10W		R193,194	*		RN73GH1J100D	CHIP R 10 D 1/16W	
R3			RK73GB2A273J	CHIP R 27K J 1/10W		R195			RK73GB2A101J	CHIP R 100 J 1/10W	
R4			RK73GB2A473J	CHIP R 47K J 1/10W		R196	*		RN73GH1J100D	CHIP R 10 D 1/16W	
R5			RN73GH1J272D	CHIP R 2.7K D 1/16W		R226			RK73GB2A515J	CHIP R 5.1M J 1/10W	
R6			RN73GH1J752D	CHIP R 7.5K D 1/16W		R233			RK73GB2A101J	CHIP R 100 J 1/10W	
R7,8			RK73GB2A101J	CHIP R 100 J 1/10W		R237			RK73GB2A000J	CHIP R 0.0 J 1/10W	
R9			RN73GH1J223D	CHIP R 22K D 1/16W		R239			RK73GB2A000J	CHIP R 0.0 J 1/10W	
R10			RN73GH1J303D	CHIP R 30K D 1/16W		R246,247			RK73GB2A000J	CHIP R 0.0 J 1/10W	
R11,12			RK73GB2A000J	CHIP R 0.0 J 1/10W		R263			RK73GB2A201J	CHIP R 200 J 1/10W	
						R264			RK73GB2A000J	CHIP R 0.0 J 1/10W	
						R280			RK73GB2A000J	CHIP R 0.0 J 1/10W	

K : DDX6019 (North America) E1 : DDX6029 E2 : DDX6029Y (Europe)
X1 : DDX6039 (Australia) R1 : DDX6039 (Latin America) M1 : DDX6039 (Other Areas)

△ Indicates safety critical components.

PARTS LIST

ELECTRIC UNIT (X34-439x-xx)

Ref. No.	A d	N e w	Parts No.	Description	Desti- nation	Ref. No.	A d	N e w	Parts No.	Description	Desti- nation
R301			RK73GB2A471J	CHIP R 470 J 1/10W		R400			RK73GB2A473J	CHIP R 47K J 1/10W	
R302,303			RK73GB2A101J	CHIP R 100 J 1/10W		R405			RK73GB2A470J	CHIP R 47 J 1/10W	
R304			RK73GB2A471J	CHIP R 470 J 1/10W		R406,407			RK73GB2A101J	CHIP R 100 J 1/10W	
R305-312			RK73GB2A101J	CHIP R 100 J 1/10W		R408			RK73GB2A470J	CHIP R 47 J 1/10W	
R313			RK73GB2A471J	CHIP R 470 J 1/10W		R409			RK73GB2A101J	CHIP R 100 J 1/10W	
R319,320			RK73GB2A101J	CHIP R 100 J 1/10W		R410-412			RK73GB2A470J	CHIP R 47 J 1/10W	
R323,324			RK73GB2A473J	CHIP R 47K J 1/10W		R413			RK73GB2A472J	CHIP R 4.7K J 1/10W	
R325			RK73GB2A471J	CHIP R 470 J 1/10W		R414,415			RK73GB2A220J	CHIP R 22 J 1/10W	
R326			RK73GB2A473J	CHIP R 47K J 1/10W		R416			RK73EB2E391J	CHIP R 390 J 1/4W	
R327			RK73GB2A101J	CHIP R 100 J 1/10W		R417			RK73EB2E150J	CHIP R 15 J 1/4W	
R328			RK73GB2A473J	CHIP R 47K J 1/10W		R422			RK73GB2A000J	CHIP R 0.0 J 1/10W	
R329,330			RK73GB2A101J	CHIP R 100 J 1/10W		R434			RK73GB2A272J	CHIP R 2.7K J 1/10W	
R331,332			RK73GB2A103J	CHIP R 10K J 1/10W		R435			RK73GB2A151J	CHIP R 150 J 1/10W	
R333			RK73GB2A473J	CHIP R 47K J 1/10W		R437			RK73GB2A000J	CHIP R 0.0 J 1/10W	
R335			RK73GB2A473J	CHIP R 47K J 1/10W		R438-443			RK73GB2A104J	CHIP R 100K J 1/10W	
R337			RK73GB2A473J	CHIP R 47K J 1/10W		R450			RK73GB2A000J	CHIP R 0.0 J 1/10W	
R338-340			RK73GB2A101J	CHIP R 100 J 1/10W		R453			RK73GB2A000J	CHIP R 0.0 J 1/10W	
R342			RK73GB2A102J	CHIP R 1.0K J 1/10W		R460			RK73GB2A224J	CHIP R 220K J 1/10W	
R343			RK73GB2A103J	CHIP R 10K J 1/10W	K	R462			RK73GB2A473J	CHIP R 47K J 1/10W	
R343-345			RK73GB2A103J	CHIP R 10K J 1/10W	R1	R463			RK73GB2A203J	CHIP R 20K J 1/10W	
R343,344			RK73GB2A103J	CHIP R 10K J 1/10W	M1	R464			RK73GB2A473J	CHIP R 47K J 1/10W	
R344			RK73GB2A103J	CHIP R 10K J 1/10W	E1E2	R465			RK73GB2A103J	CHIP R 10K J 1/10W	
R345			RK73GB2A103J	CHIP R 10K J 1/10W	X1	R467			RK73GB2A000J	CHIP R 0.0 J 1/10W	
R346			RK73GB2A471J	CHIP R 470 J 1/10W		R475			RK73GB2A000J	CHIP R 0.0 J 1/10W	
R347			RK73GB2A103J	CHIP R 10K J 1/10W	E1E2X1	R502-519			RK73GB2A101J	CHIP R 100 J 1/10W	
R348			RK73GB2A473J	CHIP R 47K J 1/10W		R525-527			RK73GB2A000J	CHIP R 0.0 J 1/10W	
R349			RK73GB2A103J	CHIP R 10K J 1/10W	KX1	R530,531			RK73GB2A000J	CHIP R 0.0 J 1/10W	
R350			RK73GB2A101J	CHIP R 100 J 1/10W		R535			RK73GB2A101J	CHIP R 100 J 1/10W	
R351			RK73GB2A103J	CHIP R 10K J 1/10W	KM1E1	R536			RK73EB2E000J	CHIP R 0.0 J 1/4W	
R351			RK73GB2A103J	CHIP R 10K J 1/10W	E2	R600			RK73EB2E000J	CHIP R 0.0 J 1/4W	
R352			RK73GB2A101J	CHIP R 100 J 1/10W		R601			RK73GB2A101J	CHIP R 100 J 1/10W	
R353			RK73GB2A473J	CHIP R 47K J 1/10W		R602			RK73GH2A124D	CHIP R 120K D 1/10W	
R354			RK73GB2A514J	CHIP R 510K J 1/10W		R603			RN73GH1J333D	CHIP R 33K D 1/16W	
R355			RK73GB2A102J	CHIP R 1.0K J 1/10W		R604			RN73GH1J473D	CHIP R 47K D 1/16W	
R356,357			RK73GB2A473J	CHIP R 47K J 1/10W		R605			RK73GB2A273J	CHIP R 27K J 1/10W	
R358			RK73GB2A471J	CHIP R 470 J 1/10W		R606			RN73GH1J302D	CHIP R 3.0K D 1/16W	
R359			RK73GB2A000J	CHIP R 0.0 J 1/10W		R607,608			RK73GB2A000J	CHIP R 0.0 J 1/10W	
R361-364			RK73GB2A000J	CHIP R 0.0 J 1/10W		R609			RK73GB2A104J	CHIP R 100K J 1/10W	
R365			RK73GB2A101J	CHIP R 100 J 1/10W		R610			RK73GB2A101J	CHIP R 100 J 1/10W	
R366			RK73GB2A000J	CHIP R 0.0 J 1/10W		R611			RN73GH1J243D	CHIP R 24K D 1/16W	
R367			RK73GB2A101J	CHIP R 100 J 1/10W		R613			RK73GB2A000J	CHIP R 0.0 J 1/10W	
R368-371			RK73GB2A471J	CHIP R 470 J 1/10W		R614			RK73EB2E100J	CHIP R 10 J 1/4W	
R372			RK73GB2A473J	CHIP R 47K J 1/10W		R615,616			RK73GB2A000J	CHIP R 0.0 J 1/10W	
R374			RK73GB2A473J	CHIP R 47K J 1/10W		R620			RK73GB2A223J	CHIP R 22K J 1/10W	
R375			RK73GB2A101J	CHIP R 100 J 1/10W		R621			RK73GB2A102J	CHIP R 1.0K J 1/10W	
R377			RK73GB2A123J	CHIP R 12K J 1/10W		R653			RK73EB2E000J	CHIP R 0.0 J 1/4W	
R378,379			RK73GB2A000J	CHIP R 0.0 J 1/10W		R655,656			RK73GB2A472J	CHIP R 4.7K J 1/10W	
R380-382			RK73GB2A473J	CHIP R 47K J 1/10W		R658			RK73GB2A000J	CHIP R 0.0 J 1/10W	
R385,386			RK73GB2A101J	CHIP R 100 J 1/10W		R659			RK73GB2A472J	CHIP R 4.7K J 1/10W	
R391			RK73GB2A101J	CHIP R 100 J 1/10W		R660			RK73GB2A000J	CHIP R 0.0 J 1/10W	
R392			RK73GB2A104J	CHIP R 100K J 1/10W		R661			RK73GB2A223J	CHIP R 22K J 1/10W	
R393			RK73GB2A473J	CHIP R 47K J 1/10W		R662			RK73FB2B000J	CHIP R 0.0 J 1/8W	
R394			RK73GB2A101J	CHIP R 100 J 1/10W		R663			RK73GB2A000J	CHIP R 0.0 J 1/10W	
R396-398			RK73GB2A101J	CHIP R 100 J 1/10W		R700-703			RK73GB2A750J	CHIP R 75 J 1/10W	
R399			RK73GB2A105J	CHIP R 1.0M J 1/10W		R704,705			RK73EB2E102J	CHIP R 1.0K J 1/4W	

K : DDX6019 (North America) E1 : DDX6029 E2 : DDX6029Y (Europe)
X1 : DDX6039 (Australia) R1 : DDX6039 (Latin America) M1 : DDX6039 (Other Areas)

△ Indicates safety critical components.

PARTS LIST

ELECTRIC UNIT (X34-439x-xx)

Ref. No.	Add	New	Parts No.	Description	Destination	Ref. No.	Add	New	Parts No.	Description	Destination
R706-708			RK73EB2E101J	CHIP R 100 J 1/4W		R794,795			RK73GB2A000J	CHIP R 0.0 J 1/10W	
R709			RK73EB2E000J	CHIP R 0.0 J 1/4W		R805-809			RK73GB2A000J	CHIP R 0.0 J 1/10W	E1E2
R710,711			RK73EB2E102J	CHIP R 1.0K J 1/4W		R808,809			RK73GB2A000J	CHIP R 0.0 J 1/10W	KM1R1
R712			RK73EB2E100J	CHIP R 10 J 1/4W		R808,809			RK73GB2A000J	CHIP R 0.0 J 1/10W	X1
R713			RK73EB2E4R7J	CHIP R 4.7 J 1/4W		R810,811			RK73GB2A473J	CHIP R 47K J 1/10W	
R714			RK73EB2E100J	CHIP R 10 J 1/4W		R812			RK73GB2A121J	CHIP R 120 J 1/10W	
R715			RK73GB2A750J	CHIP R 75 J 1/10W		R816-818			RK73GB2A101J	CHIP R 100 J 1/10W	
R716,717			RK73EB2E101J	CHIP R 100 J 1/4W	E1E2	R820,821			RK73GB2A473J	CHIP R 47K J 1/10W	
R718,719			RK73GB2A750J	CHIP R 75 J 1/10W		R822-824			RK73GB2A272J	CHIP R 2.7K J 1/10W	
R720,721			RK73EB2E101J	CHIP R 100 J 1/4W	E1E2	R825			RK73GB2A182J	CHIP R 1.8K J 1/10W	
R721			RK73EB2E101J	CHIP R 100 J 1/4W	KM1R1	R827			RK73GB2A121J	CHIP R 120 J 1/10W	
R721			RK73EB2E101J	CHIP R 100 J 1/4W	X1	R828-830			RK73GB2A473J	CHIP R 47K J 1/10W	
R722,723			RK73EB2E100J	CHIP R 10 J 1/4W		R835-837			RK73GB2A121J	CHIP R 120 J 1/10W	
R724			RK73EB2E102J	CHIP R 1.0K J 1/4W		R840,841			RK73GB2A000J	CHIP R 0.0 J 1/10W	
R725			RK73GB2A750J	CHIP R 75 J 1/10W		R860			RK73GB2A561J	CHIP R 560 J 1/10W	
R726			RK73GB2A000J	CHIP R 0.0 J 1/10W		R861			RK73GB2A334J	CHIP R 330K J 1/10W	
R727			RK73GB2A101J	CHIP R 100 J 1/10W		R862			RK73GB2A103J	CHIP R 10K J 1/10W	
R728			RK73EB2E102J	CHIP R 1.0K J 1/4W		R871-873			RK73GB2A000J	CHIP R 0.0 J 1/10W	
R729			RK73GB2A000J	CHIP R 0.0 J 1/10W		R877			RK73GB2A103J	CHIP R 10K J 1/10W	
R730			RK73GB2A102J	CHIP R 1.0K J 1/10W		R878			RK73GB2A000J	CHIP R 0.0 J 1/10W	
R731			RK73GB2A101J	CHIP R 100 J 1/10W		R879			RK73GB2A103J	CHIP R 10K J 1/10W	
R732			RK73EB2E102J	CHIP R 1.0K J 1/4W		R880-882			RK73GB2A000J	CHIP R 0.0 J 1/10W	
R733			RK73GB2A750J	CHIP R 75 J 1/10W		R884-889			RK73GB2A000J	CHIP R 0.0 J 1/10W	
R734			RK73GB2A000J	CHIP R 0.0 J 1/10W		R890-893			RK73GB2A473J	CHIP R 47K J 1/10W	
R735			RK73GB2A750J	CHIP R 75 J 1/10W		R894-896			RK73GB2A000J	CHIP R 0.0 J 1/10W	
R736,737			RK73EB2E101J	CHIP R 100 J 1/4W		R897-902			RK73GB2A473J	CHIP R 47K J 1/10W	KM1R1
R738			RK73GB2A100J	CHIP R 10 J 1/10W		R897-902			RK73GB2A473J	CHIP R 47K J 1/10W	X1
R739			RK73EB2E100J	CHIP R 10 J 1/4W		R905,906			RK73GB2A223J	CHIP R 22K J 1/10W	
R740			RK73GB2A000J	CHIP R 0.0 J 1/10W		R907			RK73GB2A473J	CHIP R 47K J 1/10W	
R741			RK73EB2E4R7J	CHIP R 4.7 J 1/4W		D1,2			EC31QS04AG	DIODE	
R742			RK73EB2E100J	CHIP R 10 J 1/4W		D14-16			DAP202U	DIODE	
R743			RK73GB2A101J	CHIP R 100 J 1/10W		D60			DAP202U	DIODE	
R747-749			RK73EB2E101J	CHIP R 100 J 1/4W		D301			AVRM1608120M6A	VARISTOR	
R750			RK73EB2E4R7J	CHIP R 4.7 J 1/4W		D401			AVRM1608270MAA	VARISTOR	
R751			RK73EB2E101J	CHIP R 100 J 1/4W		D509			AVRM1608120M6A	VARISTOR	
R753			RK73EB2E750J	CHIP R 75 J 1/4W		D600			EC31QS04AG	DIODE	
R754-757			RK73GB2A101J	CHIP R 100 J 1/10W		D601,602			AVRM1608120M6A	VARISTOR	
R758			RK73GB2A102J	CHIP R 1.0K J 1/10W		D603			AVRM1608180M6A	VARISTOR	
R760			RK73GB2A102J	CHIP R 1.0K J 1/10W		D607			DA204U	DIODE	
R761,762			RK73GB2A100J	CHIP R 10 J 1/10W	E1E2	D610,611			AVRM1608120M6A	VARISTOR	
R763			RK73GB2A102J	CHIP R 1.0K J 1/10W		D612			UDZS6.2B	ZENER DIODE	
R764-767			RK73GB2A100J	CHIP R 10 J 1/10W	E1E2	D613			DA204U	DIODE	
R764,765			RK73GB2A100J	CHIP R 10 J 1/10W	KM1R1	D615			UDZS6.2B	ZENER DIODE	
R764,765			RK73GB2A100J	CHIP R 10 J 1/10W	X1	D616			UDZS5.6B	ZENER DIODE	
R767			RK73GB2A100J	CHIP R 10 J 1/10W	KM1R1	D617			AVRM1608120M6A	VARISTOR	
R767			RK73GB2A100J	CHIP R 10 J 1/10W	X1	D700			STZ6.2N	ZENER DIODE	
R769,770			RK73GB2A100J	CHIP R 10 J 1/10W		D701			STZ6.8N	ZENER DIODE	
R771			RK73GB2A222J	CHIP R 2.2K J 1/10W		D704			AVRM1608270MAA	VARISTOR	
R772			RK73GB2A102J	CHIP R 1.0K J 1/10W		D705			STZ6.8N	ZENER DIODE	
R773,774			RK73GB2A100J	CHIP R 10 J 1/10W		D706			STZ6.2N	ZENER DIODE	
R775			RK73GB2A102J	CHIP R 1.0K J 1/10W		D708-712			STZ6.2N	ZENER DIODE	
R776			RK73GB2A222J	CHIP R 2.2K J 1/10W		D714,715			STZ6.2N	ZENER DIODE	E1E2
R777			RK73GB2A103J	CHIP R 10K J 1/10W		D715			STZ6.2N	ZENER DIODE	KM1R1
R779-784			RK73GB2A000J	CHIP R 0.0 J 1/10W		D715			STZ6.2N	ZENER DIODE	X1
R790,791			RK73GB2A000J	CHIP R 0.0 J 1/10W							

K : DDX6019 (North America) E1 : DDX6029 E2 : DDX6029Y (Europe)
X1 : DDX6039 (Australia) R1 : DDX6039 (Latin America) M1 : DDX6039 (Other Areas)

△ Indicates safety critical components.

PARTS LIST

ELECTRIC UNIT (X34-439x-xx)

Ref. No.	A d d	N e w	Parts No.	Description	Desti- nation
D718			STZ6.8N	ZENER DIODE	
D719,720			STZ6.2N	ZENER DIODE	E1E2
D720			STZ6.2N	ZENER DIODE	KM1R1
D720			STZ6.2N	ZENER DIODE	X1
D722			STZ6.2N	ZENER DIODE	KM1R1
D722			STZ6.2N	ZENER DIODE	X1
D722,723			STZ6.2N	ZENER DIODE	E1E2
D725-727			STZ6.2N	ZENER DIODE	
D728			DAP202U	DIODE	
D729			UDZS4.7B	ZENER DIODE	
D730			DAP202U	DIODE	
D731			UDZS4.7B	ZENER DIODE	
D742,743			UDZS8.2B	ZENER DIODE	
D750			UDZS6.2B	ZENER DIODE	
D800			DAP202U	DIODE	
D801			AVRM1608180M6A	VARISTOR	
D804,805			AVRM1608120M6A	VARISTOR	
IC1,2			BD9781HFP	ANALOGUE IC	
IC3		*	SI-3050LUS	ANALOGUE IC	
IC4			SI-3050KD	ANALOGUE IC	
IC5			SI-3012KD	ANALOGUE IC	
IC60			SI-3033KMS	ANALOGUE IC	
IC101		*	23L1613T195V6	ROM IC	
IC102			LC74735NW9817E	MOS-IC	
IC210			TC7WHU04FU-F	MOS-IC	
IC211			TC7SET08FU-F	MOS-IC	
IC301			TC74VHCT08AFT	MOS-IC	E1E2
IC302			BR24L02FV-W	ROM IC	
IC303			S-80830CNNB-G	MOS-IC	
IC304		*	703266YGJ504A	MICROCONTROLLER IC	
IC305			TC7SET08FU-F	MOS-IC	
IC401			TC7SET32FU-F	MOS-IC	
IC600			BD9781HFP	ANALOGUE IC	
IC601		*	TC7W14FU-F	MOS-IC	
IC603			TC7SET08FU-F	MOS-IC	
IC700			BA3121F	ANALOGUE IC	
IC702			BA3121F	ANALOGUE IC	
IC703			TC7S08FU-F	MOS-IC	
IC704			LB1836M-TLM-E	ANALOGUE IC	
IC801			BA7653AFV	ANALOGUE IC	
IC802			BA7649F	ANALOGUE IC	
IC804			BA7653AFV	ANALOGUE IC	
IC805			MM1234XFB-E	ANALOGUE IC	E1E2
IC810			MM1508XNRE-E	ANALOGUE IC	
IC812		*	SI-3050LUS	ANALOGUE IC	
IC815			MM1108XFFE-E	ANALOGUE IC	
Q3			2SA1576A	TRANSISTOR	
Q5			2SC4081	TRANSISTOR	
Q7			2SC4081	TRANSISTOR	
Q8			2SA1576A	TRANSISTOR	
Q60			2SB1689	TRANSISTOR	
Q61			DTC114EUA	DIGITAL TRANSISTOR	
Q101-103			2SA1576A	TRANSISTOR	
Q105			2SA1576A	TRANSISTOR	
Q106			2SC4081	TRANSISTOR	

Ref. No.	A d d	N e w	Parts No.	Description	Desti- nation
Q301			DTC144EUA	DIGITAL TRANSISTOR	
Q302			DTA114EUA	DIGITAL TRANSISTOR	
Q307			DTA124EUA	DIGITAL TRANSISTOR	
Q308			DTC144EUA	DIGITAL TRANSISTOR	
Q404			2SA1576A	TRANSISTOR	
Q600			2SC4081	TRANSISTOR	
Q601			2SA1576A	TRANSISTOR	
Q602			2SB1689	TRANSISTOR	
Q603			DTC143ZUA	DIGITAL TRANSISTOR	
Q800-802			2SA1576A	TRANSISTOR	
Q803-806			2SC4081	TRANSISTOR	
Q807			DTA124EUA	DIGITAL TRANSISTOR	
VIDEO UNIT (X35-467x-xx)					
C1			CK73HB1E103K	CHIP C	0.010UF K
C2			C92-1903-05	ELECTRO	10UF 16WV
C3			CC73HCH1H100D	CHIP C	10PF D
C4			CK73EB1E225K	CHIP C	2.2UF K
C5			CK73HB1H102K	CHIP C	1000PF K
C6			CK73HB1E223K	CHIP C	0.022UF K
C7			CC73GCH1H102J	CHIP C	1000PF J
C8			CK73EB1E105K	CHIP C	1.0UF K
C9			CK73GB1H104K	CHIP C	0.10UF K
C10			CK73HB1H102K	CHIP C	1000PF K
C11			CC73GCH1H102J	CHIP C	1000PF J
C12			CK73HB1E103K	CHIP C	0.010UF K
C13			CC73HCH1H390J	CHIP C	39PF J
C14			CK73EB1A106K	CHIP C	10UF K
C15			CK73GB1H104K	CHIP C	0.10UF K
C16			CK73HB1H102K	CHIP C	1000PF K
C17			CC73HCH1H390J	CHIP C	39PF J
C18			CK73HB1H102K	CHIP C	1000PF K
C20			CK73GB1H104K	CHIP C	0.10UF K
C21			CK73HB1H102K	CHIP C	1000PF K
C22			CK73GB1H104K	CHIP C	0.10UF K
C23			CC73GCH1H820J	CHIP C	82PF J
C24			CK73GB1H104K	CHIP C	0.10UF K
C25,26			CK73HB1H102K	CHIP C	1000PF K
C27			C93-1400-05	CHIP C	1000PF J
C28			C93-1399-05	CHIP C	100PF J
C29,30			CK73GB1H104K	CHIP C	0.10UF K
C31			CC73GCH1H681J	CHIP C	680PF J
C32			CK73GB1H104K	CHIP C	0.10UF K
C33			CC73HCH1H101J	CHIP C	100PF J
C34			CK73FB1A225K	CHIP C	2.2UF K
C35			CK73EB1E105K	CHIP C	1.0UF K
C36			CK73FB0J106K	CHIP C	10UF K
C37			CK73FB1C105K	CHIP C	1.0UF K
C38,39			CK73HB1E103K	CHIP C	0.010UF K
C40			CC73HCH1H100D	CHIP C	10PF D
C41-50			CK73HB1E103K	CHIP C	0.010UF K
C51			CK73GB1H104K	CHIP C	0.10UF K
C52,53			CK73HB1E103K	CHIP C	0.010UF K
C55			CK73HB1E103K	CHIP C	0.010UF K
C100			CK73HB1E103K	CHIP C	0.010UF K

K : DDX6019 (North America) E1 : DDX6029 E2 : DDX6029Y (Europe)
X1 : DDX6039 (Australia) R1 : DDX6039 (Latin America) M1 : DDX6039 (Other Areas)

△ Indicates safety critical components.

PARTS LIST

VIDEO UNIT (X35-467x-xx)

Ref. No.	Add	New	Parts No.	Description	Destination	Ref. No.	Add	New	Parts No.	Description	Destination
C101			CK73EB1A106K	CHIP C 10UF K		C225,226			CK73GB0J225K	CHIP C 2.2UF K	
C102			CC73GCH1H470J	CHIP C 47PF J		C227			CK73GB1H153K	CHIP C 0.015UF K	
C103			CK73HB1E103K	CHIP C 0.010UF K		C228			CK73EB1E105K	CHIP C 1.0UF K	
C104			C92-1946-05	ELECTRO 47UF 16WV		C229			CK73GB1H152K	CHIP C 1500PF K	
C105			CK73GB1H104K	CHIP C 0.10UF K		C230			C92-1904-05	ELECTRO 22UF 16WV	
C107			CK73HB1E103K	CHIP C 0.010UF K		C231,232			CK73GB1H104K	CHIP C 0.10UF K	
C110			C92-1904-05	ELECTRO 22UF 16WV		C233			CK73GB1H103K	CHIP C 0.010UF K	
C111			CK73GB1H102K	CHIP C 1000PF K		C234			CK73GB1H104K	CHIP C 0.10UF K	
C112			CK73GB1A105K	CHIP C 1.0UF K		C235			CK73GB1H473K	CHIP C 0.047UF K	
C113			C92-1904-05	ELECTRO 22UF 16WV		C236			C93-1398-05	CHIP C 220PF	
C114			CK73GB1H104K	CHIP C 0.10UF K		C237			CK73GB1H473K	CHIP C 0.047UF K	
C115,116			CK73GB1H102K	CHIP C 1000PF K		C239			CK73DF1E106Z	CHIP C 10UF Z	
C118			CK73GB1H103K	CHIP C 0.010UF K		C240			CK73GB1H103K	CHIP C 0.010UF K	
C120			CK73GB1H103K	CHIP C 0.010UF K		C241			CK73DF1E106Z	CHIP C 10UF Z	
C122			CK73GB1H103K	CHIP C 0.010UF K		C242			CK73GB1H103K	CHIP C 0.010UF K	
C124			CK73GB1H103K	CHIP C 0.010UF K		C243			CK73HB1E103K	CHIP C 0.010UF K	
C126			CK73GB1H103K	CHIP C 0.010UF K		C245			CK73FB0J106K	CHIP C 10UF K	
C127			CK73GB1H102K	CHIP C 1000PF K		C246-248			C93-1283-05	CHIP C 1.0UF K	
C129			CK73GB1H103K	CHIP C 0.010UF K		C249			C93-1270-05	CHIP C 3300PF K	
C130			CK73GB1A105K	CHIP C 1.0UF K		C250			C93-1273-05	CHIP C 15PF J	
C131			CC73GCH1H821J	CHIP C 820PF J		C251			C93-1278-05	CHIP C 0.018UF K	
C132			CK73EB1A106K	CHIP C 10UF K		C252			CK73GB1H104K	CHIP C 0.10UF K	
C133			CK73GB1A105K	CHIP C 1.0UF K		C253			CK73DF1E106Z	CHIP C 10UF Z	
C134			CK73GB1H104K	CHIP C 0.10UF K		C254			CK73EB1E105K	CHIP C 1.0UF K	
C135			CK73GB1H682K	CHIP C 6800PF K		C255			CC73GCH1H270J	CHIP C 27PF J	
C136			C93-1403-05	CHIP C 22UF M		C257			CK73FB0J106K	CHIP C 10UF K	
C138			CK73GB1H104K	CHIP C 0.10UF K		C258			CK73DF1E106Z	CHIP C 10UF Z	
C139			C92-1946-05	ELECTRO 47UF 16WV		C259			CK73GB1H104K	CHIP C 0.10UF K	
C140			CK73GB1H104K	CHIP C 0.10UF K		C261			CK73DF1E106Z	CHIP C 10UF Z	
C141			CK73GB1H103K	CHIP C 0.010UF K		C262,263			CK73GB1H104K	CHIP C 0.10UF K	
C142			CC73GCH1H050C	CHIP C 5.0PF C		C264			CK73FB0J106K	CHIP C 10UF K	
C143			CC73GCH1H080D	CHIP C 8.0PF D	M1E1E2	C271			CK73GB1A105K	CHIP C 1.0UF K	
C143			CC73GCH1H080D	CHIP C 8.0PF D	R1X1	C272			CK73GB1H102K	CHIP C 1000PF K	
C144-146			CK73GB1A105K	CHIP C 1.0UF K		CN1			E41-2208-05	FLAT CABLE CONNECTOR	
C147			CK73GB1A474K	CHIP C 0.47UF K		CN200			E41-2608-05	FLAT CABLE CONNECTOR	
C148			CK73HB1E103K	CHIP C 0.010UF K		CN203			E41-2642-05	PIN ASSY	
C150			CK73HB1E103K	CHIP C 0.010UF K		CN204			E41-2088-05	FLAT CABLE CONNECTOR	
C201			CK73DF1E106Z	CHIP C 10UF Z		CN205			E41-2613-05	FLAT CABLE CONNECTOR	
C204			C92-1904-05	ELECTRO 22UF 16WV		L1-4			L41-1005-33	SMALL FIXED INDUCTOR (10U)	
C205			CK73GB1H103K	CHIP C 0.010UF K		L5			L41-6895-39	SMALL FIXED INDUCTOR (6.8U,LF)	
C206			CK73GB1H104K	CHIP C 0.10UF K		L6			L41-8281-15	SMALL FIXED INDUCTOR (0.82U)	
C207			CK73GB1H103K	CHIP C 0.010UF K		L100			L41-1005-33	SMALL FIXED INDUCTOR (10U)	
C208			CK73GB1H104K	CHIP C 0.10UF K		L102-104			L41-1005-33	SMALL FIXED INDUCTOR (10U)	
C209			C92-1945-05	ELECTRO 100UF 6.3WV		L201			L33-2299-05	CHOKE COIL (4.7UH)	
C210			CK73GB1H103K	CHIP C 0.010UF K		L203			L41-1005-33	SMALL FIXED INDUCTOR (10U)	
C212			CK73GB1H103K	CHIP C 0.010UF K		L205			L41-1005-33	SMALL FIXED INDUCTOR (10U)	
C213			C92-1904-05	ELECTRO 22UF 16WV		L206			L19-0788-05	TRANSFORMER FOR CONVERTER	
C214			CK73GB1H103K	CHIP C 0.010UF K		L207			L33-2248-05	CHOKE COIL (100UH)	
C217,218			CK73GB1H104K	CHIP C 0.10UF K		X100			L77-2906-05	CRYSTAL RESONATOR (4.433619MHZ)	M1E1E2
C219			CK73GB1A474K	CHIP C 0.47UF K		X100			L77-2906-05	CRYSTAL RESONATOR (4.433619MHZ)	R1X1
C220			CK73GB1H104K	CHIP C 0.10UF K		X101			L77-2905-05	CRYSTAL RESONATOR (3.579545MHZ)	
C221			CC73GCH1H270J	CHIP C 27PF J		R1			RK73HB1J000J	CHIP R 0.0 J 1/16W	
C222			CK73GB1E183K	CHIP C 0.018UF K		R3			RK73HB1J103J	CHIP R 10K J 1/16W	
C223			CK73GB0J225K	CHIP C 2.2UF K		R4,5			RK73HB1J000J	CHIP R 0.0 J 1/16W	
C224			CK73FB0J106K	CHIP C 10UF K							

K : DDX6019 (North America) E1 : DDX6029 E2 : DDX6029Y (Europe)
X1 : DDX6039 (Australia) R1 : DDX6039 (Latin America) M1 : DDX6039 (Other Areas)

△ Indicates safety critical components.

PARTS LIST

VIDEO UNIT (X35-467x-xx)

Ref. No.	A d	N e w	Parts No.	Description	Desti- nation	Ref. No.	A d	N e w	Parts No.	Description	Desti- nation
R7			RK73HB1J103J	CHIP R 10K J 1/16W		R87-89			RK73HB1J000J	CHIP R 0.0 J 1/16W	
R8-10			RK73HB1J000J	CHIP R 0.0 J 1/16W		R90-93			RK73HB1J102J	CHIP R 1.0K J 1/16W	
R12			RK73HB1J103J	CHIP R 10K J 1/16W		R95			RK73HB1J103J	CHIP R 10K J 1/16W	
R14			RK73HB1J103J	CHIP R 10K J 1/16W		R98			RK73HB1J221J	CHIP R 220 J 1/16W	
R16			RK73HB1J103J	CHIP R 10K J 1/16W		R100			RK73HB1J681J	CHIP R 680 J 1/16W	
R17			RK73HB1J101J	CHIP R 100 J 1/16W		R101,102			RK73HB1J303J	CHIP R 30K J 1/16W	
R18			RK73HB1J621J	CHIP R 620 J 1/16W		R103			RK73HB1J102J	CHIP R 1.0K J 1/16W	
R20			RK73HB1J103J	CHIP R 10K J 1/16W		R104			RN73GH1J473D	CHIP R 47K D 1/16W	
R21			RK73HB1J220J	CHIP R 22 J 1/16W		R105			RK73HB1J000J	CHIP R 0.0 J 1/16W	
R22			RK73HB1J221J	CHIP R 220 J 1/16W		R110			RK73HB1J103J	CHIP R 10K J 1/16W	
R23			RK73HB1J000J	CHIP R 0.0 J 1/16W		R111			RK73HB1J473J	CHIP R 47K J 1/16W	
R24			RK73HB1J561J	CHIP R 560 J 1/16W		R112			RK73HB1J103J	CHIP R 10K J 1/16W	
R25			RK73HB1J103J	CHIP R 10K J 1/16W		R113			RK73HB1J102J	CHIP R 1.0K J 1/16W	
R26			RK73HB1J102J	CHIP R 1.0K J 1/16W		R117			RK73HB1J271J	CHIP R 270 J 1/16W	
R27			RK73HB1J103J	CHIP R 10K J 1/16W		R118,119			RK73GH2A102D	CHIP R 1.0K D 1/10W	
R28,29			RK73HB1J000J	CHIP R 0.0 J 1/16W		R120			RN73GH1J183D	CHIP R 18K D 1/16W	
R30,31			RK73HB1J103J	CHIP R 10K J 1/16W		R121			RK73GH2A472D	CHIP R 4.7K D 1/10W	
R32			RK73HB1J100J	CHIP R 10 J 1/16W		R122			RK73HB1J101J	CHIP R 100 J 1/16W	
R33			RK73HB1J102J	CHIP R 1.0K J 1/16W		R124,125			RK73GH2A102D	CHIP R 1.0K D 1/10W	
R34			RK73HH1J472D	CHIP R 4.7K D 1/16W		R126			RK73HB1J101J	CHIP R 100 J 1/16W	
R35			RK73GH2A152D	CHIP R 1.5K D 1/10W		R127			RK73GB2A000J	CHIP R 0.0 J 1/10W	
R36			RK73HB1J100J	CHIP R 10 J 1/16W		R128			RK73GH2A512D	CHIP R 5.1K D 1/10W	
R37			RK73HB1J102J	CHIP R 1.0K J 1/16W		R129			RK73GH2A152D	CHIP R 1.5K D 1/10W	
R38,39			RK73HH1J472D	CHIP R 4.7K D 1/16W		R130			RK73HB1J101J	CHIP R 100 J 1/16W	
R40			RK73HB1J102J	CHIP R 1.0K J 1/16W		R132			RK73GH2A472D	CHIP R 4.7K D 1/10W	
R41			RK73HH1J473D	CHIP R 47K D 1/16W		R134			RN73GH1J222D	CHIP R 2.2K D 1/16W	
R42			RK73HB1J000J	CHIP R 0.0 J 1/16W		R137,138			RK73GH2A102D	CHIP R 1.0K D 1/10W	
R43			RK73HH1J683D	CHIP R 68K D 1/16W		R139			RK73HB1J561J	CHIP R 560 J 1/16W	
R44			RK73HB1J000J	CHIP R 0.0 J 1/16W		R143			RK73GH2A472D	CHIP R 4.7K D 1/10W	
R45			RK73HH1J153D	CHIP R 15K D 1/16W		R144			RK73HB1J105J	CHIP R 1.0M J 1/16W	
R46			RK73HH1J101D	CHIP R 100 D 1/16W		R145			RK73HB1J102J	CHIP R 1.0K J 1/16W	
R47			RK73HH1J331D	CHIP R 330 D 1/16W		R146			RK73GH2A103D	CHIP R 10K D 1/10W	
R48			RK73HH1J182D	CHIP R 1.8K D 1/16W		R147			RK73GH2A302D	CHIP R 3.0K D 1/10W	
R49			RK73HH1J332D	CHIP R 3.3K D 1/16W		R149			RK73HB1J105J	CHIP R 1.0M J 1/16W	
R51			RK73HB1J300J	CHIP R 30 J 1/16W		R150			RK73GH2A103D	CHIP R 10K D 1/10W	
R52-54			RK73HB1J101J	CHIP R 100 J 1/16W		R151			RK73GH2A302D	CHIP R 3.0K D 1/10W	
R55			RK73HH1J153D	CHIP R 15K D 1/16W		R152			RK73HB1J102J	CHIP R 1.0K J 1/16W	
R56-63			RK73HB1J101J	CHIP R 100 J 1/16W		R153			RK73GH2A103D	CHIP R 10K D 1/10W	
R64			RK73HH1J105D	CHIP R 1.0M D 1/16W		R154			RK73GH2A302D	CHIP R 3.0K D 1/10W	
R65			RK73HH1J683D	CHIP R 68K D 1/16W		R155			RN73GH1J681D	CHIP R 680 D 1/16W	M1E1E2
R66			RK73GH2A512D	CHIP R 5.1K D 1/10W		R155			RN73GH1J681D	CHIP R 680 D 1/16W	R1X1
R67			RK73HB1J242J	CHIP R 2.4K J 1/16W		R156			RN73GH1J222D	CHIP R 2.2K D 1/16W	
R68			RK73GH2A103D	CHIP R 10K D 1/10W		R157			RK73HB1J103J	CHIP R 10K J 1/16W	
R69			RK73GH2A752D	CHIP R 7.5K D 1/10W		R158			RK73HB1J822J	CHIP R 8.2K J 1/16W	
R70-72			RK73HB1J000J	CHIP R 0.0 J 1/16W		R159			RK73HB1J562J	CHIP R 5.6K J 1/16W	
R73,74			RK73HB1J101J	CHIP R 100 J 1/16W		R162-164			RK73HB1J000J	CHIP R 0.0 J 1/16W	
R75			RK73HB1J000J	CHIP R 0.0 J 1/16W		R166			RK73HB1J103J	CHIP R 10K J 1/16W	
R76			RK73HB1J101J	CHIP R 100 J 1/16W		R169			RK73HB1J103J	CHIP R 10K J 1/16W	
R78			RK73HB1J103J	CHIP R 10K J 1/16W		R172			RK73HB1J000J	CHIP R 0.0 J 1/16W	
R79			RK73HB1J101J	CHIP R 100 J 1/16W		R173			RK73HB1J820J	CHIP R 82 J 1/16W	
R80,81			RK73HB1J153J	CHIP R 15K J 1/16W		R175			RK73HB1J101J	CHIP R 100 J 1/16W	
R82,83			RK73HB1J561J	CHIP R 560 J 1/16W		R176,177			RK73HB1J000J	CHIP R 0.0 J 1/16W	
R84			RK73HB1J000J	CHIP R 0.0 J 1/16W		R178			RK73HB1J102J	CHIP R 1.0K J 1/16W	
R85			RK73HB1J472J	CHIP R 4.7K J 1/16W		R179			RK73HB1J000J	CHIP R 0.0 J 1/16W	
R86			RK73HB1J561J	CHIP R 560 J 1/16W		R183			RK73HB1J101J	CHIP R 100 J 1/16W	

K : DDX6019 (North America) E1 : DDX6029 E2 : DDX6029Y (Europe)
X1 : DDX6039 (Australia) R1 : DDX6039 (Latin America) M1 : DDX6039 (Other Areas)

△ Indicates safety critical components.

PARTS LIST

VIDEO UNIT (X35-467x-xx)

Ref. No.	Add	New	Parts No.	Description	Destination	Ref. No.	Add	New	Parts No.	Description	Destination
R184			RK73HB1J000J	CHIP R 0.0 J 1/16W		R309			RN73GH1J244D	CHIP R 240K D 1/16W	
R185			RK73HB1J101J	CHIP R 100 J 1/16W		VR3			R32-0328-05	SEMI FIXED VARIABLE RESISTOR	
R186			RK73HB1J000J	CHIP R 0.0 J 1/16W		VR100			R32-0328-05	SEMI FIXED VARIABLE RESISTOR	
R201			RK73GB2A000J	CHIP R 0.0 J 1/10W							
R202			RK73EB2E101J	CHIP R 100 J 1/4W		D2			MA2X335	VARIABLE CAPACITANCE DIODE	
R203-208			RK73EB2E220J	CHIP R 22 J 1/4W		D4			DA204U	DIODE	
R210			RK73GB2A000J	CHIP R 0.0 J 1/10W		D200-202			AVRM1608120M6A	VARISTOR	
R211			RK73EB2E331J	CHIP R 330 J 1/4W		D204			AVRM1608120M6A	VARISTOR	
R213			RK73HB1J222J	CHIP R 2.2K J 1/16W		D206			AVRM1608120M6A	VARISTOR	
R214			RK73HB1J153J	CHIP R 15K J 1/16W		D210,211			AVRM1608120M6A	VARISTOR	
R215			RK73HB1J220J	CHIP R 22 J 1/16W		D213			UDZS5.6B	ZENER DIODE	
R217			RN73GH1J433D	CHIP R 43K D 1/16W		D214			EP05Q04	DIODE	
R218			RK73GB2A515J	CHIP R 5.1M J 1/10W		D215			AVRM1608120M6A	VARISTOR	
R219			RK73GB2A104J	CHIP R 100K J 1/10W		D216			EC10QS04AG	DIODE	
R220			RK73GB2A000J	CHIP R 0.0 J 1/10W		D217			EP05Q04	DIODE	
R221-223			RK73EB2E000J	CHIP R 0.0 J 1/4W		D221			1SS355	DIODE	
R224			RK73GB2A220J	CHIP R 22 J 1/10W		D227			UDZS4.7B	ZENER DIODE	
R225			RN73GH1J513D	CHIP R 51K D 1/16W		D228			MA2S784-F	DIODE	
R226			RK73EB2E000J	CHIP R 0.0 J 1/4W		D229			UDZS4.7B	ZENER DIODE	
R227			RK73GB2A682J	CHIP R 6.8K J 1/10W		D230-233			UDZS5.1B	ZENER DIODE	
R228			RK73GH2A203D	CHIP R 20K D 1/10W		D234			DA204U	DIODE	
R229			RK73HB1J104J	CHIP R 100K J 1/16W		D235			AVRM1608120M6A	VARISTOR	
R230			RK73GB2A100J	CHIP R 10 J 1/10W		D236			DA204U	DIODE	
R231			RK73GH2A184D	CHIP R 180K D 1/10W		D237-239			AVRM1608120M6A	VARISTOR	
R232			RN73GH1J184D	CHIP R 180K D 1/16W		D240,241			EP05Q04	DIODE	
R233			RK73GH2A184D	CHIP R 180K D 1/10W		D244			AVRM1608120M6A	VARISTOR	
R234			RK73HB1J105J	CHIP R 1.0M J 1/16W		IC1			TC7SH08FU-F	MOS-IC	
R235			RK73GH2A133D	CHIP R 13K D 1/10W		IC2			TC7SH04FU-F	MOS-IC	
R236			RK73GB2A100J	CHIP R 10 J 1/10W		IC3			TC200G02G0104	MOS-IC	
R237			RK73GH2A184D	CHIP R 180K D 1/10W		IC4			NJM2107F-ZB	ANALOGUE IC	
R238,239			RK73HB1J101J	CHIP R 100 J 1/16W		IC5			TC7WH74FU-F	MOS-IC	
R240			RK73GB2A512J	CHIP R 5.1K J 1/10W		IC6			TC7WH126FU-F	MOS-IC	
R241			RN73GH1J623D	CHIP R 62K D 1/16W		IC7			TC7SH00FU-F	MOS-IC	
R242			RK73GB2A512J	CHIP R 5.1K J 1/10W		IC8			TC7S02FU-F	MOS-IC	
R243,244			RK73EB2E000J	CHIP R 0.0 J 1/4W		IC9			TC74LCX74FT	MOS-IC	
R245			RK73HB1J333J	CHIP R 33K J 1/16W		IC11			TC7SH04FU-F	MOS-IC	
R246-249			RK73GB2A220J	CHIP R 22 J 1/10W		IC12			TC7W08FU-F	MOS-IC	
R250			RK73HB1J333J	CHIP R 33K J 1/16W		IC13			TC7W32FU-F	MOS-IC	
R251-254			RK73EB2E100J	CHIP R 10 J 1/4W		IC14			TC7W04FU-F	MOS-IC	
R255			RN73GH1J4530D	CHIP R 453.0 D 1/16W		IC100			TC7WH123FU-F	MOS-IC	
R256			RK73GH2A203D	CHIP R 20K D 1/10W		IC101			TC7SET32FU-F	MOS-IC	
R270			RK73GB2A105J	CHIP R 1.0M J 1/10W		IC102			TC7SH04FU-F	MOS-IC	
R273			RK73HB1J000J	CHIP R 0.0 J 1/16W		IC103			RB5P0090M	ANALOGUE IC	
R274			RK73GH2A123D	CHIP R 12K D 1/10W		IC104			TC7SET32FU-F	MOS-IC	
R276			RK73GB2A100J	CHIP R 10 J 1/10W		IC106			TC7SET04FU-F	MOS-IC	
R278,279			RK73GB2A181J	CHIP R 180 J 1/10W		IC200			XC6201P502PR	ANALOGUE IC	
R280			RK73FB2B621J	CHIP R 620 J 1/8W		IC201			XC6201P332PR	ANALOGUE IC	
R281			RK73GB2A432J	CHIP R 4.3K J 1/10W		IC202			MP1530DM-LF-Z	ANALOGUE IC	
R282			RK73GB2A912J	CHIP R 9.1K J 1/10W		IC204			OZ964ISN-C	ANALOGUE IC	
R283			RK73GB2A303J	CHIP R 30K J 1/10W		IC205			BR24L08FV-W	ROM IC	
R286			RK73GB2A181J	CHIP R 180 J 1/10W		IC207			NJM78M05DL1AZB	ANALOGUE IC	
R289			RK73GH2A243D	CHIP R 24K D 1/10W		Q1			2SC4097	TRANSISTOR	
R297,298			RK73GB2A682J	CHIP R 6.8K J 1/10W		Q2			DTC124EUA	DIGITAL TRANSISTOR	
R299-303			RK73EB2E000J	CHIP R 0.0 J 1/4W		Q3,4			2SC4081	TRANSISTOR	
R305			RK73GB2A000J	CHIP R 0.0 J 1/10W		Q5			2SA1576A	TRANSISTOR	

K : DDX6019 (North America) E1 : DDX6029 E2 : DDX6029Y (Europe)
X1 : DDX6039 (Australia) R1 : DDX6039 (Latin America) M1 : DDX6039 (Other Areas)

△ Indicates safety critical components.

PARTS LIST

VIDEO UNIT (X35-467x-xx)

Ref. No.	A d d	N e w	Parts No.	Description	Desti- nation
Q6			2SC4081	TRANSISTOR	
Q100			2SC4081	TRANSISTOR	
Q102			DTC143ZUA	DIGITAL TRANSISTOR	
Q103-106			UMZ1N	TRANSISTOR	
Q107			DTC143ZUA	DIGITAL TRANSISTOR	M1E1E2
Q107			DTC143ZUA	DIGITAL TRANSISTOR	R1X1
Q208			2SC4081	TRANSISTOR	
Q210			2SC4081	TRANSISTOR	
Q215,216			SI5504DC-E3	DUAL FET	
Q217			DTA123JUA	DIGITAL TRANSISTOR	
Q218			DTC123JUA	DIGITAL TRANSISTOR	
Q219			DTA123JUA	DIGITAL TRANSISTOR	
Q220			DTC123JUA	DIGITAL TRANSISTOR	
Q221			DTC124EUA	DIGITAL TRANSISTOR	

DVD UNIT (X37-1150-00)

C1-3			CK73HB1A104K	CHIP C	0.10UF	K
C4,5			CK73HB0J105K	CHIP C	1.0UF	K
C6			CK73GB0J475K	CHIP C	4.7UF	K
C7			CK73FB0J106K	CHIP C	10UF	K
C8			CK73FB0J226M	CHIP C	22UF	M
C10			CK73HB1A104K	CHIP C	0.10UF	K
C14			CK73FB0J106K	CHIP C	10UF	K
C15			CK73HB0J105K	CHIP C	1.0UF	K
C16			CK73HB1A104K	CHIP C	0.10UF	K
C17			CK73HB0J105K	CHIP C	1.0UF	K
C18			CK73HB1H332K	CHIP C	3300PF	K
C19			CK73HB1A104K	CHIP C	0.10UF	K
C20			CK73FB0J106K	CHIP C	10UF	K
C21			CK73FB0J226M	CHIP C	22UF	M
C23			CK73HB1A104K	CHIP C	0.10UF	K
C24			CC73GCH1H471J	CHIP C	470PF	J
C25			CK73HB1A104K	CHIP C	0.10UF	K
C26			CK73HB1C473K	CHIP C	0.047UF	K
C27			CK73HB1A104K	CHIP C	0.10UF	K
C28			CK73HB1E103K	CHIP C	0.010UF	K
C29			CK73HB0J105K	CHIP C	1.0UF	K
C31			CK73HB1E223K	CHIP C	0.022UF	K
C32			CC73HCH1H470J	CHIP C	47PF	J
C33			CC73GCH1H102J	CHIP C	1000PF	J
C35			CC73GCH1H102J	CHIP C	1000PF	J
C36			CC73GCH1H681J	CHIP C	680PF	J
C37			CK73HB1H682K	CHIP C	6800PF	K
C38			CK73HB0J105K	CHIP C	1.0UF	K
C39			CC73GCH1H331J	CHIP C	330PF	J
C40			CC73GCH1H102J	CHIP C	1000PF	J
C41			CK73HB0J105K	CHIP C	1.0UF	K
C42			CC73GCH1H681J	CHIP C	680PF	J
C43			CK73HB1H222K	CHIP C	2200PF	K
C44			CK73HB1H152K	CHIP C	1500PF	K
C45			CK73HB1H102K	CHIP C	1000PF	K
C46			CK73HB1A104K	CHIP C	0.10UF	K
C47-52			CK73HB0J105K	CHIP C	1.0UF	K
C53			CK73HB1A104K	CHIP C	0.10UF	K
C54,55			CK73HB0J105K	CHIP C	1.0UF	K
C56			C93-1228-05	CHIP C	1.0UF	M

Ref. No.	A d d	N e w	Parts No.	Description	Desti- nation
C57,58			CK73HB0J105K	CHIP C	1.0UF K
C60			CK73HB1A104K	CHIP C	0.10UF K
C61			C93-1228-05	CHIP C	1.0UF M
C62,63			CC73HCH1H120J	CHIP C	12PF J
C64			CK73HB1E103K	CHIP C	0.010UF K
C66			CK73FB0J106K	CHIP C	10UF K
C67			C93-1228-05	CHIP C	1.0UF M
C68,69			CK73HB0J105K	CHIP C	1.0UF K
C70			CK73HB1A104K	CHIP C	0.10UF K
C72,73			CK73HB1A104K	CHIP C	0.10UF K
C76			CK73HB1A104K	CHIP C	0.10UF K
C80			CK73FB0J106K	CHIP C	10UF K
C81			CK73FB0J226M	CHIP C	22UF M
C82			CK73HB1A104K	CHIP C	0.10UF K
C83,84			C92-1908-05	ELECTRO	47UF 6.3WV
C85,86			CK73HB1H102K	CHIP C	1000PF K
C87-90			CK73HB1E103K	CHIP C	0.010UF K
C91			CK73HB1E223K	CHIP C	0.022UF K
C92,93			CK73HB1E103K	CHIP C	0.010UF K
C94			CK73GB0J475K	CHIP C	4.7UF K
C95			CK73FB0J106K	CHIP C	10UF K
C96			CK73FB0J226M	CHIP C	22UF M
C97			CK73HB1E103K	CHIP C	0.010UF K
C98			CK73GB0J475K	CHIP C	4.7UF K
C99			CK73FB0J226M	CHIP C	22UF M
C101			CK73FB0J226M	CHIP C	22UF M
C102			C92-1908-05	ELECTRO	47UF 6.3WV
C104			CC73HCH1H100D	CHIP C	10PF D
C105-108			CC73HCH1H151J	CHIP C	150PF J
C109			CK73HB1H102K	CHIP C	1000PF K
C308			CK73HB1E103K	CHIP C	0.010UF K
C309			CK73HB1A104K	CHIP C	0.10UF K
C312,313			CK73HB1A104K	CHIP C	0.10UF K
C315,316			CK73HB0J105K	CHIP C	1.0UF K
C319-323			CK73HB0J105K	CHIP C	1.0UF K
C325-342			CK73HB0J105K	CHIP C	1.0UF K
C344			CK73HB0J105K	CHIP C	1.0UF K
C347			CC73HCH1H120J	CHIP C	12PF J
C348			CC73HCH1H060D	CHIP C	6.0PF D
C353			CK73GB1A105K	CHIP C	1.0UF K
C361			CK73HB1A104K	CHIP C	0.10UF K
C362			CC73GCH1E392J	CHIP C	3900PF J
C363			CK73HB1A104K	CHIP C	0.10UF K
C364			CC73GCH1E392J	CHIP C	3900PF J
C365-367			CC73GCH1H681J	CHIP C	680PF J
C370			CC73GCH1H681J	CHIP C	680PF J
C384			CK73HB1A104K	CHIP C	0.10UF K
C385			CK73FB0J226M	CHIP C	22UF M
C386			CK73FB0J106K	CHIP C	10UF K
C388			CK73FB0J226M	CHIP C	22UF M
C389			CK73FB0J106K	CHIP C	10UF K
C390			CK73HB1E103K	CHIP C	0.010UF K
C391			CK73HB0J105K	CHIP C	1.0UF K
C392			CK73FB0J226M	CHIP C	22UF M
C394			CK73FB0J226M	CHIP C	22UF M

K : DDX6019 (North America) E1 : DDX6029 E2 : DDX6029Y (Europe)
 X1 : DDX6039 (Australia) R1 : DDX6039 (Latin America) M1 : DDX6039 (Other Areas)

△ Indicates safety critical components.

PARTS LIST

DVD UNIT (X37-1150-00)

Ref. No.	Add	New	Parts No.	Description	Destination	Ref. No.	Add	New	Parts No.	Description	Destination
C396			CK73HB1A104K	CHIP C 0.10UF K		R16			RK73GH2A273D	CHIP R 27K D 1/10W	
C397			CK73FB0J226M	CHIP C 22UF M		R18			RK73HB1J125J	CHIP R 1.2M J 1/16W	
C398-404			CK73HB0J105K	CHIP C 1.0UF K		R21			RK73GH2A153D	CHIP R 15K D 1/10W	
C405			CK73FB0J226M	CHIP C 22UF M		R22			RK73HB1J105J	CHIP R 1.0M J 1/16W	
C408			CK73FB0J226M	CHIP C 22UF M		R23			RK73HB1J472J	CHIP R 4.7K J 1/16W	
C411			CK73GB0J475K	CHIP C 4.7UF K		R24			RK73GH2A123D	CHIP R 12K D 1/10W	
C412			CK73HB1H102K	CHIP C 1000PF K		R25-27			RK73HB1J103J	CHIP R 10K J 1/16W	
C413			CK73GB0J475K	CHIP C 4.7UF K		R28,29			RK73HB1J102J	CHIP R 1.0K J 1/16W	
C415			CK73HB1H102K	CHIP C 1000PF K		R30-32			RK73HB1J132J	CHIP R 1.3K J 1/16W	
C416			CK73FB0J226M	CHIP C 22UF M		R33			RK73HB1J103J	CHIP R 10K J 1/16W	
C417			CK73HB1H102K	CHIP C 1000PF K		R34,35			RK73HB1J472J	CHIP R 4.7K J 1/16W	
C418			CK73HB1A104K	CHIP C 0.10UF K		R36			RK73HB1J102J	CHIP R 1.0K J 1/16W	
C419			CK73HB0J105K	CHIP C 1.0UF K		R37			RK73HB1J132J	CHIP R 1.3K J 1/16W	
C420-422			CK73HB1A104K	CHIP C 0.10UF K		R38,39			RK73HB1J102J	CHIP R 1.0K J 1/16W	
C423			CK73GB0J475K	CHIP C 4.7UF K		R40,41			RK73HB1J473J	CHIP R 47K J 1/16W	
C425			CK73FB0J226M	CHIP C 22UF M		R45			RK73HB1J105J	CHIP R 1.0M J 1/16W	
C426,427			CC73GCH1H101J	CHIP C 100PF J		R46			RK73HB1J152J	CHIP R 1.5K J 1/16W	
C428-433			CK73HB1A104K	CHIP C 0.10UF K		R47			RK73HB1J472J	CHIP R 4.7K J 1/16W	
C434,435			CK73HB1E223K	CHIP C 0.022UF K		R49			RK73HB1J273J	CHIP R 27K J 1/16W	
C436			CK73HB1A104K	CHIP C 0.10UF K		R51			RK73HB1J102J	CHIP R 1.0K J 1/16W	
C440			CK73HB0J105K	CHIP C 1.0UF K		R52			RK73HB1J132J	CHIP R 1.3K J 1/16W	
C442			CK73HB1A104K	CHIP C 0.10UF K		R53			RK73HB1J103J	CHIP R 10K J 1/16W	
C501			CK73HB1H102K	CHIP C 1000PF K		R55			RK73HB1J202J	CHIP R 2.0K J 1/16W	
CN2			E41-2595-05	FLAT CABLE CONNECTOR		R58			RK73GH2A273D	CHIP R 27K D 1/10W	
CN3			E41-2622-05	FLAT CABLE CONNECTOR		R61			RK73GB2A121J	CHIP R 120 J 1/10W	
CN5			E41-2625-05	FLAT CABLE CONNECTOR		R62			R92-3475-05	CHIP R 0.27 F 1/2W	
CN6			E41-2050-05	SOCKET FOR PIN ASSY		R63			RK73GB2A241J	CHIP R 240 J 1/10W	
CN9			E41-2603-05	FLAT CABLE CONNECTOR		R64			RK73HB1J222J	CHIP R 2.2K J 1/16W	
CN10			E41-2624-05	FLAT CABLE CONNECTOR		R65,66			RK73HB1J103J	CHIP R 10K J 1/16W	
CN11			E41-2594-05	FLAT CABLE CONNECTOR		R67			RK73HB1J472J	CHIP R 4.7K J 1/16W	
L1-5			L92-0365-05	CHIP FERRITE		R68,69			RK73HB1J102J	CHIP R 1.0K J 1/16W	
L301			L92-0365-05	CHIP FERRITE		R70,71			RK73GH2A123D	CHIP R 12K D 1/10W	
X1			L77-2870-05	CRYSTAL RESONATOR (16.897849M)		R72			RK73GH2A333D	CHIP R 33K D 1/10W	
X4			L77-2886-05	CRYSTAL RESONATOR (27.00MHZ)		R73			RK73GH2A203D	CHIP R 20K D 1/10W	
						R74			RK73HB1J123J	CHIP R 12K J 1/16W	
CP1-4			RK74HB1J103J	CHIP-COM 10K J 1/16W		R75			RK73HB1J152J	CHIP R 1.5K J 1/16W	
CP5-9			RK74HB1J330J	CHIP-COM 33 J 1/16W		R76			RK73HB1J122J	CHIP R 1.2K J 1/16W	
CP10			RK74HB1J820J	CHIP-COM 82 J 1/16W		R77			RK73HB1J511J	CHIP R 510 J 1/16W	
CP302-310			RK74HB1J220J	CHIP-COM 22 J 1/16W		R78			RK73HB1J472J	CHIP R 4.7K J 1/16W	
CP312-318			RK74HB1J220J	CHIP-COM 22 J 1/16W		R79			R92-5031-05	CHIP R 5.1 F 1/8W	
CP319,320			RK74HB1J470J	CHIP-COM 47 J 1/16W		R80			RK73GB2A3R6J	CHIP R 3.6 J 1/10W	
CP322,323			RK74HB1J472J	CHIP-COM 4.7K J 1/16W		R81			RK73HB1J134J	CHIP R 130K J 1/16W	
CP324			RK74HB1J101J	CHIP-COM 100 J 1/16W		R82			RK73HB1J103J	CHIP R 10K J 1/16W	
CP326-331			RK74HB1J472J	CHIP-COM 4.7K J 1/16W		R83			RK73HB1J820J	CHIP R 82 J 1/16W	
CP336			RK74HB1J472J	CHIP-COM 4.7K J 1/16W		R84			RK73HB1J103J	CHIP R 10K J 1/16W	
CP337			RK74HB1J102J	CHIP-COM 1.0K J 1/16W		R85			RK73HB1J330J	CHIP R 33 J 1/16W	
CP338-342			RK74HB1J472J	CHIP-COM 4.7K J 1/16W		R86-88			RK73HB1J820J	CHIP R 82 J 1/16W	
R1			RK73GH2A101D	CHIP R 100 D 1/10W		R91			RK73GH2A101D	CHIP R 100 D 1/10W	
R2,3			RK73HB1J104J	CHIP R 100K J 1/16W		R92			RK73HB1J104J	CHIP R 100K J 1/16W	
R5-7			RK73HB1J103J	CHIP R 10K J 1/16W		R93			RK73HB1J222J	CHIP R 2.2K J 1/16W	
R8			RK73HB1J104J	CHIP R 100K J 1/16W		R95			R92-5031-05	CHIP R 5.1 F 1/8W	
R10			RK73HB1J103J	CHIP R 10K J 1/16W		R96,97			RK73HB1J102J	CHIP R 1.0K J 1/16W	
R11			RK73HB1J225J	CHIP R 2.2M J 1/16W		R100,101			RK73HB1J510J	CHIP R 51 J 1/16W	
R12			RK73HB1J103J	CHIP R 10K J 1/16W		R102,103			RK73HB1J202J	CHIP R 2.0K J 1/16W	
R15			RK73GH2A113D	CHIP R 11K D 1/10W		R104			RK73HB1J103J	CHIP R 10K J 1/16W	

K : DDX6019 (North America) E1 : DDX6029 E2 : DDX6029Y (Europe)
X1 : DDX6039 (Australia) R1 : DDX6039 (Latin America) M1 : DDX6039 (Other Areas)

△ Indicates safety critical components.

PARTS LIST

DVD UNIT (X37-1150-00)

Ref. No.	A d d	N e w	Parts No.	Description	Desti- nation
R105			RK73HB1J132J	CHIP R 1.3K J 1/16W	
R106,107			RK73HB1J103J	CHIP R 10K J 1/16W	
R108			RK73HB1J223J	CHIP R 22K J 1/16W	
R109			RK73HB1J123J	CHIP R 12K J 1/16W	
R115			RK73GH2A132D	CHIP R 1.3K D 1/10W	
R116,117			RK73HB1J1R0J	CHIP R 1.0 J 1/16W	
R201-204			RK73GB2A000J	CHIP R 0.0 J 1/10W	
R205-207			RK73HB1J000J	CHIP R 0.0 J 1/16W	
R302			RK73GH2A151D	CHIP R 150 D 1/10W	
R307			RK73HH1J202D	CHIP R 2.0K D 1/16W	
R312			RK73HB1J220J	CHIP R 22 J 1/16W	
R313-316			RK73HB1J472J	CHIP R 4.7K J 1/16W	
R332			RK73HB1J472J	CHIP R 4.7K J 1/16W	
R333			RK73HB1J681J	CHIP R 680 J 1/16W	
R335			RK73HB1J220J	CHIP R 22 J 1/16W	
R338			RK73HB1J103J	CHIP R 10K J 1/16W	
R340			RK73HB1J472J	CHIP R 4.7K J 1/16W	
R342,343			RK73HB1J103J	CHIP R 10K J 1/16W	
R347-350			RK73GH2A752D	CHIP R 7.5K D 1/10W	
R351,352			RK73GH2A472D	CHIP R 4.7K D 1/10W	
R353-356			RK73GB2A241J	CHIP R 240 J 1/10W	
R357,358			RK73GH2A472D	CHIP R 4.7K D 1/10W	
R362,363			RK73HB1J121J	CHIP R 120 J 1/16W	
R386			RK73HB1J101J	CHIP R 100 J 1/16W	
R387			RK73HB1J220J	CHIP R 22 J 1/16W	
R388			RK73HB1J472J	CHIP R 4.7K J 1/16W	
R393			RK73HB1J472J	CHIP R 4.7K J 1/16W	
R394,395			RK73HB1J220J	CHIP R 22 J 1/16W	
R396-398			RK73HB1J472J	CHIP R 4.7K J 1/16W	
R399-405			RK73HB1J103J	CHIP R 10K J 1/16W	
R406,407			RK73GH2A750D	CHIP R 75 D 1/10W	
R410			RK73GH2A123D	CHIP R 12K D 1/10W	
R412			RK73GH2A392D	CHIP R 3.9K D 1/10W	
R414-416			RK73HB1J102J	CHIP R 1.0K J 1/16W	
R417			RK73HB1J101J	CHIP R 100 J 1/16W	
R418			RK73HB1J103J	CHIP R 10K J 1/16W	
R419,420			RK73HB1J472J	CHIP R 4.7K J 1/16W	
R421			RK73HB1J103J	CHIP R 10K J 1/16W	
R422			RK73HB1J1R0J	CHIP R 1.0 J 1/16W	
R423			RK73HB1J103J	CHIP R 10K J 1/16W	
R424-427			RK73HB1J472J	CHIP R 4.7K J 1/16W	
R428,429			RK73HB1J220J	CHIP R 22 J 1/16W	
R432,433			RK73HB1J472J	CHIP R 4.7K J 1/16W	
R435			RK73HB1J2R2J	CHIP R 2.2 J 1/16W	
R436			RK73HB1J470J	CHIP R 47 J 1/16W	
R438			RK73HB1J1R0J	CHIP R 1.0 J 1/16W	
R439			RK73HB1J102J	CHIP R 1.0K J 1/16W	
R440			RK73GH2A391D	CHIP R 390 D 1/10W	
R441			RK73HB1J105J	CHIP R 1.0M J 1/16W	
R442			RK73HB1J220J	CHIP R 22 J 1/16W	
R443			RK73HB1J101J	CHIP R 100 J 1/16W	
R444			RK73HB1J472J	CHIP R 4.7K J 1/16W	
R445			RK73HB1J223J	CHIP R 22K J 1/16W	
R446,447			RK73HB1J472J	CHIP R 4.7K J 1/16W	
R448,449			RK73HB1J123J	CHIP R 12K J 1/16W	

Ref. No.	A d d	N e w	Parts No.	Description	Desti- nation
R454			RK73HB1J431J	CHIP R 430 J 1/16W	
R457			RK73GH2A111D	CHIP R 110 D 1/10W	
R459,460			R92-3350-05	CHIP R 2.2 F 1/10W	
S3			S68-0822-05	PUSH SWITCH	
S4			S68-0895-05	PUSH SWITCH	
S5			S68-0822-05	PUSH SWITCH	
D1,2			MAZS0510M	ZENER DIODE	
D3,4			1SS402-F	DIODE	
D5,6			DAP202U	DIODE	
D8			1SS402-F	DIODE	
D10			MA2S111	DIODE	
D73			MAZS0510M	ZENER DIODE	
IC1			AN22022A-V	ANALOGUE IC	
IC2			AN41204A	ANALOGUE IC	
IC3			M29W400DB55N6E	ROM IC	
IC4			MN103S71F	MOS-IC	
IC5			S-80829CNPF	ANALOGUE IC	
IC8			S-80813CNPF	ANALOGUE IC	
IC9			NJM2880U115	ANALOGUE IC	
IC10			NJM2886DL2-33	ANALOGUE IC	
IC11			S-24CS04AFT	ROM IC	
IC12			AK4382AVT	ANALOGUE IC	
IC30			ES6218SAF-K	MOS-IC	
IC40			TAR5S50-F	ANALOGUE IC	
IC41			NJM4580V-ZB	ANALOGUE IC	
IC42			74CBT16210DGGR	MOS-IC	
IC46			NJM2871AF04	ANALOGUE IC	
IC47			NJM2575	ANALOGUE IC	
IC48			74CBT3245APWR	MOS-IC	
IC50		*	W16ET70NE78V4	ROM IC	
IC51			MT48LC8M16P75I	DRAM IC	
IC52			S-1170B20UC	ANALOGUE IC	
IC53			NJM2130F3	ANALOGUE IC	
IC54			S-1170B33UC	ANALOGUE IC	
IC56			HD74LV1GT00AVS	MOS-IC	
IC57-60			HD74LV2G74AU-E	MOS-IC	
IC61,62			HD74LV1G32AVSE	MOS-IC	
IC65			NJU7042	ANALOGUE IC	
Q1,2			2SK3018	FET	
Q7,8			2SB0970	TRANSISTOR	
Q9,10			2SJ0536	FET	
Q11-14			DTA114YUA	DIGITAL TRANSISTOR	
Q16			2SK210-F(Y)	FET	
Q17			SSM3J13T-F	FET	
Q18			2SB0970	TRANSISTOR	
Q19,20			DTC114EUA	DIGITAL TRANSISTOR	
Q21			2SJ0536	FET	
Q22			DTA114YUA	DIGITAL TRANSISTOR	
DAUGHTER UNIT (X89-2882-71)					
D1			B30-1566-05	LED (1608,RED)	
D2-7			B30-1731-05	LED (1608,BLUE)	
D9			B30-1731-05	LED (1608,BLUE)	
C9,10			CK73GB1A105K	CHIP C 1.0UF K	

K : DDX6019 (North America) E1 : DDX6029 E2 : DDX6029Y (Europe)
X1 : DDX6039 (Australia) R1 : DDX6039 (Latin America) M1 : DDX6039 (Other Areas)

△ Indicates safety critical components.

PARTS LIST

DAUGHTER UNIT (X89-2882-71)

Ref. No.	A d d	N e w	Parts No.	Description	Desti- nation	Ref. No.	A d d	N e w	Parts No.	Description	Desti- nation
S1-8			S70-0919-05	TACT SWITCH		58	2B		J11-0654-13	CLAMPER	
D8			AVRM1608120M6A	VARISTOR		59	1A		J22-0042-12	MOUNTING HARDWARE	
D10-17			AVRM1608120M6A	VARISTOR		60	1B		J22-0043-12	MOUNTING HARDWARE	
IC1		*	GP1US301XP	ANALOGUE IC		61	3B		J22-0044-03	MOUNTING HARDWARE	
						62	1A		J22-0103-23	MOUNTING HARDWARE ASSY	
DVD MECHANISM ASSY (X92-5430-00) (DVS-7600V)											
1	1B		A10-5084-31	CHASSIS		63	2B		J22-0177-14	MOUNTING HARDWARE	
2	2B		A10-5083-21	CHASSIS ASSY		64	1A		J90-1066-41	GUIDE	
3	3A		A11-1650-01	SUB CHASSIS		65	1B		J90-1067-13	GUIDE	
4	1B		D10-4763-32	ARM		66	1B		J90-1087-32	GUIDE	
5	1B		D10-4764-23	ARM		67	1B		J90-1088-32	GUIDE	
7	2B		D10-4768-12	SLIDER		A	2A		N09-6143-05	MACHINE SCREW	
8	2B		D10-4769-03	SLIDER		B	1A		N09-6144-05	MACHINE SCREW	
9	2A		D10-4771-02	SLIDER		C	3B		N09-6145-05	MACHINE SCREW	
10	2A		D10-4772-03	SLIDER		D	3B		N09-6156-05	MACHINE SCREW (M1.4X1.6)	
11	2A		D10-4773-13	SLIDER		E	1B		N09-6230-05	MACHINE SCREW	
12	2B		D10-4774-03	LEVER		F	1A		N19-2192-04	FLAT WASHER	
13	2B		D10-4776-23	ARM		G	3B		N09-6133-05	MACHINE SCREW (SERRATED)	
14	3A		D10-4795-23	ARM		H	3A		N09-6134-05	STEPPED SCREW (STEPPED)	
21	2B		D13-2298-04	GEAR		J	3A		N09-6203-05	MACHINE SCREW	
22	2B		D13-2299-04	GEAR		K	3A		N09-6221-15	MACHINE SCREW (P TITE 1.4x3.5)	
23	2B		D13-2303-04	GEAR		L	2A		N09-6308-05	MACHINE SCREW (P TITE 1.4x4.5)	
24	2B		D13-2305-04	GEAR		M	2A		N19-2183-14	FLAT WASHER	
25	2B		D13-2306-04	GEAR		VM1	2A		T42-1329-05	MOTOR ASSY	
26	1A		D13-2308-04	GEAR		VM2	3A		T42-1330-05	MOTOR ASSY	
27	1A		D13-2309-04	GEAR		71	2A		X94-2010-01	ROLLER ASSY	
28	3B		D13-2316-24	GEAR ASSY		VM3	2B		X94-2000-01	NOTOR ASSY (LO)	
29	2B		D13-2300-14	GEAR		VPU1	3B		X94-2030-00	OPTICAL PICKUP ASSY	
30	2A		D14-0799-14	ROLLER							
31	2A		D14-1006-04	ROLLER							
34	3B		D21-2476-14	SHAFT							
36	1B		D39-0259-05	DAMPER							
37	2B		E39-0556-05	LEAD WIRE							
VFC1	2A		E39-0806-05	FLAT CABLE							
38	3A		F07-1134-12	COVER							
39	3A		F09-1930-14	SHEET							
40	3A		F09-1960-04	SHEET							
41	3B		F09-2806-04	SHEET							
44	3A		F09-1870-04	SHEET							
43	3B		G02-1541-04	FLAT SPRING							
45	2B		G01-3192-04	EXTENSION SPRING							
46	2A		G01-3194-24	EXTENSION SPRING							
47	1B		G01-3195-14	EXTENSION SPRING							
48	2A		G01-3206-24	TORSION COIL SPRING							
49	2A		G01-3207-24	TORSION COIL SPRING							
50	3A		G01-3209-04	COMPRESSION SPRING							
51	3A		G02-1468-04	FLAT SPRING							
52	2B		G02-1504-43	FLAT SPRING ASSY							
53	1B		G02-1466-24	FLAT SPRING							
54	3B		G02-1488-04	FLAT SPRING							
55	3A		G02-1473-14	FLAT SPRING							
56	1B		G11-3614-04	CUSHION (PORON)							
57	3B		G11-3622-04	CUSHION (PORON)							

K : DDX6019 (North America) E1 : DDX6029 E2 : DDX6029Y (Europe)
X1 : DDX6039 (Australia) R1 : DDX6039 (Latin America) M1 : DDX6039 (Other Areas)

△ Indicates safety critical components.

SPECIFICATIONS

Monitor Section

Picture size	6.95 inches (diagonal) wide
Display system	Transparent TN LCD panel
Drive system	TFT active matrix system
Number of pixels	336,960 (480H x 234V x RGB)
Effective pixels	99.99%
Pixel arrangement	RGB striped arrangement
Back lighting	Cold Cathode Fluorescent Tube

DVD Section

D/A converter	24Bit
Decoder	Linear PCM/Dolby Digital/dts/MP3/WMA
Wow & Flutter	Below Measurable Limit
Frequency response	
96kHz sampling frequency	20~44,000Hz
48kHz sampling frequency	20~22,000Hz
44.1kHz sampling frequency	20~20,000Hz
Total harmonic distortion (1kHz)	0.01%
Signal to noise ratio	98dB (DVD 96kHz)
Dynamic range	98dB (DVD 96kHz)
DISC format	DVD-Video/VIDEO-CD/CD-DA
Sampling frequency	44.1kHz/48kHz/96kHz
Quantifying bit number	16/20/24bit

FM Tuner Section

Frequency range	
K,R (200kHz)	87.9~107.9MHz
E,X,M (50kHz)	87.5~108.0MHz
Usable sensitivity	
K,R (S/N : 30dB)	9.3dBf (0.8 μ V/75 Ω)
E (S/N : 26dB)	0.7 μ V/75 Ω
X,M (S/N : 26dB)	9.3dBf (0.8 μ V/75 Ω)
Quieting sensitivity	
K,R (S/N : 50dB)	15.2dBf (1.6 μ V/75 Ω)
E,X,M (S/N : 46dB)	15.2dBf (1.6 μ V/75 Ω)
Frequency response (\pm 3.0dB)	30Hz~15kHz
S/N (MONO)	
K,R,X,M	70dB
E	65dB
Selectivity (\pm 400kHz)	\geq 80dB
Stereo separation	
K,R,X,M	40dB (1kHz)
E	35dB (1kHz)

AM Tuner Section: K,R,X

Frequency range	
K,R (10kHz)	530kHz~1700kHz
X (9kHz)	531kHz~1611kHz
Usable sensitivity	28dB μ

LW Tuner Section: E,M

Frequency range (9kHz)	153kHz~281kHz
Usable sensitivity	45 μ V

MW Tuner Section: E,M

Frequency range (9kHz)	531kHz~1611kHz
Usable sensitivity	25 μ V

Video Section

Color system of external video input	
K,R	NTSC
E,X,M	NTSC/PAL
External video input level (RCA jacks)	1Vp-p/75 Ω
External audio max input level (RCA jacks)	2V/25k Ω
Analog RGB input	0.7Vp-p/75 Ω

Audio Section

Maximum power (Front & Rear)	50W x 4
Full Bandwidth Power (Front & Rear)	
K,R,X,M (at less than 1% THD)	22W x 4
E (DIN 45324, +B=14.4V)	30W x 4
Preout level	2V/10k Ω
Preout impedance	600 Ω
Tone action	
Bass	100Hz \pm 10dB
Middle	1kHz \pm 10dB
Treble	10kHz \pm 10dB

General

Operating voltage	14.4V (11V~16V)
Current consumption	15A
Dimensions (W x H x D)	
.....	182 x 112 x 163 (mm) / 7-3/16 x 4-7/16 x 6-7/16 (inch)
Operational temperature range	-10°C~60°C
Storage temperature range	-20°C~85°C
Weight	2.6kg / 5.7 lbs

DANGER:

Please do not look the laser beam directly during repair or operation check.

KENWOOD follows a policy of continuous advancements in development. For this reason specifications may be changed without notice.

US and foreign patents licensed from Dolby Laboratories.

